

Bull

2104 Model DU3 Expandable Storage Plus Operator's Guide

Bull



Bull

2104 Model DU3 Expandable Storage Plus Operator's Guide

Hardware

December 2000

**BULL CEDOC
357 AVENUE PATTON
B.P.20845
49008 ANGERS CEDEX 01
FRANCE**

**ORDER REFERENCE
86 A1 16EF 01**

The following copyright notice protects this book under the Copyright laws of the United States of America and other countries which prohibit such actions as, but not limited to, copying, distributing, modifying, and making derivative works.

Copyright © Bull S.A. 1992, 2000

Printed in France

Suggestions and criticisms concerning the form, content, and presentation of this book are invited. A form is provided at the end of this book for this purpose.

To order additional copies of this book or other Bull Technical Publications, you are invited to use the Ordering Form also provided at the end of this book.

Trademarks and Acknowledgements

We acknowledge the right of proprietors of trademarks mentioned in this book.

AIX[®] is a registered trademark of International Business Machines Corporation, and is being used under licence.

UNIX is a registered trademark in the United States of America and other countries licensed exclusively through the Open Group.

Year 2000

The product documented in this manual is Year 2000 Ready.

Contents

Communications Statements	v
Federal Communications Commission (FCC) Statement	v
Japanese Voluntary Control Council for Interference (VCCI) Statement.	v
Korean Government Ministry of Communication (MOC) Statement	v
New Zealand Compliance Statement	v
International Electrotechnical Commission (IEC) Statement	vi
Avis de conformité à la réglementation d'Industrie Canada	vi
Industry Canada Compliance Statement.	vi
United Kingdom Telecommunications Requirements	vi
European Union (EU) Statement	vi
Radio Protection for Germany	vi
Taiwan Class A Compliance Statement	vii
Safety Notices	ix
Definitions of Safety Notices.	ix
Acoustic Noise Declaration	ix
Electrostatic Discharge (ESD)	xi
About This Book	xiii
If You Need More Information	xiii
Trademarks	xiii
Numbering Convention	xiv
Chapter 1. Using the 2104 Model DU3 or TU3	1
2104 Model DU3	2
2104 Model TU3.	5
Controls and Lights.	7
Disk Drive Module Lights	8
Fan-and-Power-Supply Assembly and Fan Assembly Lights and Switch	11
SCSI Interface Card Lights	14
Switch Card	16
Identifying 2104 Disk Enclosures	20
Identifying Disk Drive Modules.	21
Security	22
Ordering Cover Lock Keys	23
Chapter 2. Adding Disk Drive Modules	25
Before Adding a Disk Drive Module	27
To Add a Disk Drive Module	29
Chapter 3. Exchanging FRUs	35
Exchanging Disk Drive Modules	36
Before Exchanging a Disk Drive Module	37
To Exchange a Disk Drive Module	38
Exchanging a Fan-and-Power-Supply Assembly	45
Before Exchanging a Fan-and-Power-Supply Assembly	45

To Exchange a Fan-and-Power-Supply Assembly	46
Exchanging a Fan Assembly	55
Before Exchanging a Fan Assembly	55
To Exchange a Fan Assembly	56
Exchanging a SCSI Interface Card Assembly	62
Before Exchanging the SCSI Interface Card Assembly	63
To Exchange a SCSI Interface Card Assembly	64
Exchanging the Switch Card Assembly	73
Before Exchanging the Switch Card Assembly	73
To Exchange the Switch Card Assembly	74
Reporting Problems	80
Appendix A. Operating with RISC Systems	81
SCSI Adapters and Cables	81
SCSI Service Aids	81
Identifying a 2104 and its Disk Drive Modules	81
Problem Determination	82
Checking the SCSI Error Log	82
Configuring a 2104 to the using system	82
Unconfiguring a 2104 from the using system	82
Web Support Page	82
Related Publications	82
Appendix B. Translated Safety Notices	83
Index	117

Communications Statements

The following statements apply to this product. The statements for other products intended for use with this product appear in their accompanying manuals.

Federal Communications Commission (FCC) Statement

This equipment has been tested and found to comply with the limits for a Class A digital device, pursuant to Part 15 of the FCC Rules. These limits are designed to provide reasonable protection against harmful interference when the equipment is operated in a commercial environment. This equipment generates, uses, and can radiate radio frequency energy and, if not installed and used in accordance with the instruction manual, may cause interference to radio communications. Operation of this equipment in a residential area is likely to cause harmful interference, in which case the user will be required to correct the interference at his own expense.

Properly shielded and grounded cables and connectors must be used in order to meet FCC emission limits. Neither the provider nor the manufacturer is responsible for any radio or television interference caused by using other than recommended cables and connectors or by unauthorized changes or modifications to this equipment. Unauthorized changes or modifications could void the user's authority to operate the equipment.

This device complies with Part 15 of FCC Rules. Operation is subject to the following two conditions: (1) this device may not cause harmful interference, and (2) this device must accept any interference received, including interference that may cause undesired operation.

Japanese Voluntary Control Council for Interference (VCCI) Statement

This product is a Class A Information Technology Equipment and conforms to the standards set by the Voluntary Control Council for Interference by Information Technology Equipment (VCCI). In a domestic environment, this product might cause radio interference, in which event the user might be required to take adequate measures.

Korean Government Ministry of Communication (MOC) Statement

Please note that this device has been approved for business purposes with regard to electromagnetic interference. If you find that this device is not suitable for your use, you can exchange it for one that is approved for non-business purposes.

New Zealand Compliance Statement

This is a Class A product. In a domestic environment this product might cause radio interference, in which event the user might be required to take adequate measures

International Electrotechnical Commission (IEC) Statement

This product has been designed and built to comply with (IEC) Standard 60950.

Avis de conformité à la réglementation d'Industrie Canada

Cet appareil numérique de la classe A est conforme à la norme NMB-003 du Canada.

Industry Canada Compliance Statement

This Class A digital apparatus complies with IECS-003.

United Kingdom Telecommunications Requirements

This apparatus is manufactured to the International Safety Standard EN60950 and as such is approved in the U.K. under approval number NS/G/1234/J/100003 for indirect connection to public telecommunications systems in the United Kingdom.

European Union (EU) Statement

This product is in conformity with the protection requirements of EU council directive 89/336/EEC on the approximation of the laws of the Member States relating to electromagnetic compatibility. Neither the provider nor the manufacturer can accept responsibility for any failure to satisfy the protection requirements resulting from a non-recommended modification of the product, including the fitting of option cards not supplied by the manufacturer.

This product is in conformity with the EU council directive 73/23/EEC on the approximation of the laws of the Member States relating to electrical equipment designed for use within certain voltage limits. This conformity is based on compliance with the following harmonized standard: EN60950.

Radio Protection for Germany

Zulassungsbescheinigung laut dem Deutschen Gesetz über die elektromagnetische Verträglichkeit von Geräten (EMVG) vom 30. August 1995 (bzw. der EMC EG Richtlinie 89/336):

Dieses Gerät ist berechtigt in Übereinstimmung mit dem Deutschen EMVG das EG-Konformitätszeichen - CE - zu führen. Verantwortlich für die Konformitätserklärung nach Paragraph 5 des EMVG ist die:

IBM Deutschland Informationssysteme GmbH, 70548 Stuttgart.

Informationen in Hinsicht EMVG Paragraph 3 Abs. (2) :

Das Gerät erfüllt die Schutzanforderungen nach EN 50082-1 und EN 55022 Klasse A.
--

EN 55022 Klasse A Geräte müssen mit folgendem Warnhinweis versehen werden:
"Warnung: dies ist eine Einrichtung der Klasse A. Diese Einrichtung kann im

Wohnbereich Funkstörungen verursachen; in diesem Fall kann vom Betreiber verlangt werden, angemessene Massnahmen durchzuführen und dafür aufzukommen."

EN 50082-1 Hinweis:

"Wird dieses Gerät in einer industriellen Umgebung betrieben (wie in EN 50082-2 festgelegt), dann kann es dabei eventuell gestört werden. In solch einem Fall ist der Abstand bzw. die Abschirmung zu der industriellen Störquelle zu vergrössern."

Anmerkung:

Um die Einhaltung des EMVG sicherzustellen sind die Geräte, wie in den Handbüchern angegeben, zu installieren und zu betreiben.

Taiwan Class A Compliance Statement

警告使用者:

這是甲類的資訊產品，在居住的環境中使用時，可能會造成射頻干擾，在這種情況下，使用者會被要求採取某些適當的對策。

Safety Notices

For a translation of the *danger* and *caution* notices contained in this book, see “Appendix B. Translated Safety Notices” on page 83.

Definitions of Safety Notices

A *danger* notice indicates the presence of a hazard that has the potential of causing death or serious injury.

A *danger* notice appears on page 50.

A *caution* notice indicates the presence of a hazard that has the potential of causing moderate or minor personal injury.

Caution notices appear on pages 47, 49, 58, 67, 69, and 76.

An *attention* notice indicates an action that could cause damage to a program, device, system, or data.

Acoustic Noise Declaration

The equivalent continuous A-weighted sound pressure level at the bystander’s position measured for a 2104 Model DU3 or TU3 does not exceed 68 dB(A). This level has been measured under the following conditions:

- Rack-mounted unit:
 - The 2104 Model DU3 had fourteen disk drive modules installed.
 - The 2104 Model DU3 was installed in a 7202 Rack with the bottom of the 2104 Model DU3 system at EIA position 17.
 - The remainder of the rack was filled with units to which power was not connected.
- Deskside unit:
 - The 2104 Model TU3 had fourteen disk drive modules installed.

These levels were measured using a procedure in accordance with ISO standard DIS7779, *Measurement of Airborne Noise Emitted by Computer and Business Equipment*. The equipment was installed and operated as described in Appendix C.8 of that standard.

Electrostatic Discharge (ESD)

Attention:

When you handle field-replaceable units (FRUs) and other computer parts, take these precautions to avoid static damage:

- **Limit your movement. Movement can cause static electricity to build up around you.**
- **Always touch computer parts carefully. Hold adapters and memory-modules by their edges. Never touch any exposed circuits.**
- **Prevent people who are not correctly grounded from touching computer parts.**
- **Before you install a new part, touch the static-protective package that contains the part against an unpainted metal part of the 2104 or using system for at least two seconds. This action reduces static electricity in the package and in your body.**
- **Remove the part from its package and, if possible, install it directly into the 2104 without putting the part down. If you need to put the part down, first place the static-protective package that contained the part onto a smooth, level surface, then place the part onto the package. Do not place the part onto any metal surface.**

About This Book

This book is for people who operate a system that has one or more 2104 Model DU3 or TU3 connected to it.

Throughout this book, *service representative* means a person who has been authorized by your organization to maintain your 2104 Model DU3 or TU3.

Chapter 1 describes the 2104 Models DU3 and TU3, their controls, and how to use them.

Chapter 2 describes how to add disk drive modules to a 2104 Model DU3 or TU3 that is already installed as part of your system.

Chapter 3 describes what to do if you have a problem with your 2104 Model DU3 or TU3. It tells you how to replace particular failed components, such as disk drive modules, and what to report if you need to call your service representative for assistance.

Appendix A gives additional information about using a 2104 Model DU3 or TU3 that is attached to a RISC system.

Appendix B gives a translation of all danger and caution notices contained in this book.

An index is provided at the back of this book.

If You Need More Information

Other books that you might need are:

- *Expandable Storage Plus : 2104 Model DU3 Installation Guide*, 86 A1 15EF
- *Expandable Storage Plus : 2104 Model TU3 Installation Guide*,
- *Expandable Storage Plus : 2104 Models DU3 and TU3 Service Guide*, 86 A1 17EF
- The *Operator Guide* for your system
- The *User's Guide* for your using-system SCSI attachment (for example, your SCSI adapter)
- The *Site and Hardware Planning Information* for your system
- The *Problem Solving Guide and Reference* for your system.

Trademarks

The following items are trademarks of International Business Machines Corporation in the United States, or other countries, or both:

- AIX
- IBM
- RS/6000

• @

Numbering Convention

In this book:

KB means 1 000 bytes.

MB means 1 000 000 bytes.

GB means 1 000 000 000 bytes.

Chapter 1. Using the 2104 Model DU3 or TU3

Important: The installation of this product is a customer responsibility.

Attention: Before continuing with any of the actions described in this book, please refer to “Safety Notices” on page ix.

This section describes the Expandable Storage Plus: 2104 Models DU3 and TU3, their controls, and how to use them. A 2104 Model DU3 or TU3 can be attached to any supported RS/6000™ or IBM

@_{TM} server

computer that provides support for any of the Small Computer System Interface (SCSI) adapters listed in “SCSI Adapters and Cables” on page 81.

The 2104 Models DU3 and TU3 look like this:

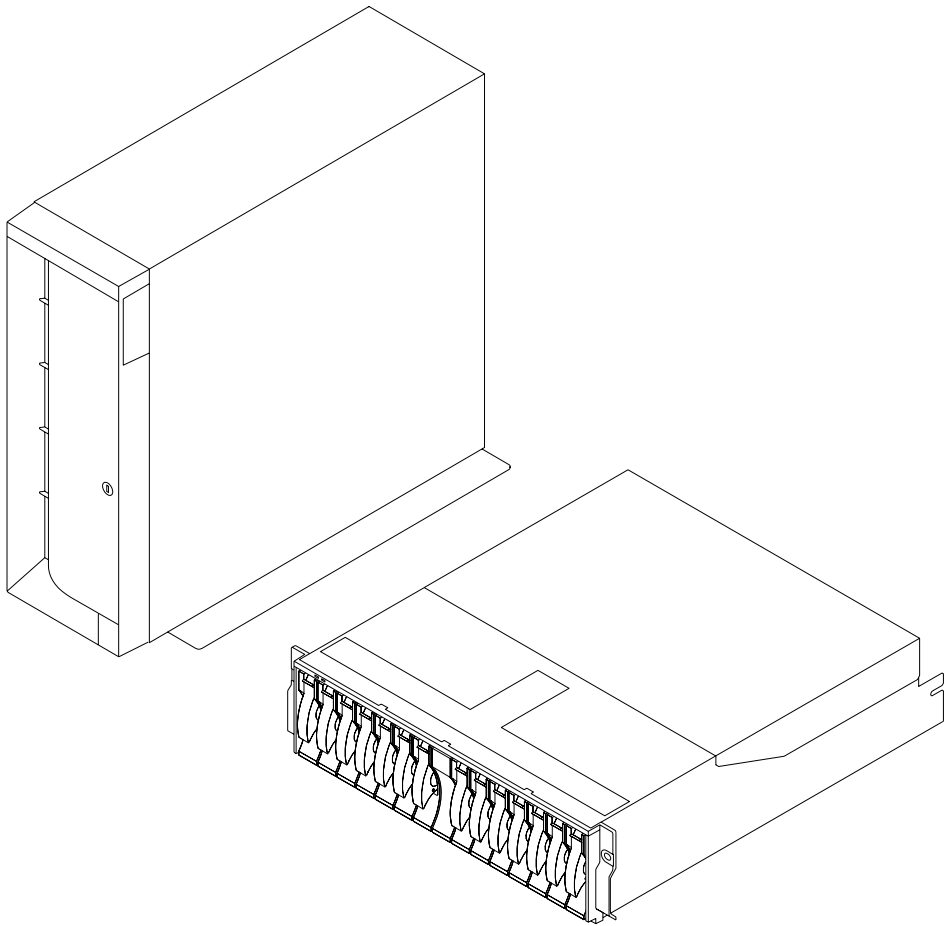


Figure 1. 2104 Model TU3 (Left) and 2104 Model DU3 (Right)

2104 Model DU3

The 2104 Model DU3 is a rack-mounted SCSI disk enclosure that can be installed into a standard Electrical Industries Association (EIA) 19-inch rack.

A fully configured 2104 Model DU3 looks like this:

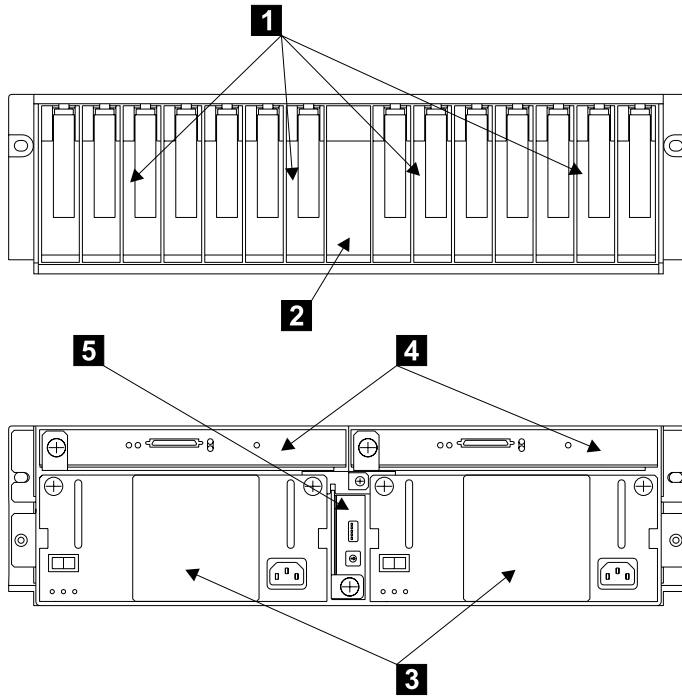


Figure 2. 2104 Model DU3 from the Front (Top) and Back (Bottom)

At the front of a 2104 Model DU3 there are 14 device slots **1**. Each slot must contain either a SCSI disk drive module, or a dummy disk module. Each disk drive module connects to a backplane which is mounted vertically about halfway between the front and back of the 2104 Model DU3.

Note: To run I/O at least one SCSI disk drive module must be present in each 2104 Model DU3.

The 14 device slots are divided into two groups of seven slots. Between the two groups of seven slots there is a SCSI bridge card **2**. The SCSI bridge card assigns the disk drive modules to a SCSI bus, in accordance with the setting of the SCSI bus split switch on the switch card **5**.

On the back of the backplane are connectors for two fan-and-power-supply assemblies **3**, two SCSI interface cards **4**, and a switch card **5**.

The 2104 Model DU3 has either two fan-and-power-supply assemblies or one fan-and-power-supply assembly and one fan assembly. Either option provides all the necessary power and cooling for the 2104 Model DU3.

It is better, however, to have two fan-and-power-supply assemblies, rather than one fan-and-power-supply assembly and one fan assembly, because then the amount of power required from each power supply is reduced, and, if one power supply fails, power for the 2104 disk enclosure continues to be supplied by the other power supply.

The SCSI interface cards **4** are used to connect host machines to the 2104 Model DU3. These cards contain logic that provides information about what is happening in the 2104 Model DU3 and the status of components within it.

The switch card **5** contains switches that control which SCSI bus mode is selected, how the 2104 Model DU3 is supplied with power, and what enclosure services are enabled. It also contains a rotary switch that sets the ID of the 2104 Model DU3.

Options for configuring a 2104 Model DU3 are described in the *Expandable Storage Plus: 2104 Model DU3 Installation Guide*.

2104 Model TU3

The 2104 Model TU3 is a deskside SCSI disk enclosure.

A fully configured 2104 Model TU3 looks like this:

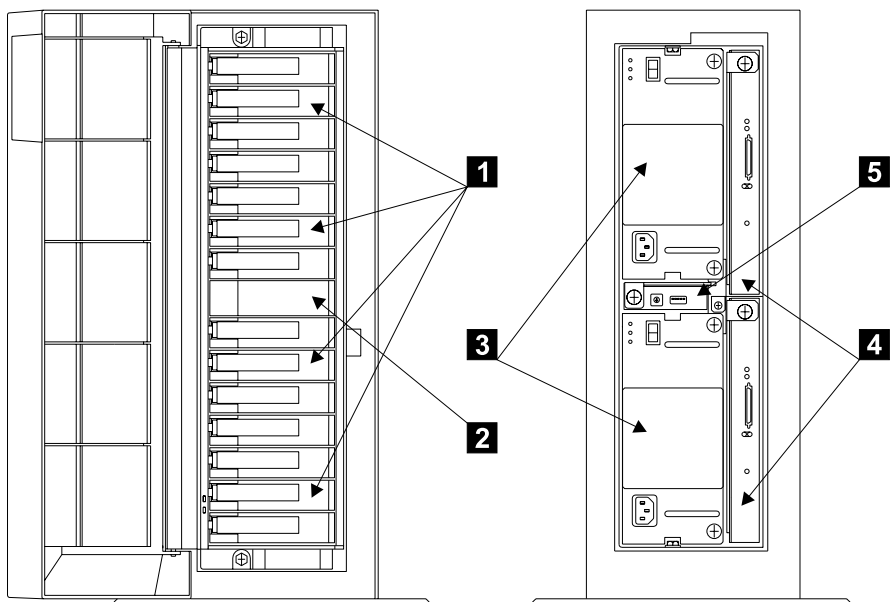


Figure 3. 2104 Model TU3 from the Front (Left) and Back (Right)

At the front of a 2104 Model TU3 are 14 device slots **1**. Each slot must contain either an SCSI disk drive module, or a dummy module. Each disk drive module connects to a backplane that is mounted vertically about halfway between the front and back of the 2104 Model TU3.

Note: To run I/O at least one SCSI disk drive module must be present in each 2104 Model TU3.

The 14 device slots are split into two groups of seven slots. Between the two groups of slots, there is a SCSI bus bridge card **2**. The SCSI bus bridge card assigns the disk drive modules to a SCSI bus, in accordance with the setting of the SCSI bus split switch on the switch card **5**.

On the back of the backplane are connectors for two fan-and-power-supply assemblies **3**, two SCSI interface cards **4**, and a switch card **5**.

The 2104 Model TU3 can have either two fan-and-power-supply assemblies or one fan-and-power-supply assembly and one fan assembly. Either option provides all the necessary power and cooling for the 2104 Model TU3.

It is better, however, to have two fan-and-power-supply assemblies, rather than one fan-and-power-supply assembly and one fan assembly, because then the amount of power required from each power supply is reduced, and, if one power supply fails, power for the 2104 disk enclosure continues to be supplied by the other power supply.

The SCSI interface cards **4** are used to connect host machines to the 2104 Model TU3. These cards contain logic that provides information about what is happening in the 2104 Model TU3, and controls the operation of the subsystem.

The switch card **5** contains switches that control which SCSI bus mode is selected, how the 2104 Model TU3 is supplied with power, and what enclosure services are enabled. It also contains a rotary switch that is used to set the ID of the 2104 Model TU3.

Options for configuring a 2104 Model TU3 are described in the *Expandable Storage Plus: 2104 Model TU3 Installation Guide*.

Controls and Lights

This section describes the switches and lights on a 2104 Model DU3 or TU3.

The 2104 has no main power switch. However, each fan-and-power-supply assembly has an On/Standby switch.

You can see the 2104 lights at the front of the 2104 Model DU3 or TU3.

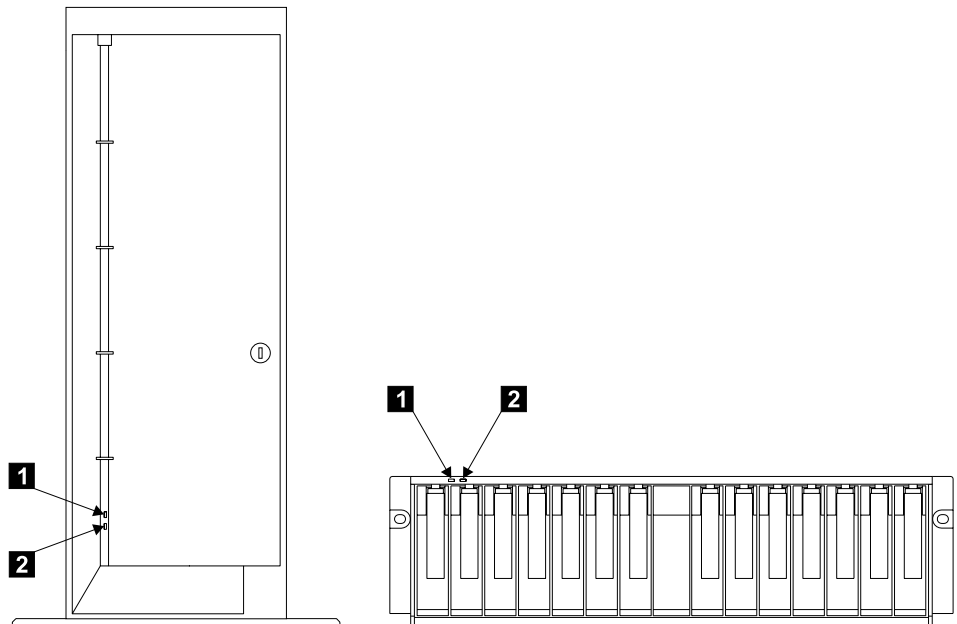


Figure 4. Disk Enclosure Lights on a 2104 Model TU3 (Left) and a 2104 Model DU3 (Right)

Power light 1

The Power light, which is green, comes on and stays on continuously when power is supplied to the 2104 by one or both of the fan-and-power-supply assemblies within the 2104.

Check light 2

The Check light, which is amber, comes on if a failure occurs in the 2104.

Note: The 2104 might be able to continue operating correctly even when the failure of a single part has been detected.

Disk Drive Module Lights

The lights on the disk drive modules that are installed in a 2104 Model DU3 are visible at the front of the 2104 Model DU3.

However, to see the lights on the disk drive modules that are installed in a 2104 Model TU3, open the front cover:

1. If necessary, unlock the cover by using the key provided.
2. Grip the right-hand side of the front cover, and pivot the cover to the left.

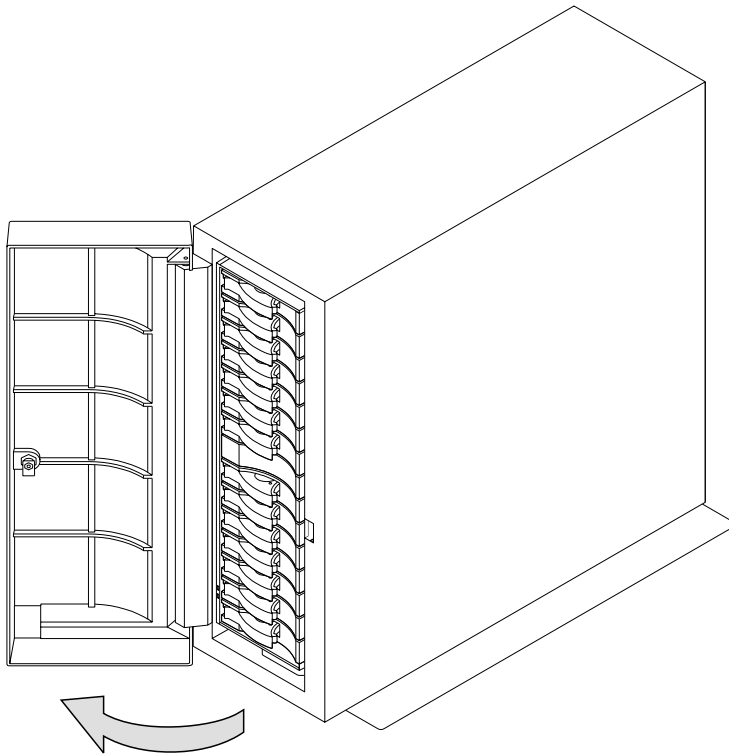


Figure 5. 2104 Model TU3 with Cover Opened

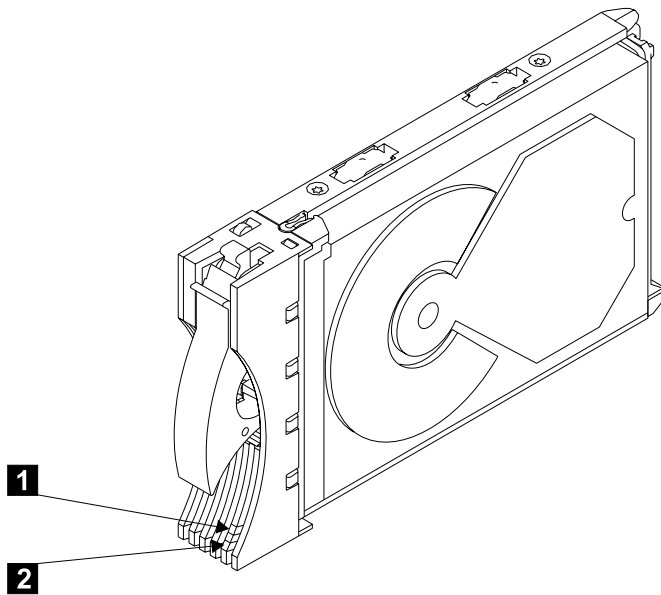


Figure 6. Disk Drive Module Lights

Each disk drive module has two lights:

1 Activity light

The Activity light, which is green, shows the following conditions:

Off The SCSI link to the disk drive is not active.

Flashing

This disk drive module is active and a command is in progress.

2 Check light

The Check light, which is amber, shows the following conditions:

Off Normal operating condition

Permanently On

One of the following conditions:

- The service aid has set **Remove** for this disk drive module (See “Appendix A. Operating with RISC Systems” on page 81).
- The disk drive has reported a Predictive Failure Analysis (PFA) error; this error indicates that the disk drive has had an excessive number of internally recovered errors.
- The disk drive is faulty; this is a Conner/Intel SCSI-Accessed Fault-Tolerant Enclosures (SAF-TE) function.

Flashing (2 seconds on, 2 seconds off)

The Check light has been set by a SCSI service aid to identify the position of this disk drive module.

Flashing (0.25 seconds on, 0.25 seconds off)

The disk drive is part of an array that is being rebuilt (this is a SAF-TE function).

Note:SAF-TE services are not used with RS/6000 or IBM

@server

pSeries computers.

Fan-and-Power-Supply Assembly and Fan Assembly Lights and Switch

Either one or two fan-and-power-supply assemblies **1** are installed in the back of a 2104 Model DU3 or TU3.

The power switch and lights are visible at the back of the 2104.

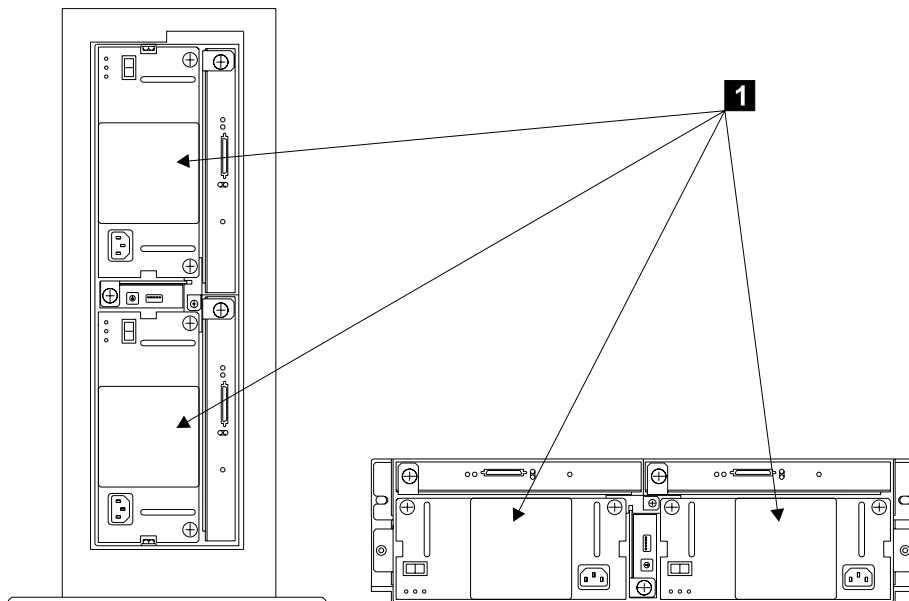


Figure 7. Fan-and-Power-Supply Assemblies in a 2104 Model TU3 (Left) and 2104 Model DU3 (Right)

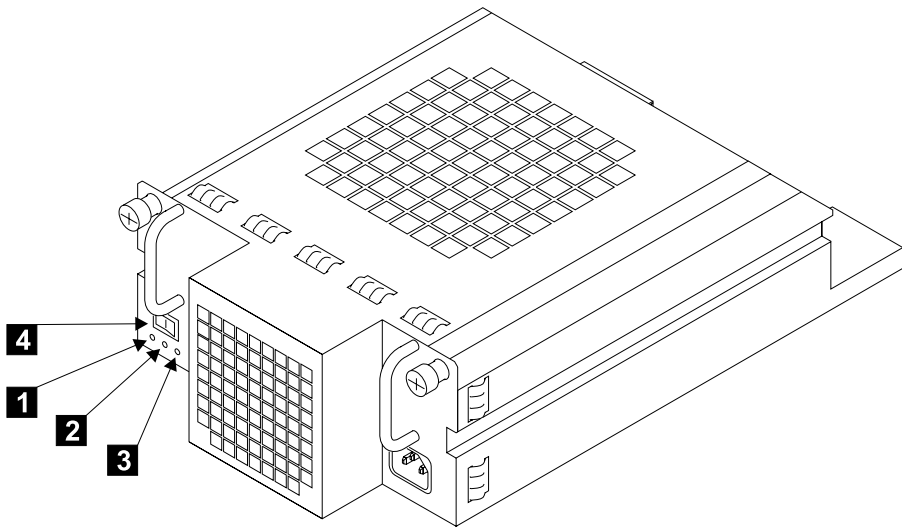


Figure 8. Fan-and-Power-Supply Assembly Lights and Switch

A fan-and-power-supply assembly has the following lights and switch:

AC PWR light 1

The AC PWR light, which is green, comes on when the mainline power supply is connected to the fan-and-power-supply assembly.

DC PWR light 2

The DC PWR light, which is green, comes on when this fan-and-power-supply assembly is supplying power to the 2104.

CHK light 3

The CHK light, which is amber, indicates either that there is a failure in the fan-and-power-supply assembly or that the DC On/Standby switch is set to Standby.

Note: This light flashes when the failure in the fan-and-power-supply assembly is a fan failure.

DC On/Standby switch 4

The DC On/Standby switch connects dc electrical power from the fan-and-power-supply assembly to the disk drives and other components in the 2104. This switch must be set to on for the fan-and-power-supply unit to start.

If the DC On/Standby switch on either of the two fan-and-power-supply assemblies is set to on, power in a 2104 Model DU3 or TU3 unit is switched on automatically if all of the following conditions exist:

- Input power to the 2104 is present.
- The fan-and-power-supply assembly is fully home in its slot.

- **Either** the power control switch on the switch card is set to on, **or** terminator power is active in an external SCSI connection.

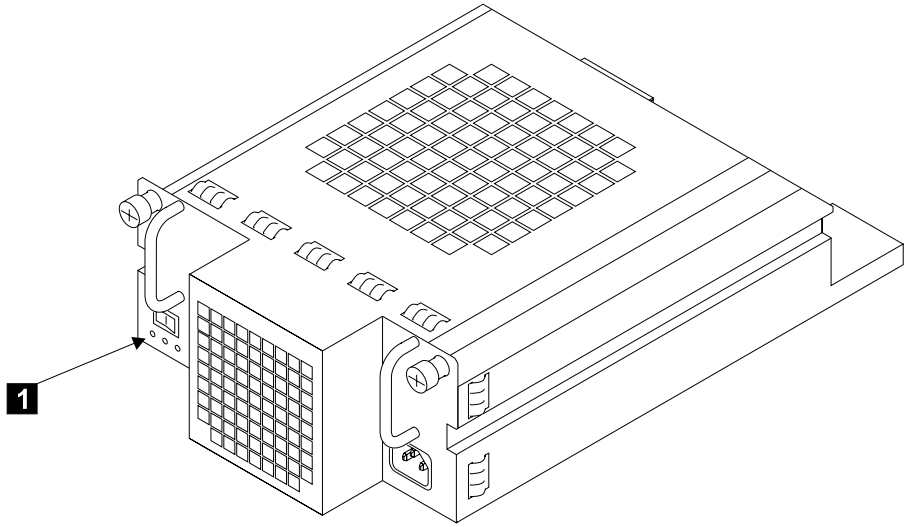


Figure 9. Fan Assembly

A fan assembly has one light:

CHK light 1

The CHK light, which is amber, flashes when the fan fails.

SCSI Interface Card Lights

Up to two SCSI interface **1** cards can be installed in the back of a 2104.

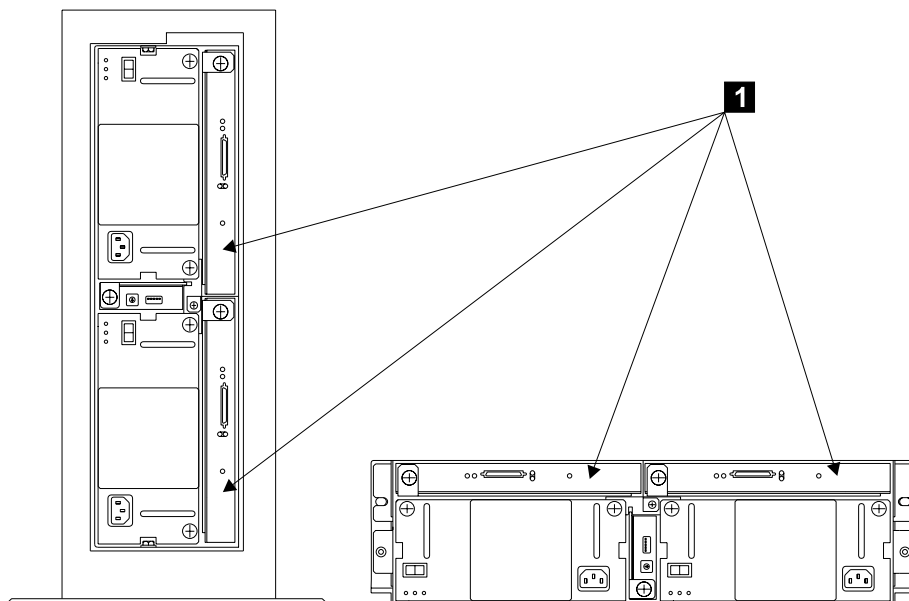


Figure 10. SCSI Interface Cards in a 2104 Model TU3 (Left) and 2104 Model DU3 (Right)

An SCSI interface card has the following lights:

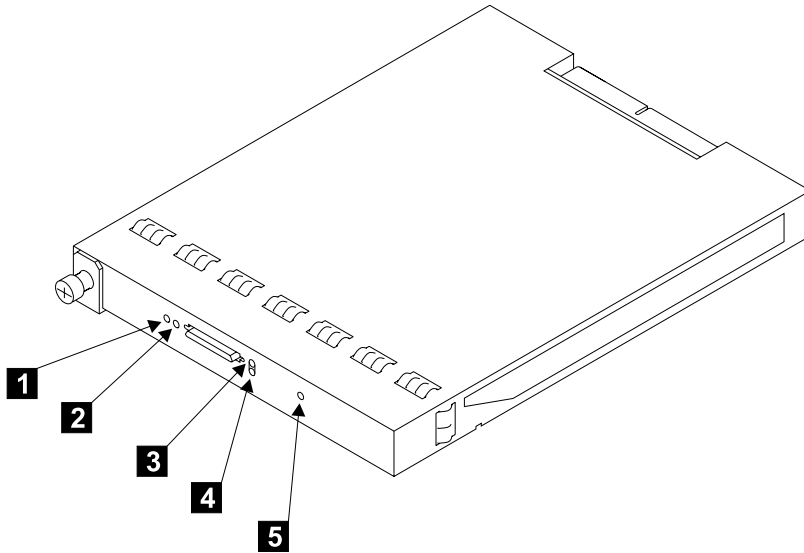


Figure 11. SCSI Interface Card Assembly Lights

TERM POWER light 1

The TERM POWER light, which is green, is lit when an active SCSI connection is present.

LVD/SE light 2

The LVD/SE light indicates the type of host SCSI cable. It is green, and when lit indicates an active Low Voltage Differential (LVD) SCSI connection. If this light is off and the TERM POWER light is on, there is an active single-ended (SE) SCSI connection.

ACTIVE light 3

The ACTIVE light, which is green, is lit when the using system is communicating with the SCSI Enclosure Services (SES) processor or the disk drives.

RESET light 4

The RESET light, which is green, comes on when a Power On Reset (POR) or a SCSI Bus Reset occurs. This light is switched off by the SES processor.

FAULT light 5

The FAULT light, which is amber, comes on if the SCSI interface card fails.

Switch Card

A Switch Card **1** is installed in the back of a 2104.

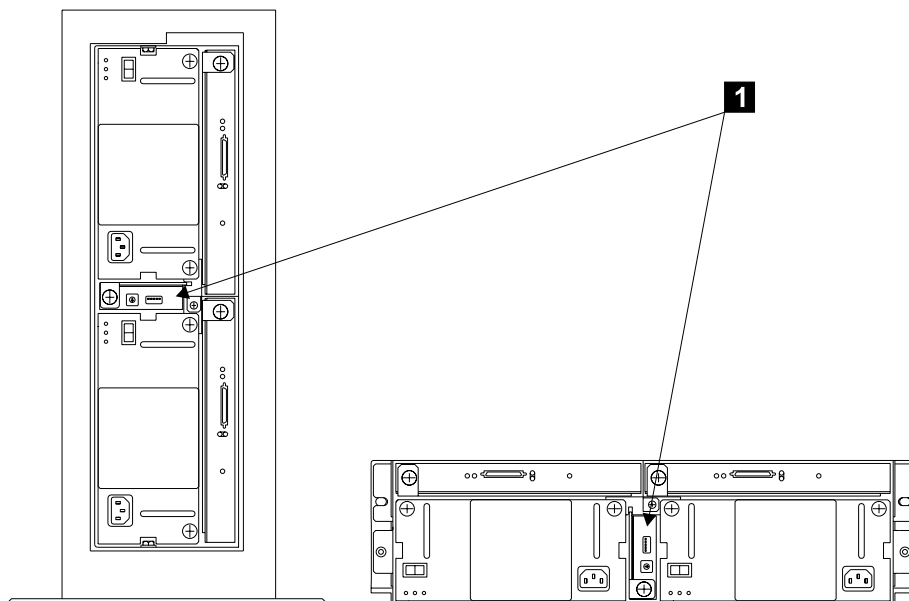


Figure 12. Switch Card in a 2104 Model TU3 (Left) and 2104 Model DU3 (Right)

Refer to Figure 13 to identify the switches on the switch card.

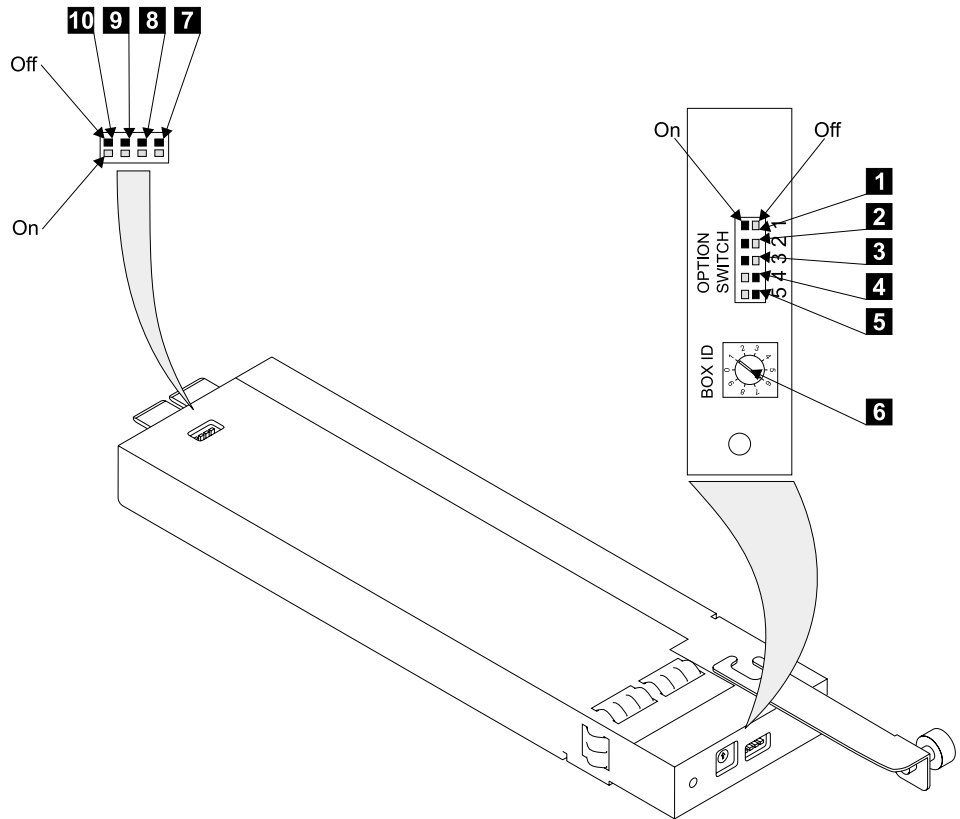


Figure 13. Switch Card

The switch card contains the following switches that are accessible to the operator.

Note: The "default logical setting" of a switch is the setting that is used if the switch card assembly is not present when the 2104 is switched on, or when a reset operation occurs.

Power Control switch 1

When this switch is set to Off, the 2104 automatically switches off or on when the using system is switched off or on.

When this switch is set to On, the 2104 is powered up or down by the DC On/Standby switch on a fan-and-power-supply assembly.

The default logical setting for this switch is On.

Drive Autostart switch 2

The disk drive motors are controlled by the combination of this switch and the Delay Motor Start Switch 5.

When this switch is set to On, and the Delay Motor Start Switch **5** is set to Off, the disk drive motors do not start until a START MOTOR command is issued. The timing sequence of disk motor startup is under the control of the using system software.

When this switch is set to Off, and the Delay Motor Start Switch **5** is set to On, the disk drives are set to Delay Motor Start mode. The disk motor startup delay time is different for each disk drive and is usually computed by multiplying 12 seconds by its SCSI ID. For example, the disk drive motor of a disk drive having a SCSI ID equal to two will start 24 (2 x 12) seconds after power is applied to the 2104.

When this switch is set to Off, and the Delay Motor Start Switch **5** is set to Off, the disk drives are set to Normal Start mode. The disk drive motors will start when power is applied to the 2104.

The effect of both this switch and the Delay Motor Start Switch **5** being set to On is undefined.

The default logical setting for this switch is On.

Enable Enclosure Services switch **3**

When this switch is set to On, the enclosure services can operate.

When the switch is to Off, no response occurs to any request to use the enclosure services.

The default logical setting for this switch is On.

Select Enclosure Services switch **4**

This switch selects which enclosure services can be used — SAF-TE or SES.

When set to Off, it selects SAF-TE.

When set to On, it selects SES.

The default logical setting for this switch is On.**Note:**SAF-TE services are not used with RS/6000 or IBM

@server

pSeries computers.

Delay Motor Start switch **5**

Refer to the explanation of the Drive Autostart Switch **2**.

The default logical setting for this switch is Off.

Box ID switch **6**

This 10-position rotary switch indicates the ID of the 2104. The operator selects the required setting which can be used by the SES Inquiry command and the SAF-TE buffer 1 command.

The default logical setting for this switch is 0.**Note:**SAF-TE services are not used with RS/6000 or IBM

@server

pSeries computers.

The switch card has other switches that are accessible only when the switch card is removed from the 2104. They should only be changed when the 2104 is being converted from a Model DU3 to a Model TU3, or from a Model TU3 to a Model DU3.

SCSI Address switch 7

When this switch is set to Off, which is its default setting in a 2104 Model DU3, the SCSI addresses of the disk drives are 0, 1, 2, 3, 4, 5, 6, 8, 9, 10, 11, 12, 13, 14, from left to right. When the switch is set to On, these addresses are reversed.

Note: This setting, On, is not supported in a 2104 Model TU3 or 2104 Model DU3.

Orientation switch 8

This switch should be set to Off in a 2104 Model DU3, and to On in a 2104 Model TU3. Its setting determines the position of the Power and Check lights on the 2104.

SCSI Bus Split switch 9

This switch controls the SCSI bus configuration. When the switch is set to Off, the 2104 is configured as a single SCSI bus. When the switch is set to On, the 2104 is configured as a dual (or split) SCSI bus. In a 2104 Model DU3, with this switch set to On and the SCSI address switch set to Off, the SCSI addresses of the disk drives are 0, 1, 2, 3, 4, 5, 6, from left to center, on one SCSI bus, and 8, 9, 10, 11, 12, 13, 14, from center to right, on the other SCSI bus.

The default logical setting for this switch is Off.

Reserved 10

This switch should be set to Off.

Identifying 2104 Disk Enclosures

The Box ID switch on the switch card is a 10-position rotary switch that indicates the ID of the 2104. Its setting is used by the SES Inquiry command or the SAF-TE buffer 1 command.

Labels are supplied with the 2104 to enable the operator to identify each 2104. It is recommended that the label that represents the ID set by the Box ID switch is attached to the front of the 2104.

Identifying Disk Drive Modules

You can identify a disk drive module by the serial number that appears on a label **1** on the front of the module:

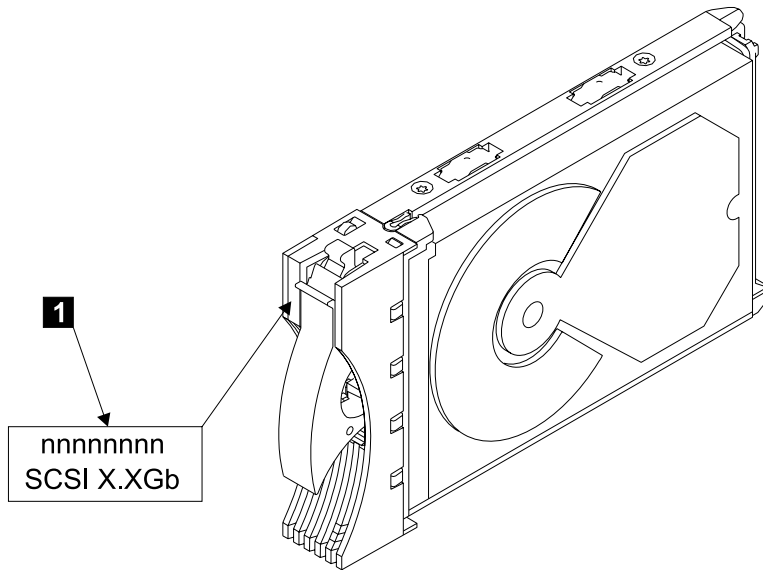


Figure 14. Disk Drive Module Label

This label also shows the size of the disk drive.

Each disk drive module also has a SCSI address that is related to its position in the 2104.

The addresses used are 0, 1, 2, 3, 4, 5, 6, 8, 9, 10, 11, 12, 13 and 14. These addresses are usually assigned, in sequence, from left to right in the 2104 Model DU3 and from top to bottom in the 2104 Model TU3.

Security

On the 2104 Model TU3, a lock **1** on the front cover provides physical security for the disk drives. You do not need to remove this cover during normal operations. If you lock the cover, it cannot be opened for servicing without the use of the key. You do not need to lock the cover for it to stay closed. The 2104 Model DU3 has no cover or lock.

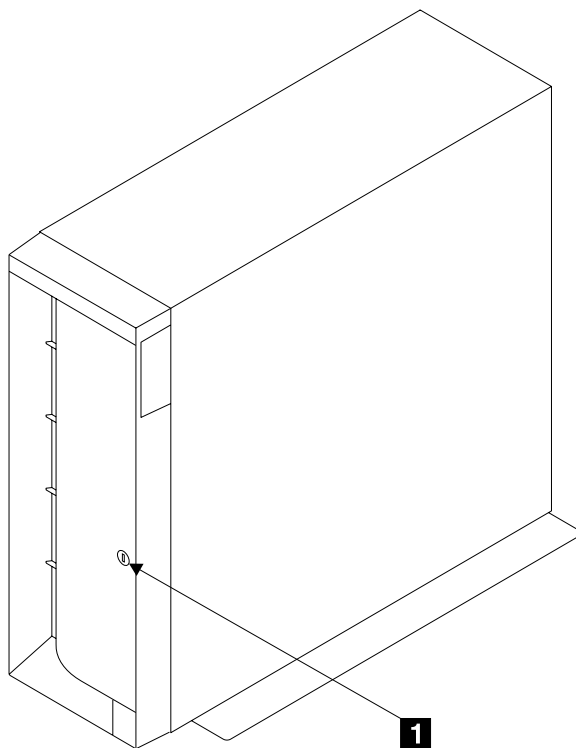


Figure 15. 2104 Model TU3 Lock

Ordering Cover Lock Keys

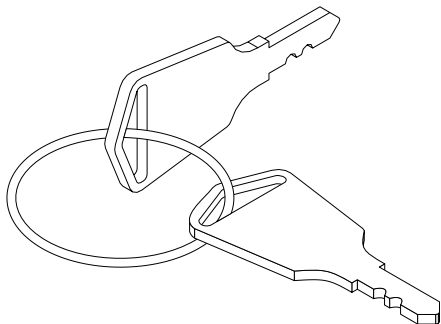


Figure 16. Cover Lock Keys

For protection against unauthorized key duplication, the cover lock is a high-security lock. Keys (see Figure 16) for these locks are a factory-restricted series and duplicate keys are *not* available through normal commercial channels. The serial number of the lock is stamped on each key. Make a note of this number. The additional key supplied, and your note of its number, should be stored in separate secure areas.

If you lose the key, or it becomes faulty, a replacement key can be purchased from the Illinois Lock Company.

Their address is:

Illinois Lock Company,
301, W. Hintz Road,
Wheeling, Illinois 60090.

Phone: (800) 299-5880 (inside USA)
001-847-537-1800 (from outside USA)

FAX: 001-847-537-1881

e-mail: illock@aol.com

website: www.illinoislock.com

Chapter 2. Adding Disk Drive Modules

This chapter describes how to add disk drive modules to a 2104 that is already installed as part of your system.

You can do this only if:

1. You are authorized by your organization.
2. You have the correct disk drive module. Refer to Figure 17. This disk drive module has, at the front, a handle **1** that can be pulled upward to open. The disk drive module should also be the correct size. The size of a disk drive module is shown on a label **2** at the front of the disk drive module. The label is shown in more detail in Figure 14 on page 21.

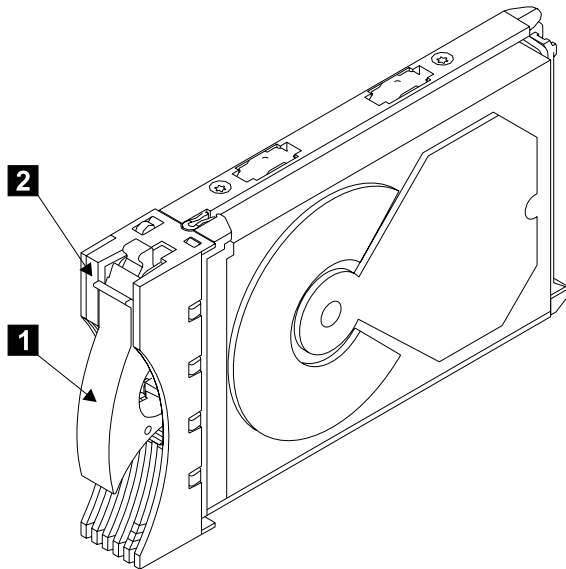


Figure 17. Disk Drive Module Handle and Label

Attention:

- Disk drive modules are fragile. Handle them with care. Keep them well away from strong magnetic fields.
- Any slot that has no disk drive module installed must contain a dummy disk drive module. The dummy module ensures that the correct airflow is maintained around the disk drive modules in the other slots. If a slot remains empty, overheating might occur.

You do not need to remove power from the 2104 when adding a disk drive module.

After you have added a disk drive module to a 2104, you must add it into your system software configuration by using the system programs. Refer to “Appendix A. Operating with RISC Systems” on page 81.

Before Adding a Disk Drive Module

1. Identify the slot for the new disk drive module by using the configuration planning information for your system. A dummy disk drive module should be in the slot. Refer to Figure 18.

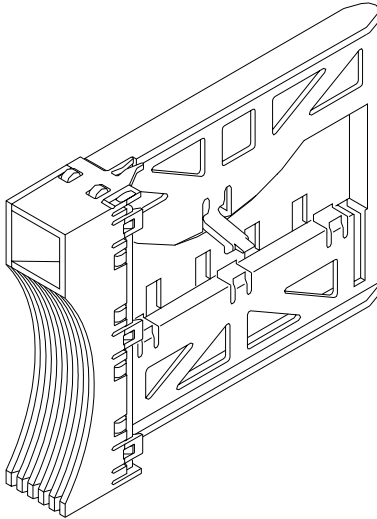


Figure 18. Dummy Disk Drive Module

Use the SCSI Device Identification and Removal service aid to set the disk drive slot to **Insert**. If you then remove the dummy disk drive module from the identified slot, an amber light on the backplane should be visible. This verifies that you have selected the correct slot into which to add the new disk drive module. This light goes off when a disk drive module is added. If it does not, it is visible as the amber Check light on the disk drive module that you have added.

2. If you are adding a disk drive module into a 2104 Model TU3, open the front cover of the unit:
 - a. If necessary, unlock the cover using the key provided.
 - b. Grip the right-hand side of the cover and pivot the cover to the left.

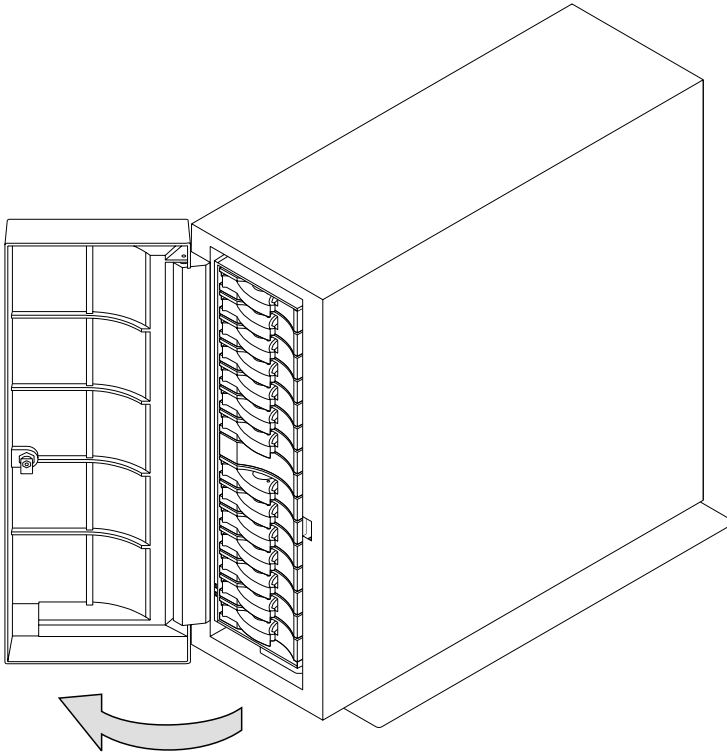


Figure 19. Disk Drive Modules in a 2104 Model TU3

To Add a Disk Drive Module

The diagrams in the following instructions show a 2104 Model DU3. The steps for adding a disk drive module into a 2104 Model TU3 are the same, but the parts are turned through 90 degrees.

1. Pull the dummy module out of the 2104.

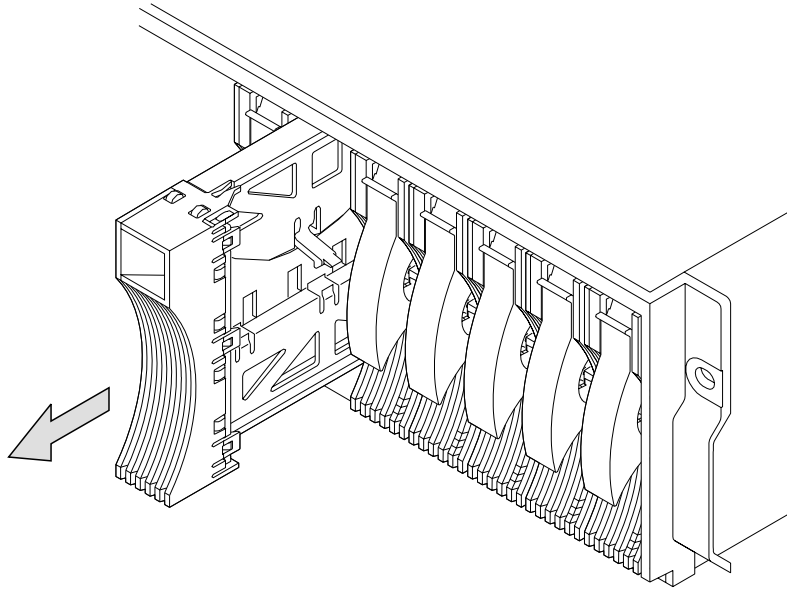


Figure 20. Removing a Dummy Module

Attention: Do not leave the slot empty for more than 30 minutes. If you do, the 2104 and its disk drive modules might overheat and be damaged.

2. With one hand supporting the base of the disk drive module and the other hand holding the handle **1**, insert the module and push it into the slot.
When the handle touches the front surface of the enclosure, the module stops. However, the module is not yet fully home.

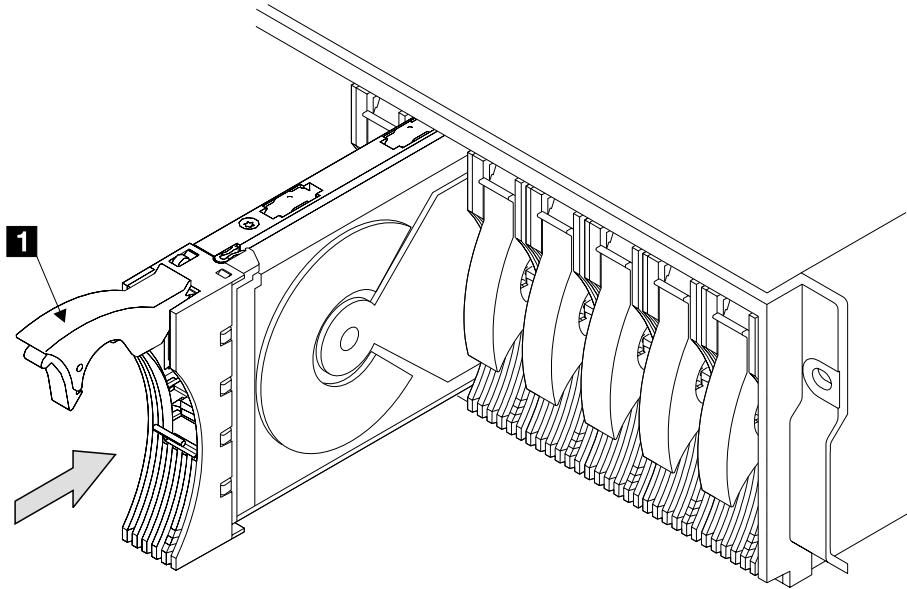


Figure 21. Adding a Disk Drive Module

3. While continuing to push the disk drive module into the slot, slowly close the handle **1** until it stops with a click. This action pushes the module fully home.

Attention: The fans might decrease in speed.

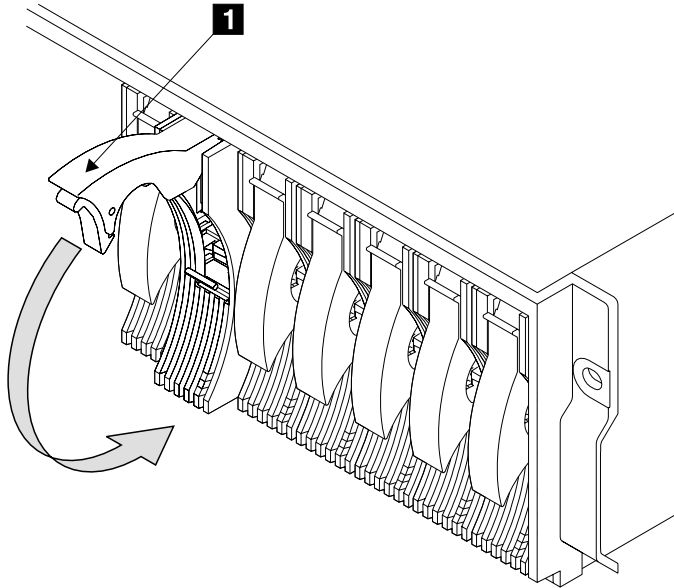


Figure 22. Closing the Handle of a Disk Drive Module

4. Verify that the disk drive module that you have just installed is aligned with the sides of the 2104, and that there is no gap between this module and the modules that are next to it.

Verify also that the front edge of this disk drive module aligns with the front edges of the modules next to it.

If the disk drive module is not correctly aligned, remove it (see step 2 on page 39) and reinstall it (steps 2 through 3 above).

5. If the amber check light **2** comes on, first verify that the new disk drive module has been correctly installed, and then run diagnostics in Problem Determination mode to check the error log. See “Appendix A. Operating with RISC Systems” on page 81.

Note: The green activity light **1** does not come on until disk activity begins.

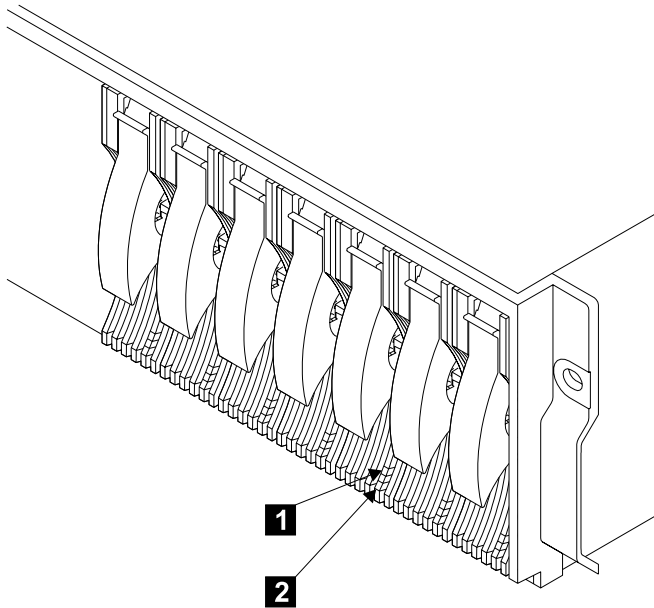


Figure 23. Disk Drive Module Lights

6. If you have just added a disk drive module to a 2104 Model TU3, close the cover and, if required, lock it with the key provided.

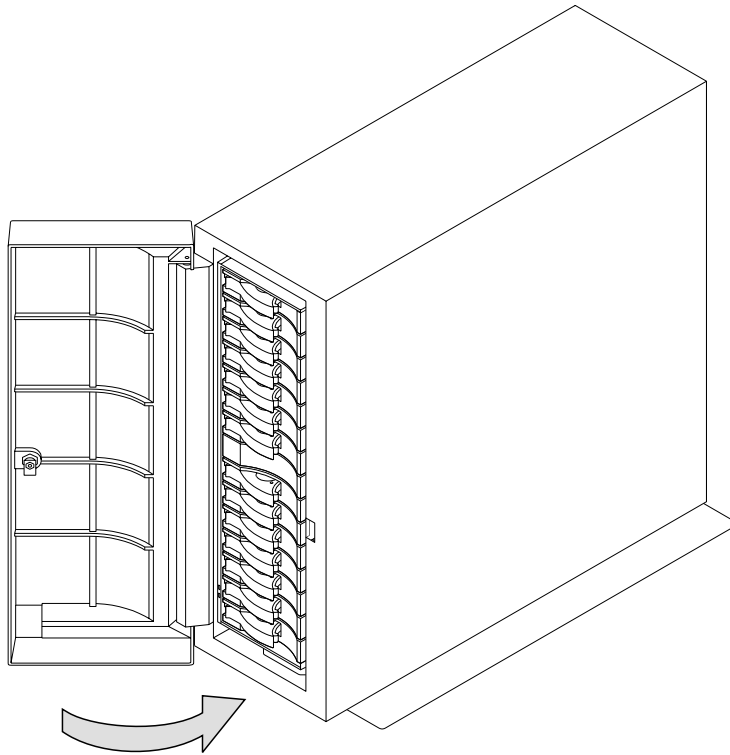


Figure 24. Closing the Cover of a 2104 Model TU3

7. Add the new disk drive module into your system software configuration, using the system programs. Refer to “Appendix A. Operating with RISC Systems” on page 81.

Chapter 3. Exchanging FRUs

This chapter describes what to do if you need to exchange a Field Replaceable Unit (FRU) of your 2104 Model DU3 or TU3. A disk drive module, a fan-and-power-supply assembly, a fan assembly, a SCSI interface card, a switch card, and a SCSI bus bridge card are all FRUs in the 2104 Model DU3 or TU3.

If you need to exchange the SCSI bus bridge card, please refer to *Expandable Storage Plus: 2104 Models DU3 and TU3 Service Guide*

Exchanging Disk Drive Modules

Sometimes, you can exchange a faulty disk drive module without the assistance of a service representative. You can do this only if:

- You are authorized by your organization.
- You have the correct disk drive module. Refer to Figure 25. This disk drive module has, at the front, a handle **1** that can be pulled upward to open. The disk drive module should also be the correct size. The size of a disk drive module is shown on a label **2** at the front of the disk drive module. The label is shown in more detail in Figure 14 on page 21.

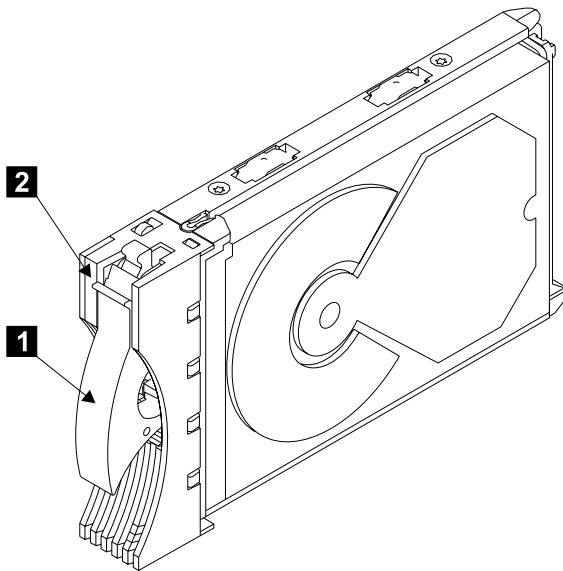


Figure 25. Disk Drive Module Handle and Capacity

Attention:

- Disk drive modules are fragile. Handle them with care. Keep them well away from strong magnetic fields.
- Any slot that has no disk drive module installed must contain a dummy disk drive module. The dummy module ensures that the correct airflow is maintained around the disk drive modules in the other slots. If a slot remains empty, overheating might occur.

You do not need to remove power from the 2104 when exchanging a disk drive module.

After you have exchanged a disk drive module in a 2104, you must restore it into your system by using the system programs.

Before Exchanging a Disk Drive Module

1. Use the system error log to identify the faulty disk drive module. “Appendix A. Operating with RISC Systems” on page 81 describes how to do this if you have a RISC-based system.
2. Find the failing disk drive module by using the location code supplied in the error log.
3. Use the SCSI Device Identification and Removal service aid to set **Remove** on the failing disk drive module. (“Appendix A. Operating with RISC Systems” on page 81 describes how to do this if you have a RISC-based system.)
4. Check the lights on this disk drive module. (“Disk Drive Module Lights” on page 8 describes where these are, and how to see them.)

If the Check light is on, exchange the disk drive module for a new one using the procedure described in the following section.

To Exchange a Disk Drive Module

1. If the failing disk drive module is in a 2104 Model TU3, open the front cover of the 2104:
 - a. If necessary, unlock the cover, using the key provided.
 - b. Grip the cover at the right and pivot it to the left.

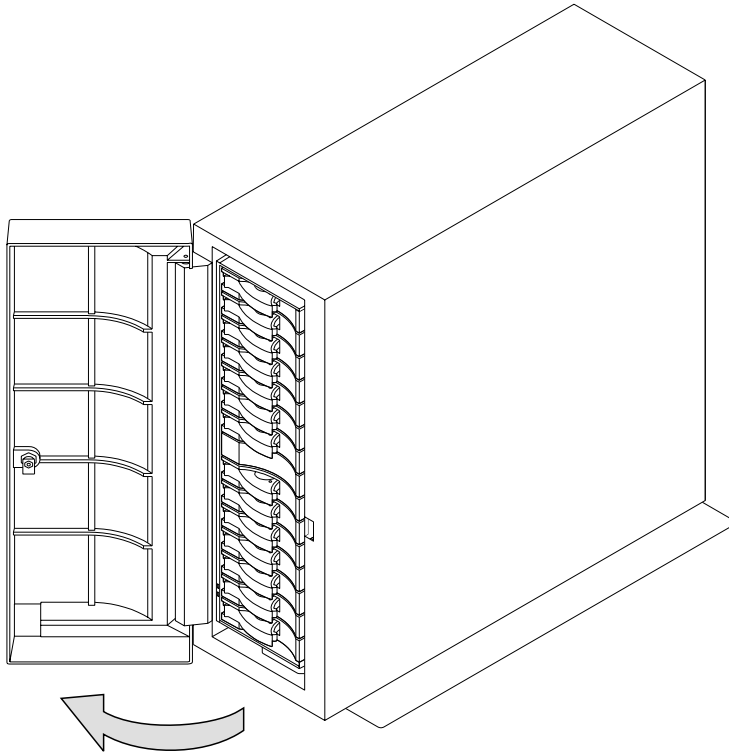


Figure 26. Disk Drive Modules in a 2104 Model TU3

The diagrams in the following instructions show a 2104 Model DU3. The steps for exchanging a disk drive module in a 2104 Model TU3 are the same, but the parts are turned through 90 degrees.

2. Pull upward on the trigger **1** and pull outward the handle **2** of the failing disk drive module. This action moves the module partly out of the slot. Wait for about 20 seconds to allow the disk drive motor time to spin down.

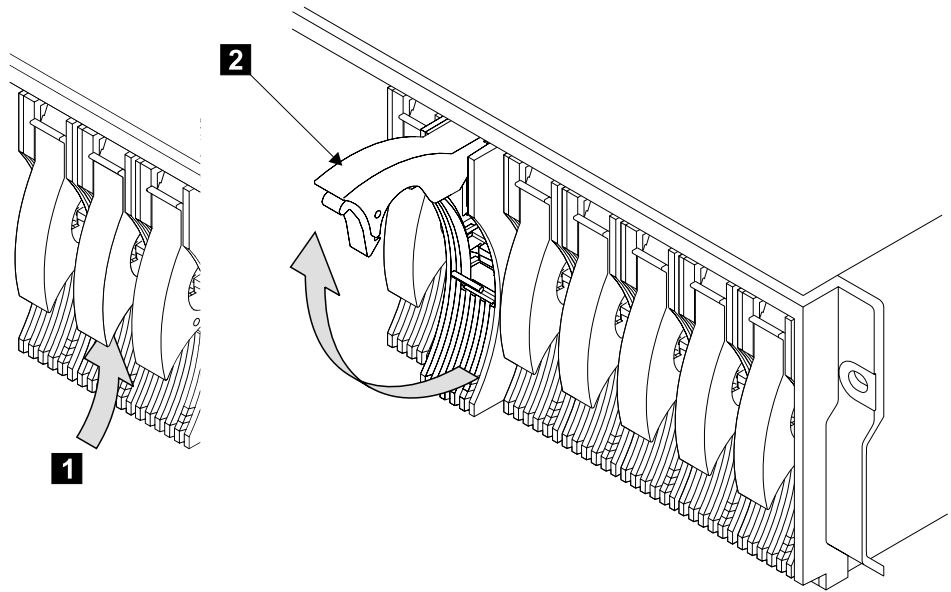


Figure 27. Opening the Disk Drive Module Handle

3. Carefully pull the module out of the 2104. Support the module with your other hand as you take it from the 2104.

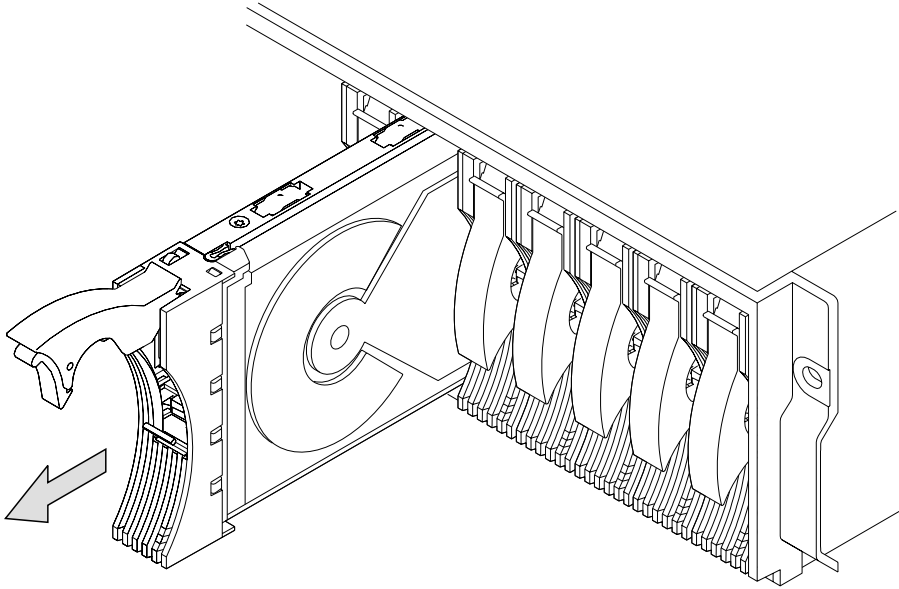


Figure 28. Removing a Disk Drive Module

Attention:The fan speed might increase. Do not leave the slot empty for more than 30 minutes. If you do, the 2104, and its disk drive modules, might overheat and be damaged.

4. With one hand supporting the base of the replacement module and the other hand holding the handle **1**, insert the module and push it into the slot. When the handle touches the front surface of the enclosure, the module stops. Note that the disk drive module is not yet fully home.

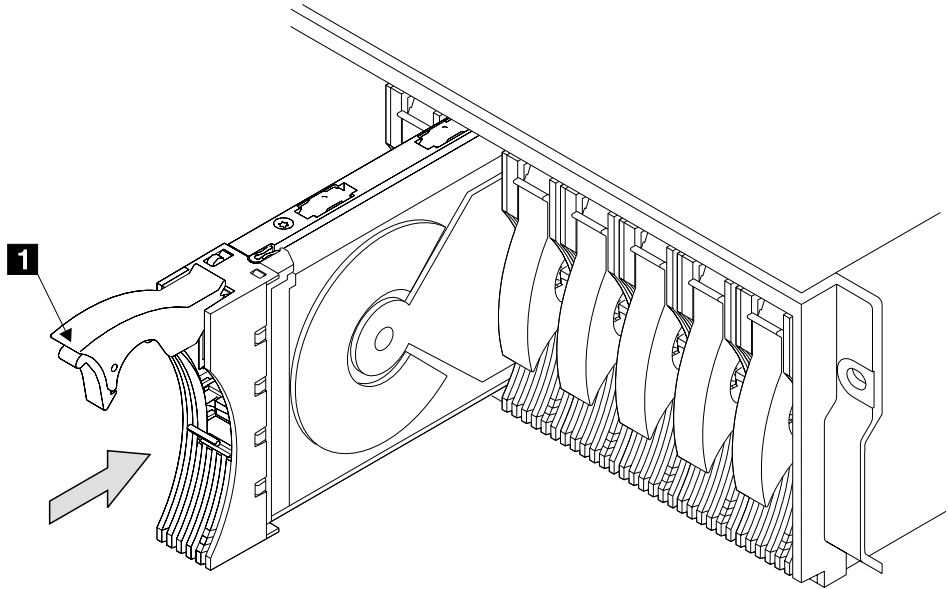


Figure 29. Inserting a Disk Drive Module

5. While continuing to push the disk drive module into the slot, slowly close the handle **1** until it stops with a click. This action pushes the module fully home.

Attention:The fans might decrease their speed.

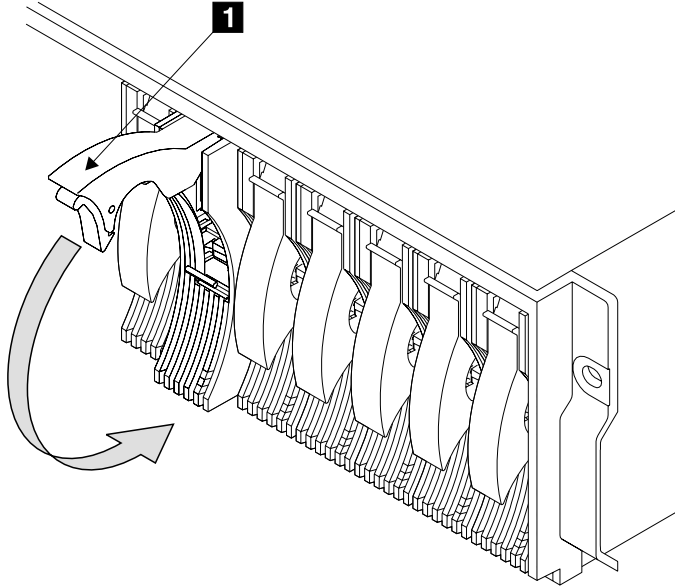


Figure 30. Closing the Handle

6. Verify that the disk drive module that you have just installed is aligned with the sides of the 2104 and there is no gap between this module and the modules that are next to it.

Verify also that the front edge of this disk drive module aligns with the front edges of the modules next to it.

If the disk drive module is not correctly aligned, remove it (see step 2 on page 39) and reinstall it (steps 4 through 6 above).

7. If the amber check light **2** comes on, first verify that the new disk drive module has been correctly installed, then run diagnostics in Problem Determination mode to check the error log. See "Appendix A. Operating with RISC Systems" on page 81.

Note: The green activity light **1** comes on for about one second after the disk drive module has been installed. The light then goes out and comes on again only when disk I/O activity begins.

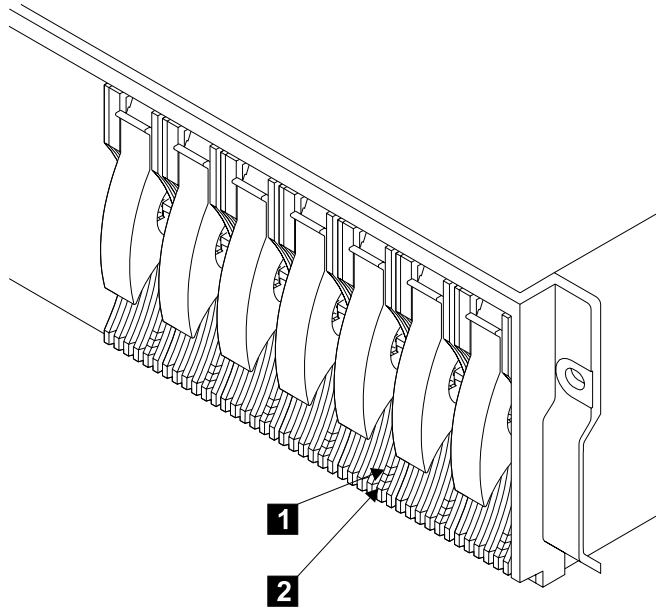


Figure 31. Disk Drive Module Lights

8. If you have exchanged a disk drive module in a 2104 Model TU3, close the cover and, if required, lock it with the key provided.

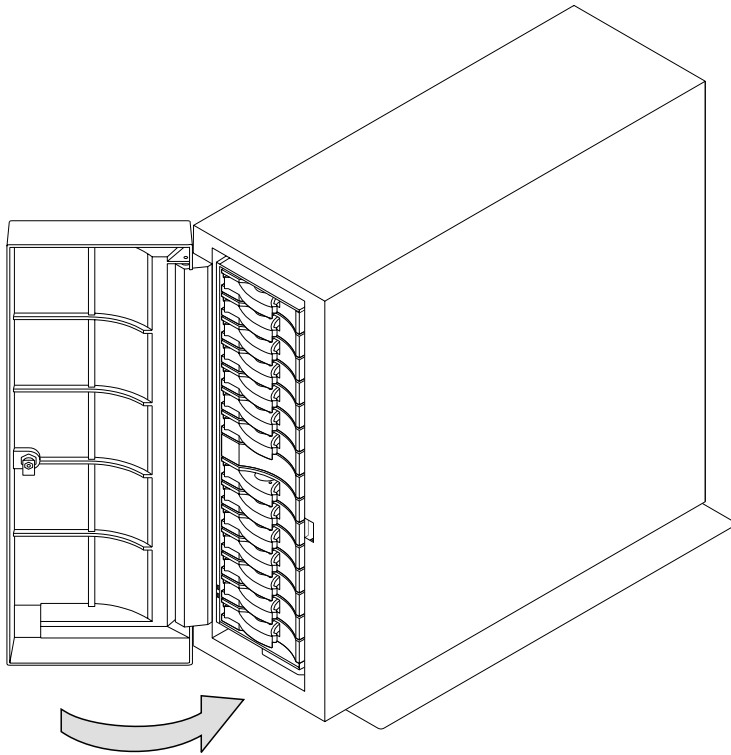


Figure 32. Closing the Cover of a 2104 Model TU3

9. Restore the disk drive module into your system, using the system programs. Refer to "Appendix A. Operating with RISC Systems" on page 81.

Exchanging a Fan-and-Power-Supply Assembly

You can exchange a faulty fan-and-power-supply assembly if:

- You have a correct spare fan-and-power-supply assembly or fan assembly.
- Another fan-and-power-supply assembly is still present in the 2104.

Note: If your 2104 contains just one fan-and-power-supply assembly (and one fan assembly), refer to *Expandable Storage Plus: 2104 Models DU3 and TU3 Service Guide* for more guidance about replacing the fan-and-power-supply assembly.

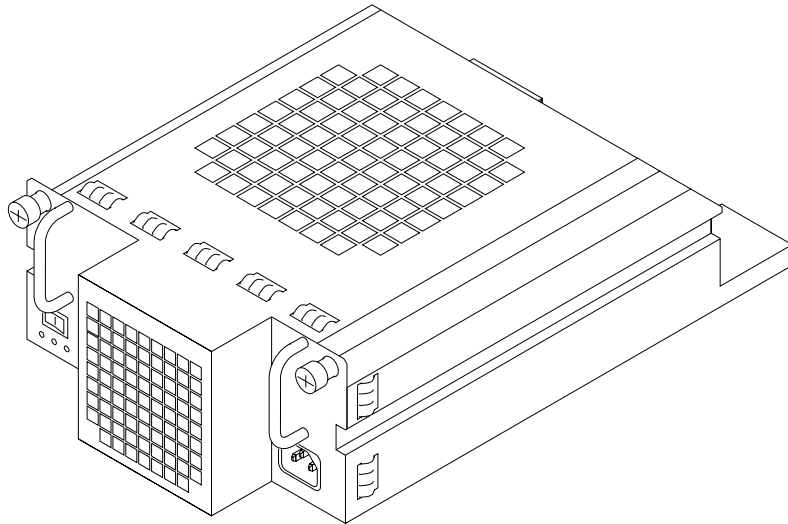


Figure 33. A Fan-and-Power-Supply Assembly

You do not need to remove power from the 2104 when exchanging a fan-and-power-supply assembly.

Before Exchanging a Fan-and-Power-Supply Assembly

- Check the lights on this fan-and-power-supply assembly (“Fan-and-Power-Supply Assembly and Fan Assembly Lights and Switch” on page 11 describes these lights and how to see them.). Ensure that the DC On/Standby switch is set to On.
If the CHK light is on, exchange the fan-and-power-supply assembly by using the procedure in the following section.

To Exchange a Fan-and-Power-Supply Assembly

Note: The illustrations in the following instructions show a 2104 Model DU3. The steps for exchanging a fan-and-power-supply assembly in a 2104 Model TU3 are the same, but the parts are turned through 90 degrees.

1. Set the DC On/Standby switch **1** on the fan-and-power-supply assembly to Standby.

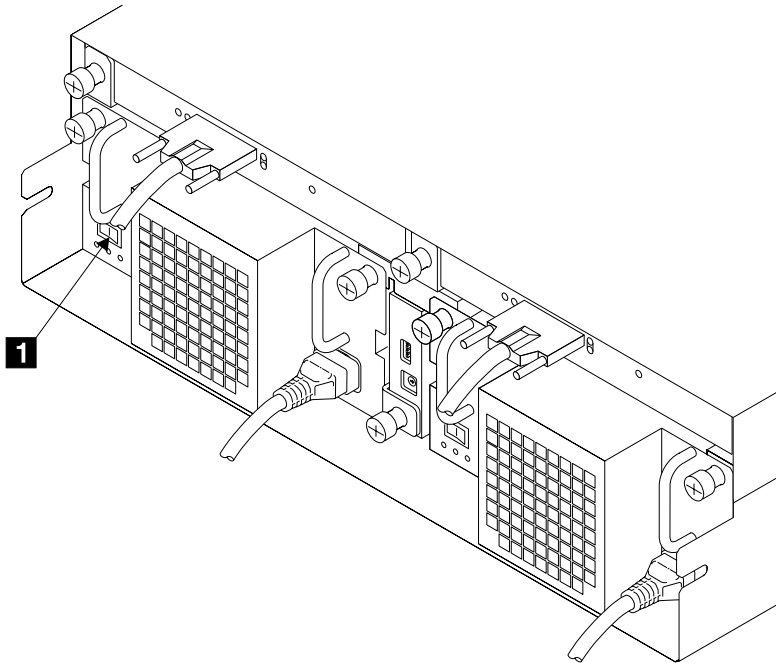


Figure 34. Fan-and-Power-Supply DC On/Standby Switch

Note: The DC PWR light might stay on for a short time. Wait until it is off before you go to the next step.

2. Unplug the mainline power cable from the failing fan-and-power-supply assembly.

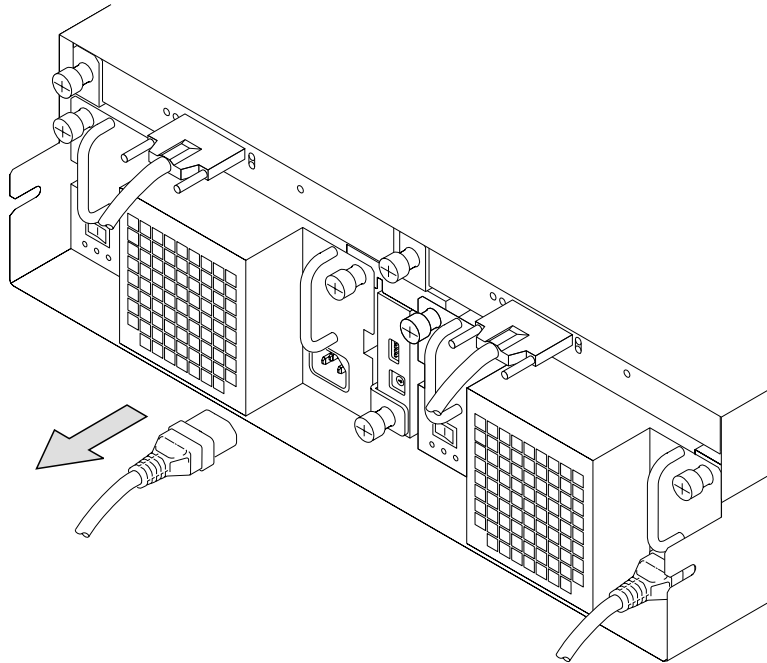


Figure 35. Unplugging the Mainline Power Cable

CAUTION:

Ensure that the mainline power cable has been removed from the failing fan-and-power-supply before continuing.

3. Unscrew the two thumbscrews on the fan-and-power-supply assembly.

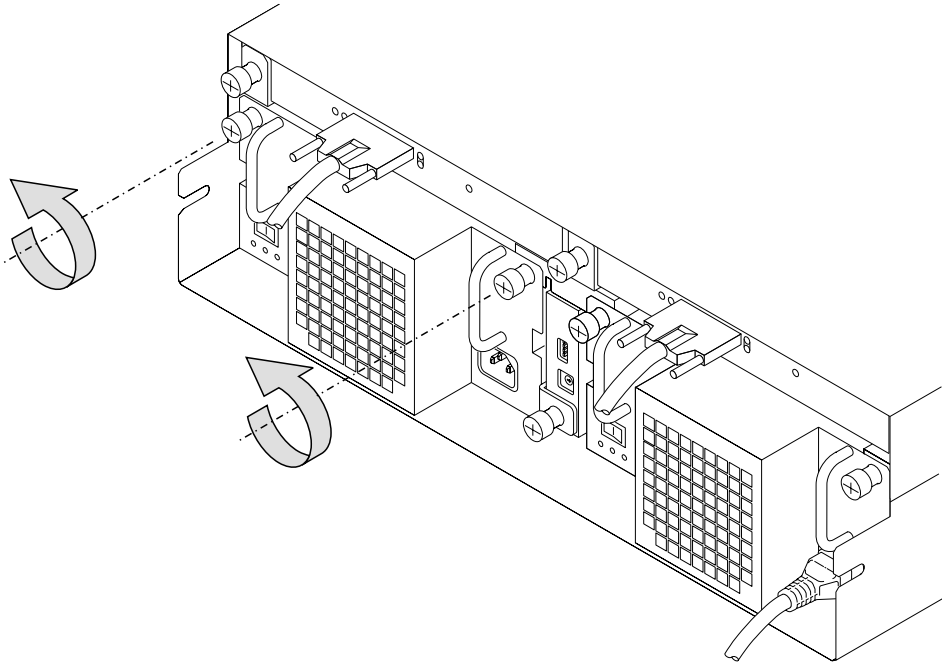


Figure 36. Unscrewing the Thumbscrews on the Fan-and-Power-Supply Assembly

4. Pull the fan-and-power-supply assembly from the 2104. The speed of the other fan in the 2104 might increase.

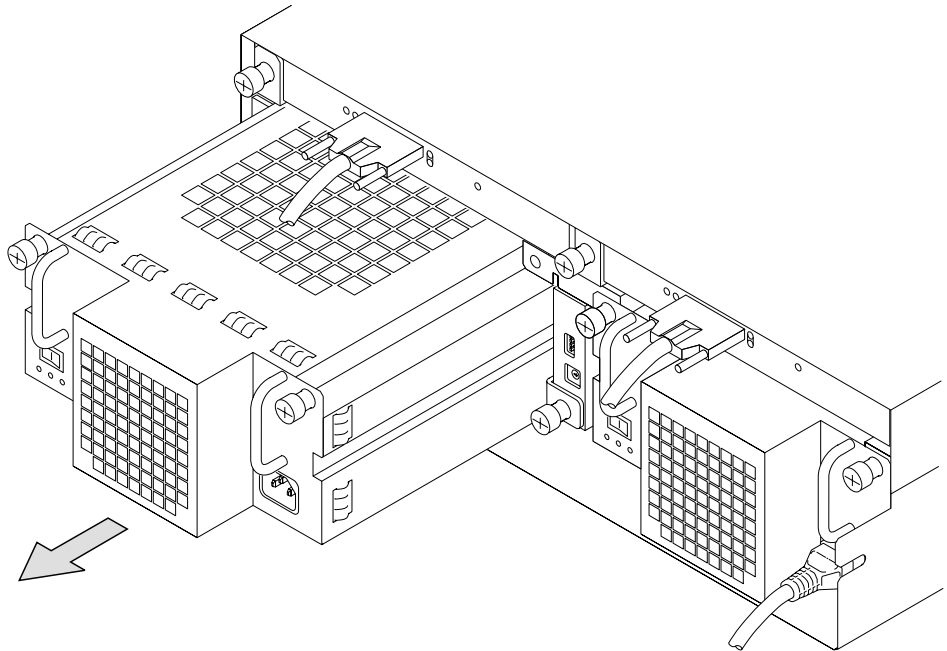


Figure 37. Removing the Fan-and-Power-Supply Assembly

Attention: Do not leave the space empty for more than 30 minutes; if you do, the 2104, and the disk drive modules, might overheat and be damaged.

CAUTION:
Do not insert hands or tools into the empty space where the fan-and-power-supply assembly was.

5. Push the replacement fan-and-power-supply assembly fully into the 2104.

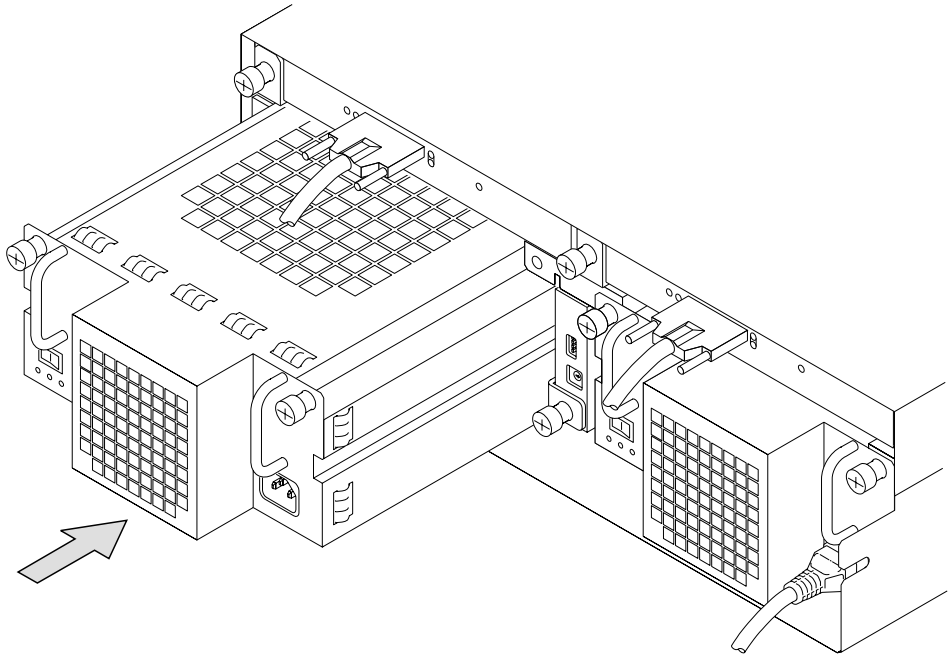


Figure 38. Inserting a Replacement Fan-and-Power-Supply Assembly

DANGER

Do not plug a power cable into the fan-and-power-supply assembly until the assembly is fully home and its thumbscrews are fully tightened.

6. Tighten the two thumbscrews by turning them clockwise.

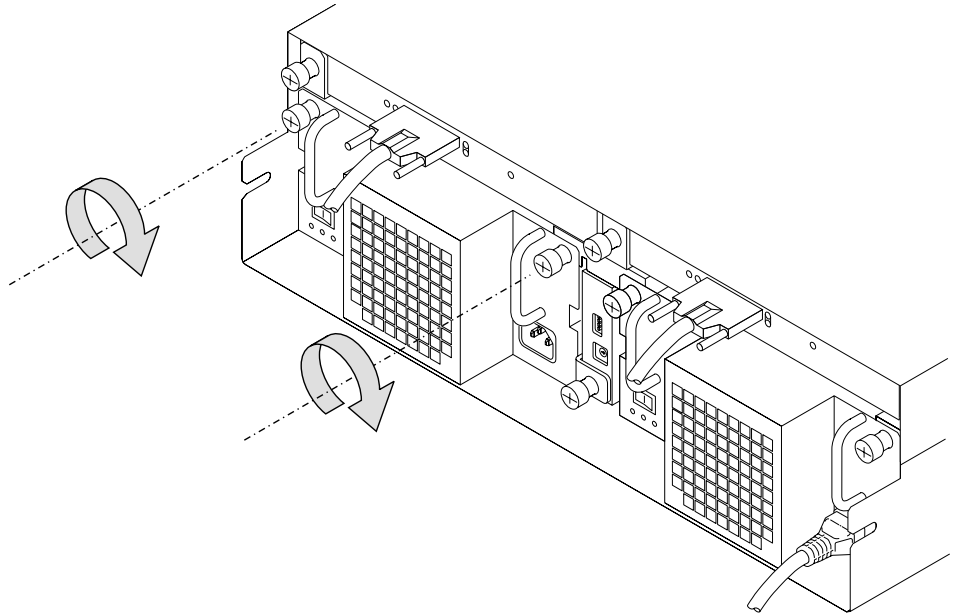


Figure 39. Tightening the Screws on a Fan-and-Power-Supply Assembly

7. Plug the mainline power cable into the new fan-and-power-supply assembly. Verify that the green AC PWR light **1** comes on immediately.

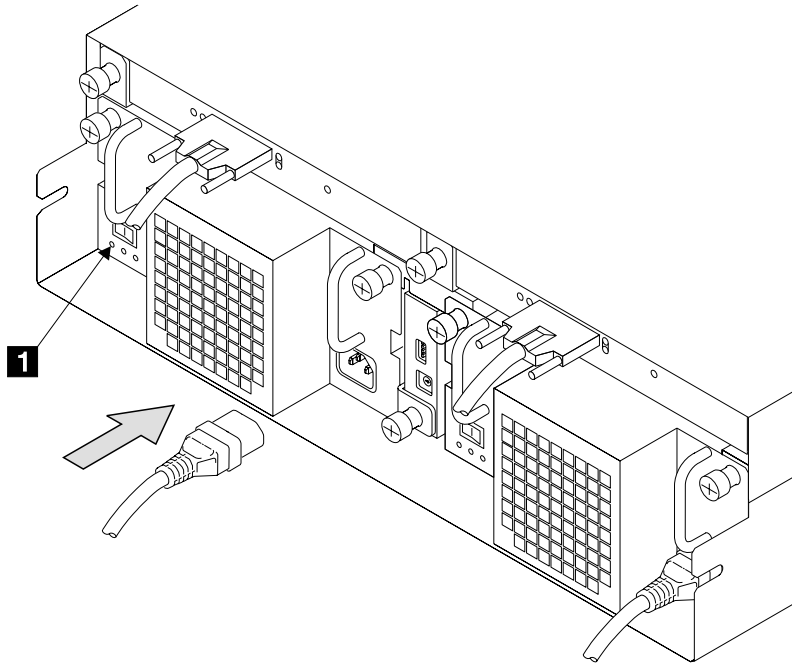


Figure 40. Plugging in the Mainline Power Cable

8. Set the DC On/Standby switch **1** on the new fan-and-power-supply assembly to On.

Note: The fan speeds might decrease.

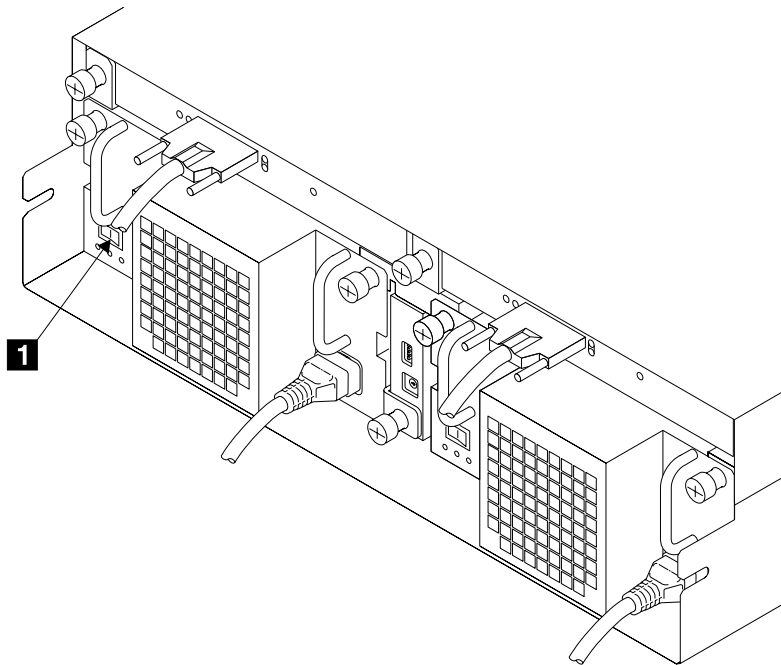


Figure 41. Fan-and-Power-Supply DC On/Standby Switch

9. Verify that the green DC PWR light **1** comes on within five seconds.
If it does not, or the amber CHK light **2** comes on, verify that the new fan-and-power-supply assembly is correctly installed.
If it is, report the problem to your service representative.

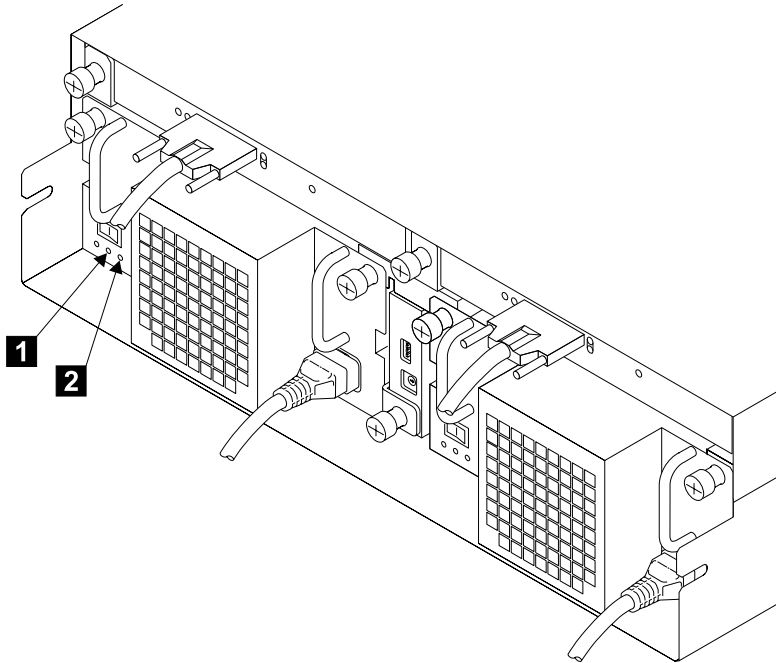


Figure 42. Fan-and-Power-Supply Lights

Exchanging a Fan Assembly

You can exchange a faulty fan assembly if:

- You have a correct spare fan assembly.
- Another fan-and-power-supply assembly is present in the 2104.

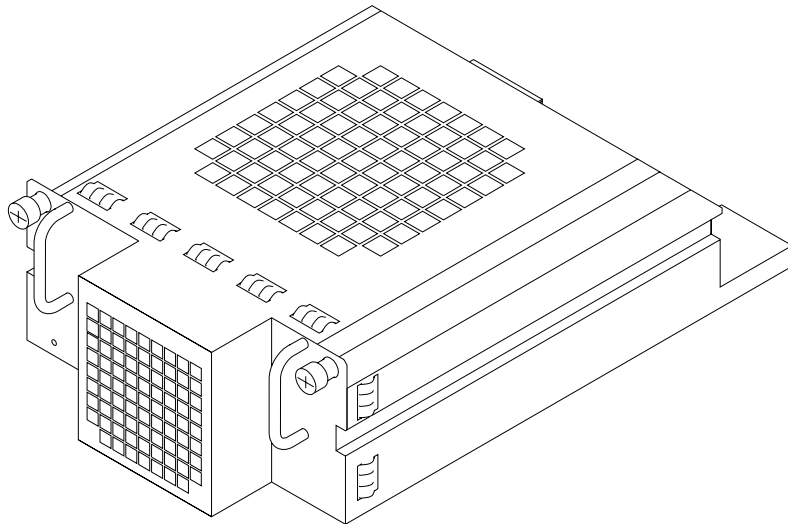


Figure 43. Fan Assembly

You do not need to remove power from the 2104 when exchanging a fan assembly.

Before Exchanging a Fan Assembly

- Look at the Check light on this fan assembly (see “Fan-and-Power-Supply Assembly and Fan Assembly Lights and Switch” on page 11).

If the Check light is flashing, exchange the fan assembly by using the procedure in the following section.

To Exchange a Fan Assembly

The diagrams in the following instructions show a 2104 Model DU3. The steps for exchanging a fan assembly in a 2104 Model TU3 are the same, but the parts are turned through 90 degrees.

1. Verify that the amber CHK light **1** is flashing.

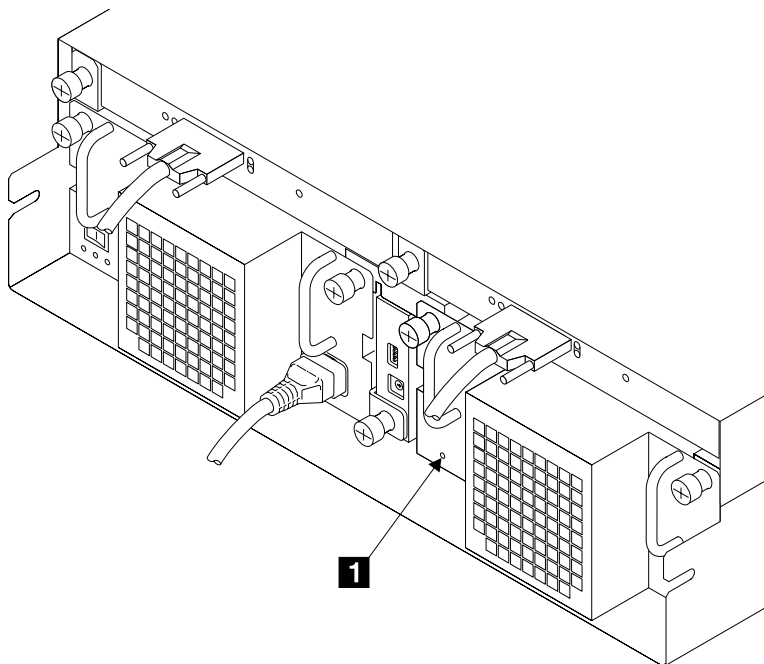


Figure 44. Fan Assembly Light

2. Unscrew the two thumbscrews.

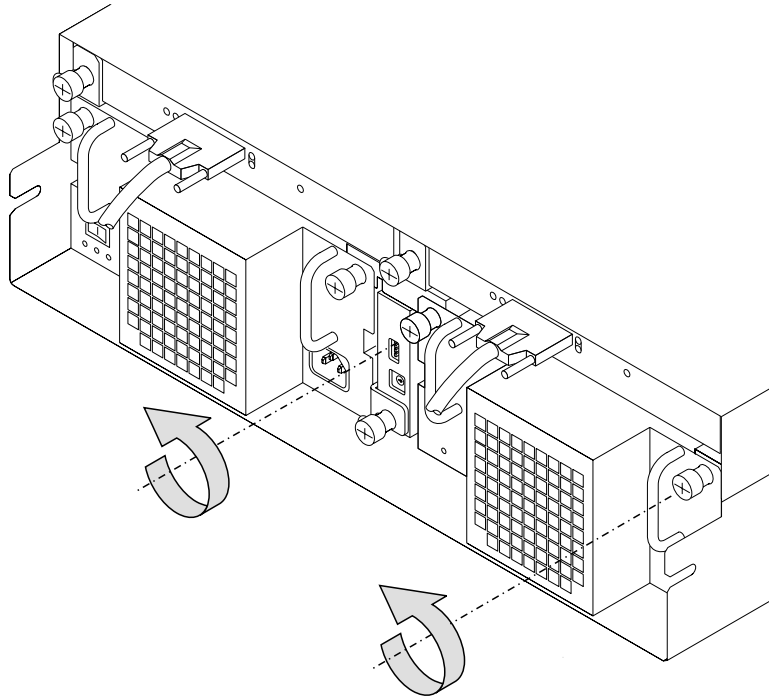


Figure 45. Unscrewing the Thumbscrews on a Fan Assembly

3. Pull the fan assembly from the 2104.

Note: The speed of the other fan in the 2104 might increase.

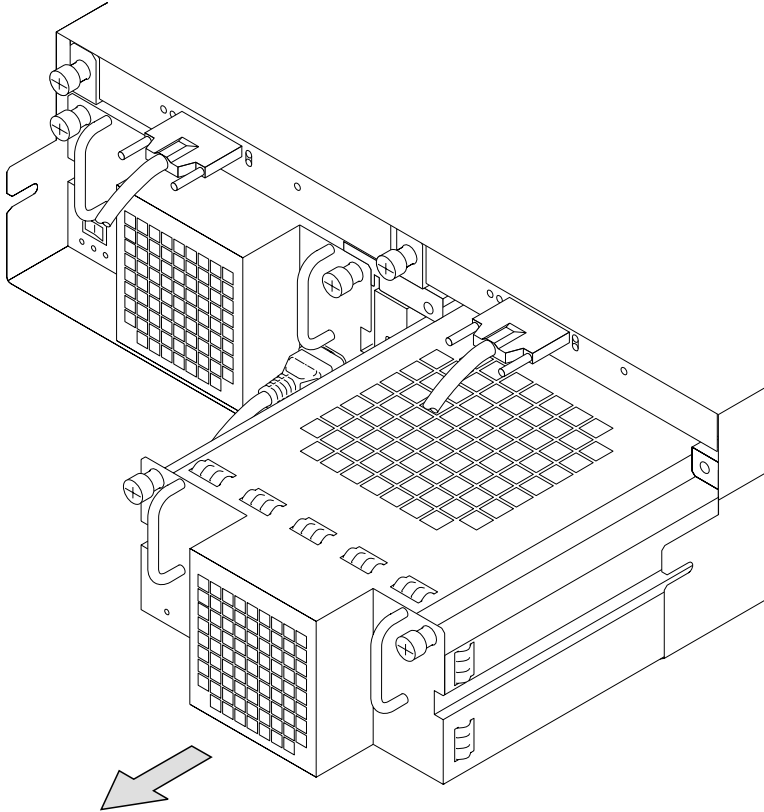


Figure 46. Pulling out a Fan Assembly

Attention: Do not leave the space empty for more than 30 minutes; if you do, the 2104, and its disk drive modules, might overheat and be damaged.

CAUTION:
Do not insert hands or tools into the empty fan assembly opening.

4. Push the replacement fan assembly fully into the 2104.

Note: The speed of the other fan in the 2104 might decrease.

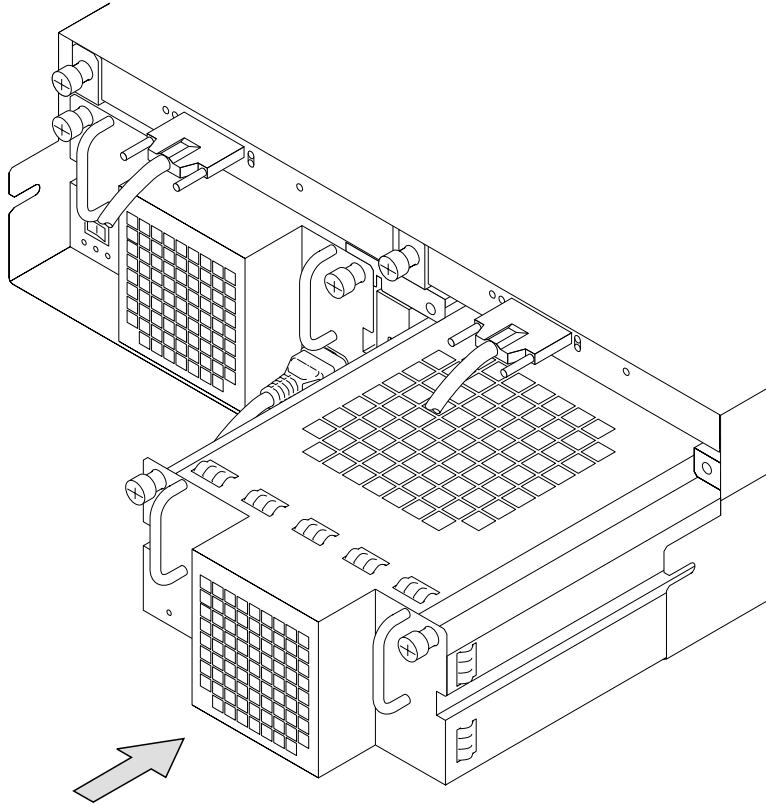


Figure 47. Inserting a Fan Assembly

5. Tighten the two thumbscrews.

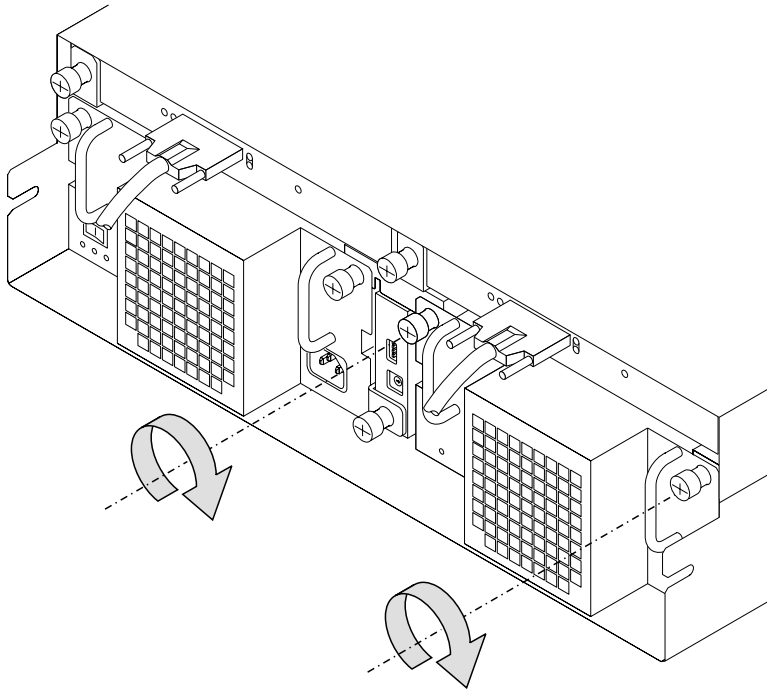


Figure 48. Tightening the Thumbscrews

6. Verify that the amber CHK light **1** is off.

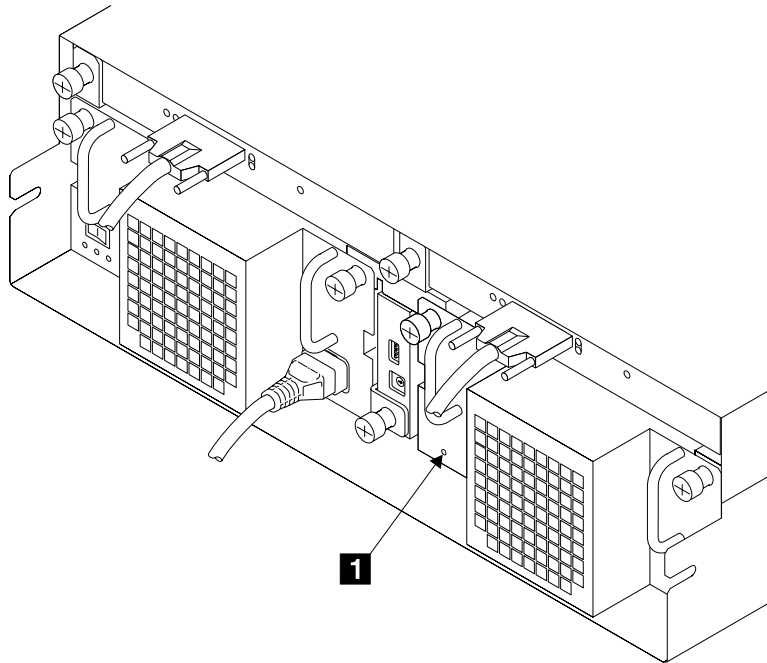


Figure 49. Fan Assembly Light

Exchanging a SCSI Interface Card Assembly

Attention: The SCSI interface card is sensitive to electrostatic discharge (ESD). Use the tools and procedures defined by your organization to protect such parts.

You can exchange a faulty SCSI interface card assembly if:

- You are authorized by your organization.
- You have a correct spare SCSI interface card assembly.

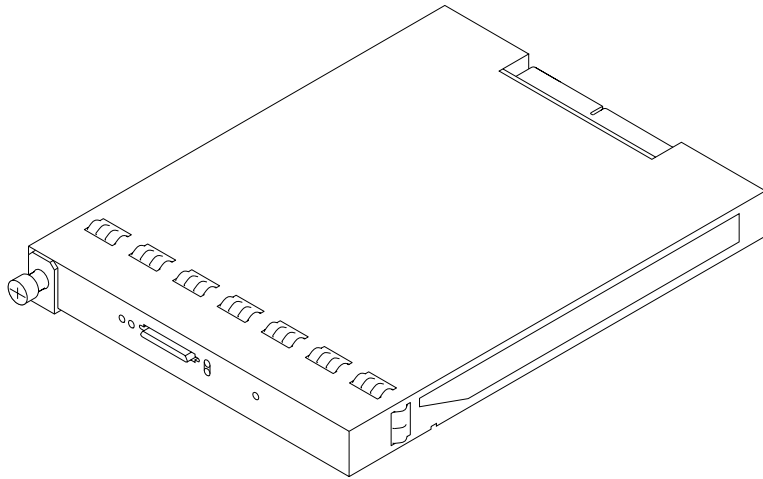


Figure 50. SCSI Interface Card Assembly

You do not need to remove power from the 2104 when exchanging an SCSI interface card assembly.

Before Exchanging the SCSI Interface Card Assembly

Check the lights on the SCSI interface card.

If the FAULT light is on, exchange the SCSI interface card assembly using the procedure in the following section.

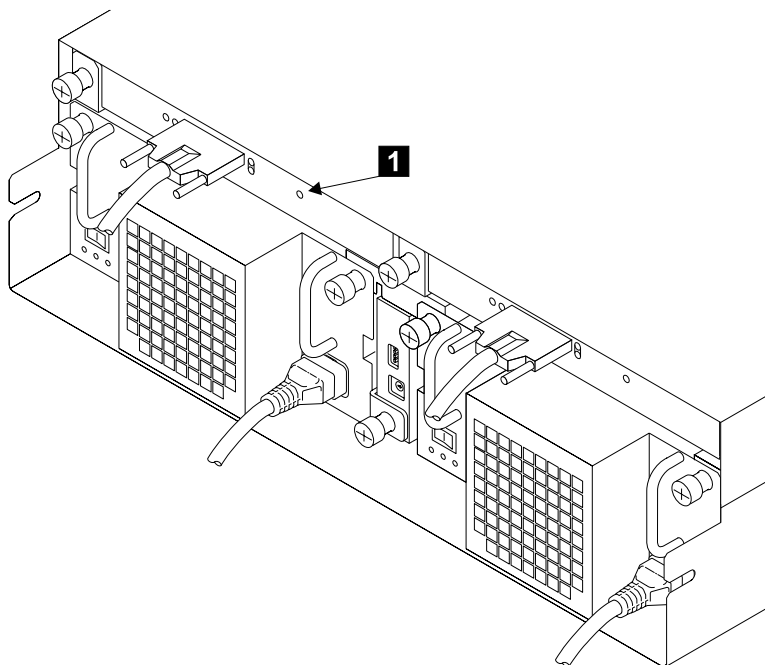


Figure 51. FAULT Light on an SCSI Interface Card Assembly

To Exchange a SCSI Interface Card Assembly

The diagrams in the following instructions show a 2104 Model DU3. The steps for exchanging a SCSI interface card assembly in a 2104 Model TU3 are the same, but the parts are turned through 90 degrees.

1. Unscrew and unplug the SCSI cable.

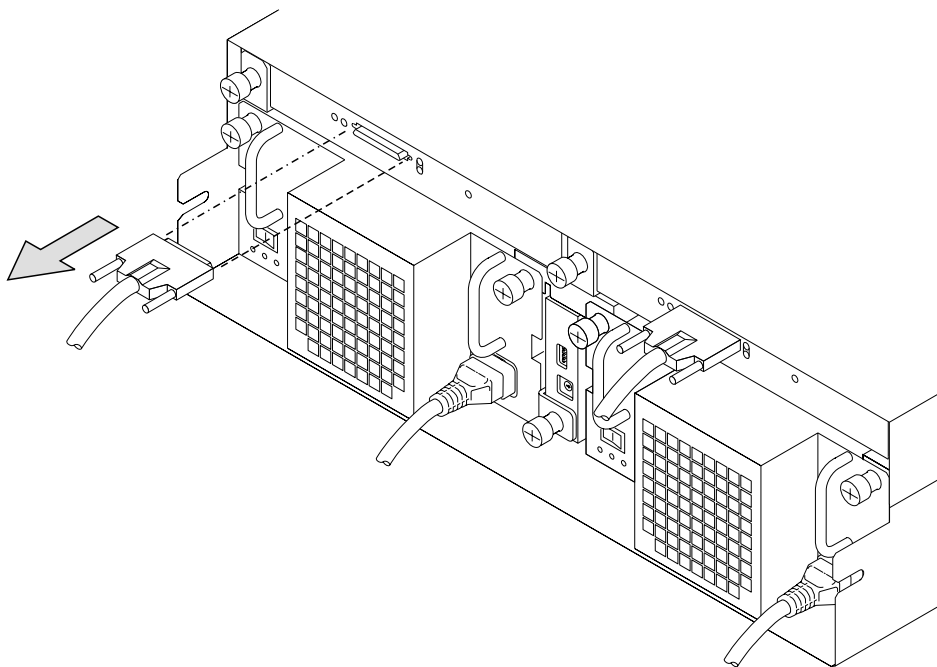


Figure 52. Removing the SCSI Cable

2. Unscrew the thumbscrew **1** on the failing SCSI interface card.

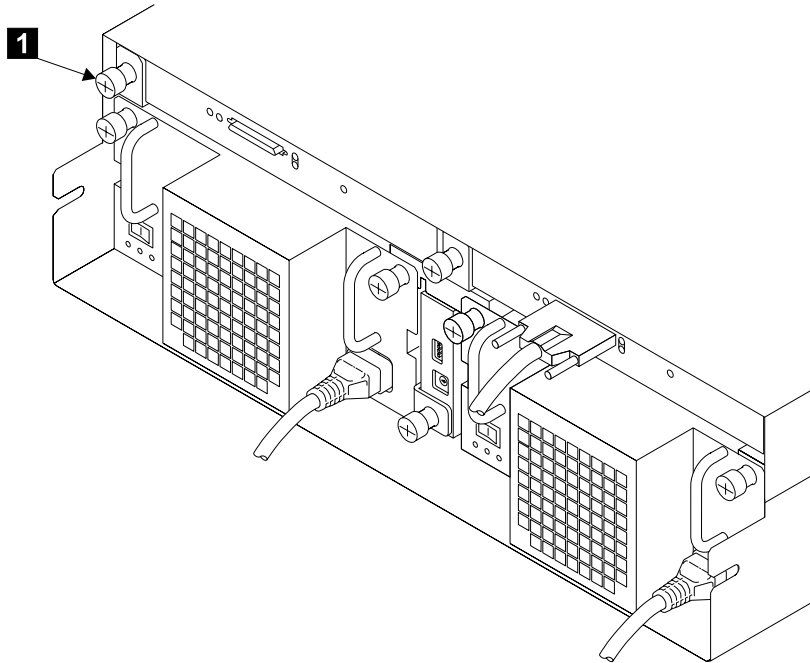


Figure 53. Unscrewing the SCSI Interface Card

3. Open the lever fully by moving it to the right. This action unplugs the card assembly from the backplane.

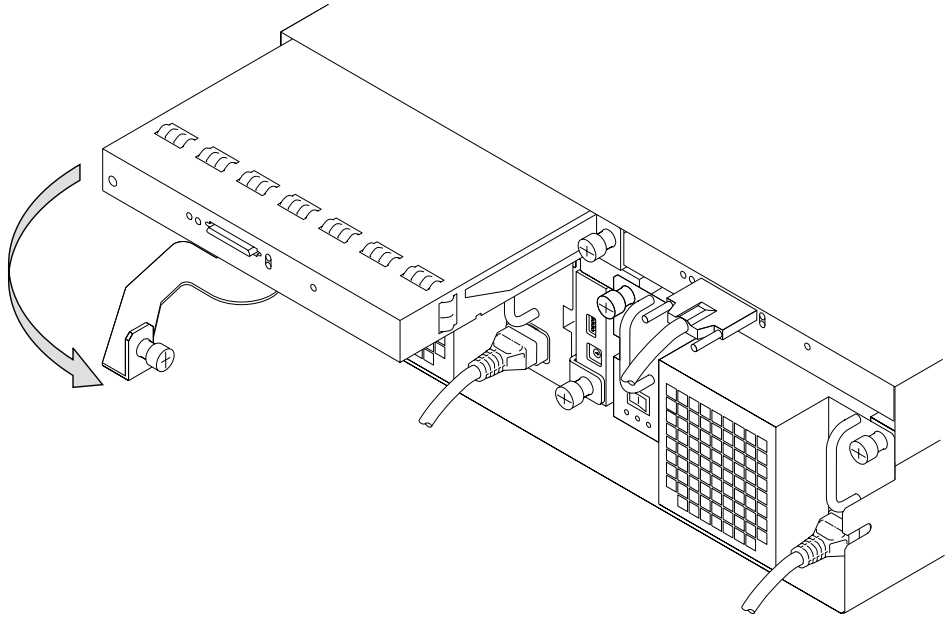


Figure 54. Opening the Lever

4. Pull the SCSI interface card assembly out of the 2104.

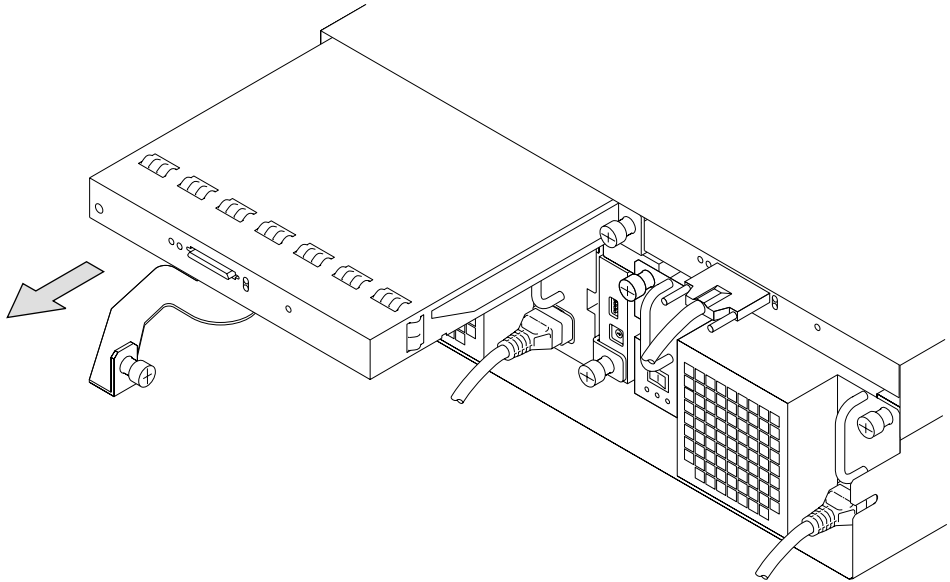


Figure 55. Pulling the SCSI Interface Card Out

CAUTION:
Do not insert hands or tools into the empty space above the fan-and-power-supply assembly.

5. Push the replacement SCSI interface card assembly into the 2104.

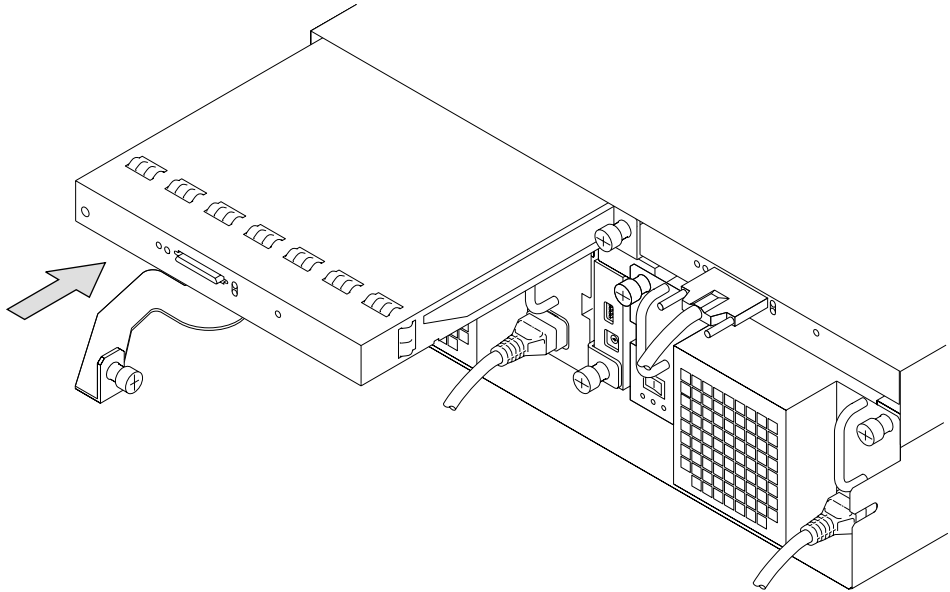


Figure 56. Pushing the Replacement SCSI Interface Card In

6. Move the lever to the left.

CAUTION:

As you push the assembly fully home, the lever automatically moves towards its closed position. Ensure that your fingers do not become pinched between the lever and the assembly.

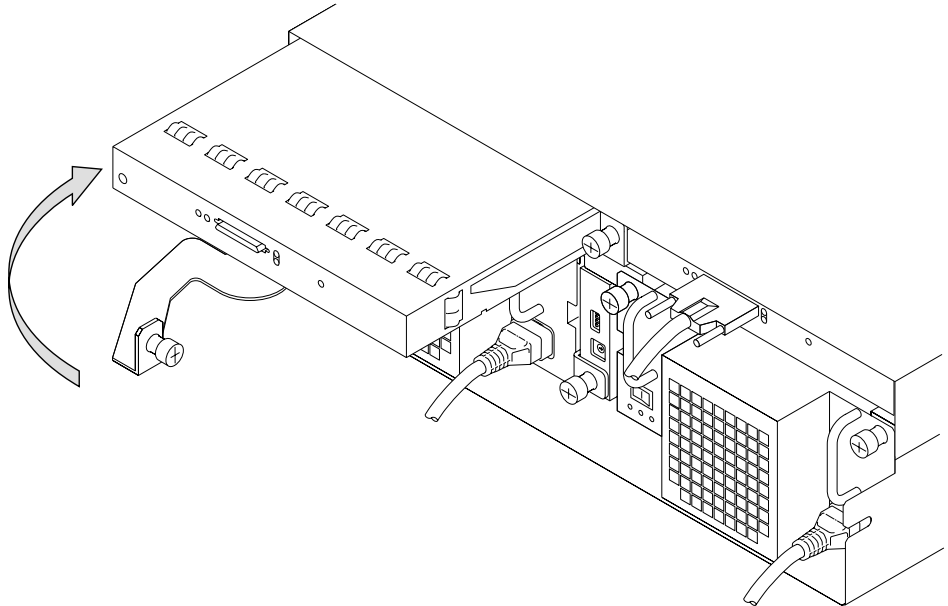


Figure 57. Closing the Lever

7. Tighten the thumbscrew.

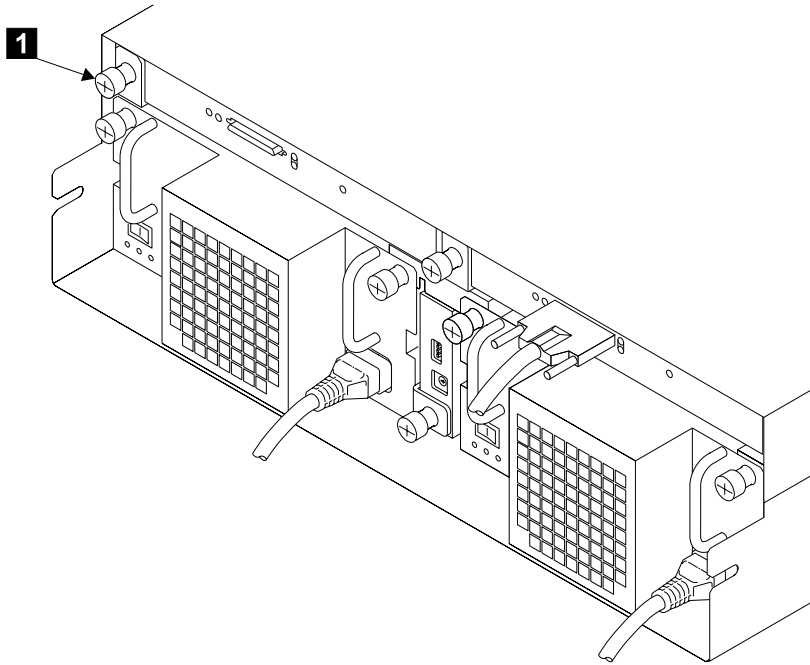


Figure 58. Tightening the Thumbscrew

8. Plug the SCSI connector into the SCSI interface card, and tighten the retaining screws.

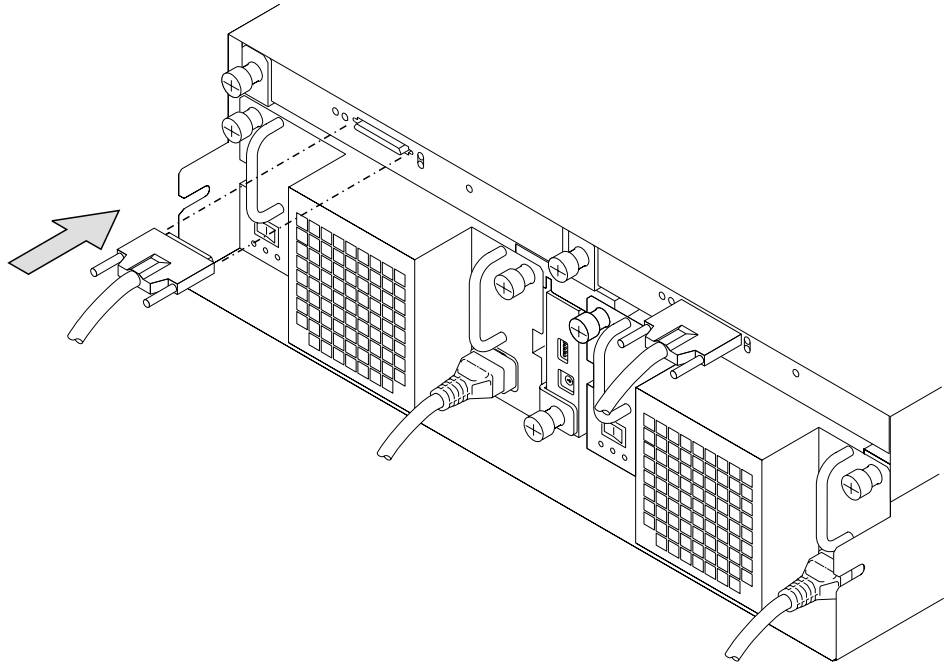


Figure 59. Plugging in the SCSI Cable

9. Check that the green TERM POWER light **1** comes on within five seconds. It indicates that the TERM POWER from a host bus adapter is activated. If it does not, check that the new SCSI interface card has been correctly installed.

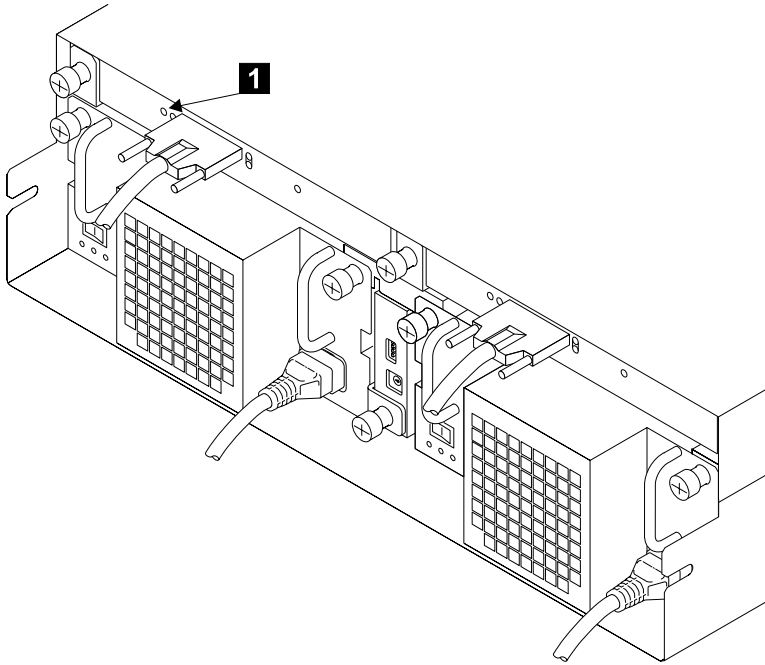


Figure 60. SCSI Interface Card Assembly TERM POWER Light

Exchanging the Switch Card Assembly

Attention: The switch card is sensitive to electrostatic discharge (ESD). Use the tools and procedures defined by your organization to protect such parts.

You can exchange a faulty switch card assembly if:

- You are authorized by your organization.
- You have a correct spare switch card assembly.

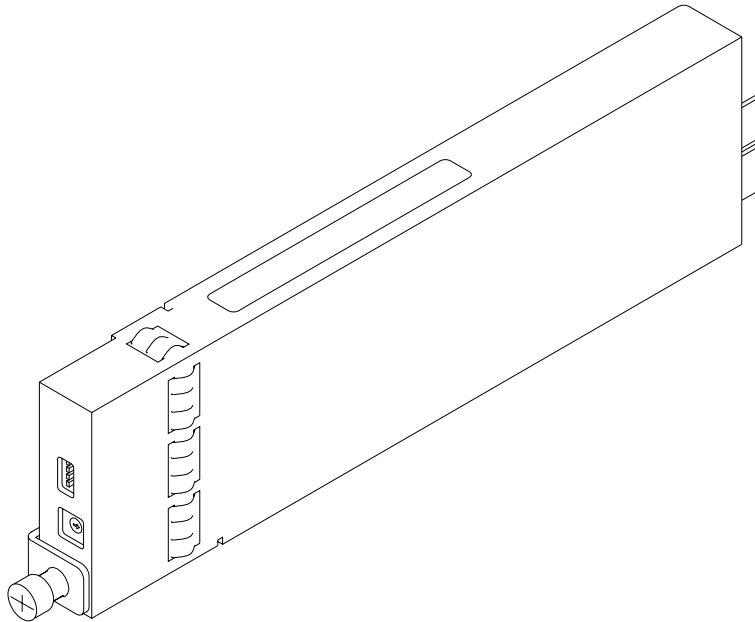


Figure 61. Switch Card

You do not need to remove power from the 2104 when exchanging the switch card.

Before Exchanging the Switch Card Assembly

Notes:

1. The settings of the switches on the replacement switch card must be the same as those on the original card. See “Switch Card” on page 16 for details of the switch settings.
2. If the switch card is removed while the 2104 is on, the 2104 might be powered off.

To Exchange the Switch Card Assembly

The diagrams in the following instructions show a 2104 Model DU3. The steps for exchanging the switch card assembly in a 2104 Model TU3 are the same, but the parts are turned through 90 degrees.

1. Unscrew the thumbscrew **1** on the failing switch card assembly.

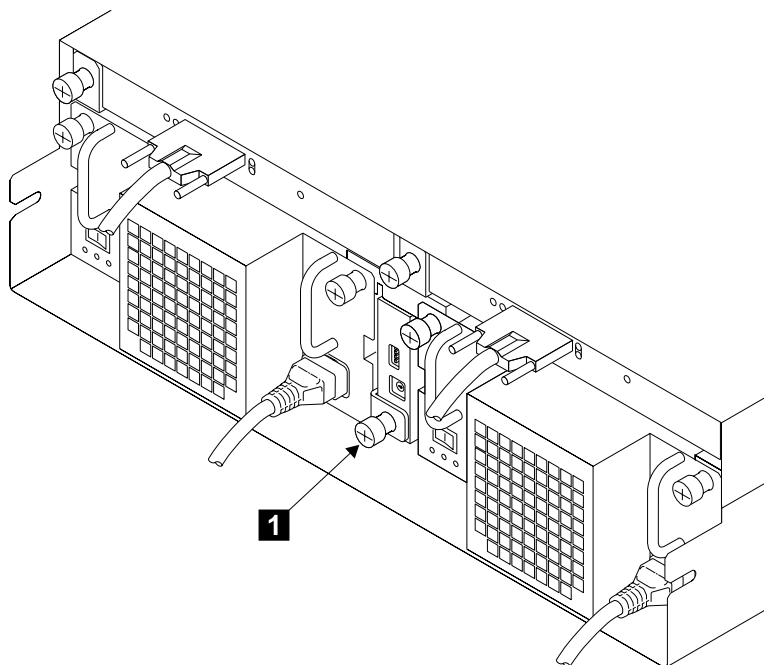


Figure 62. Unscrewing the Thumbscrew on the Switch Card Assembly

2. Pull the lever up. This action unplugs the switch card assembly from the backplane.

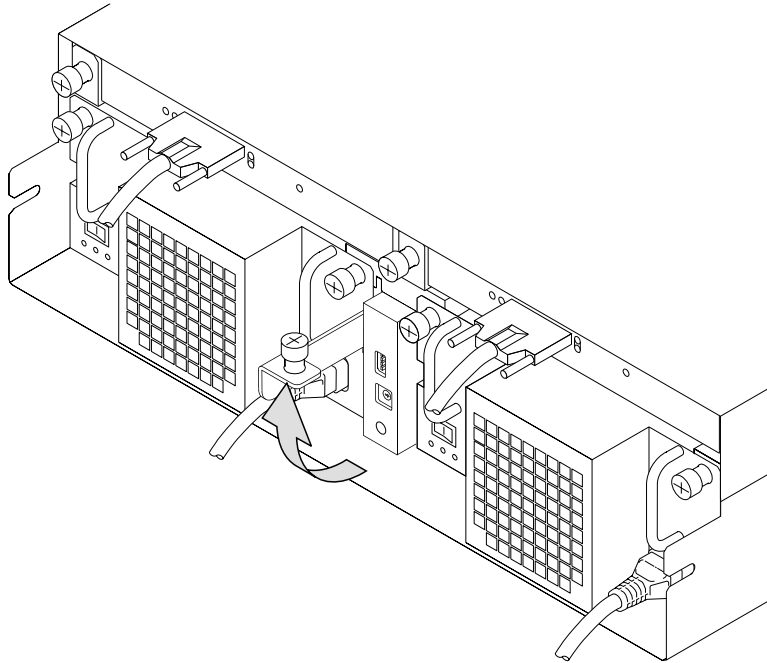


Figure 63. Opening the Lever

Note: If the 2104 is switched on, it might switch off when you unplug the switch card assembly.

3. Pull the switch card assembly out of the 2104.

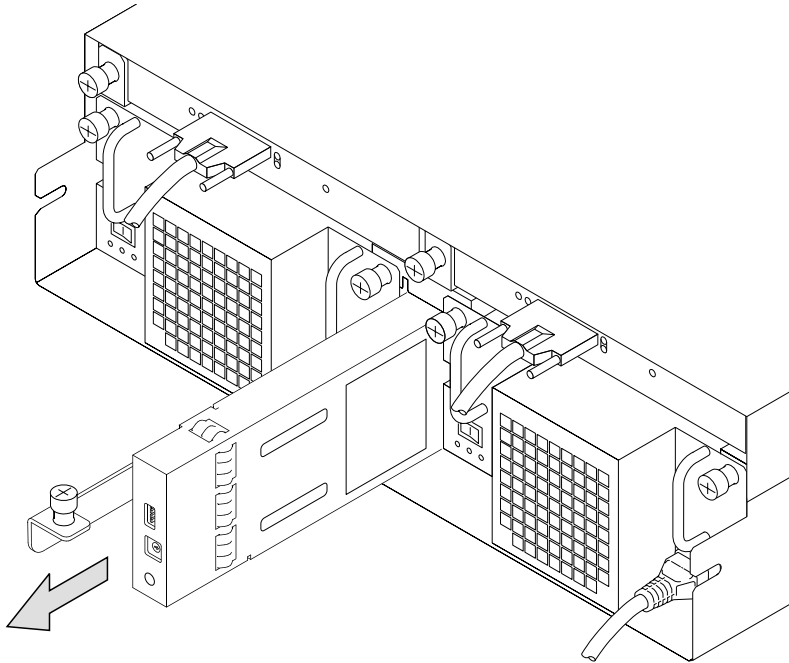


Figure 64. Remove the Switch Card

CAUTION:
Do not insert hands or tools into the empty space between the power supply assemblies.

4. Push the replacement switch card assembly into the disk enclosure.

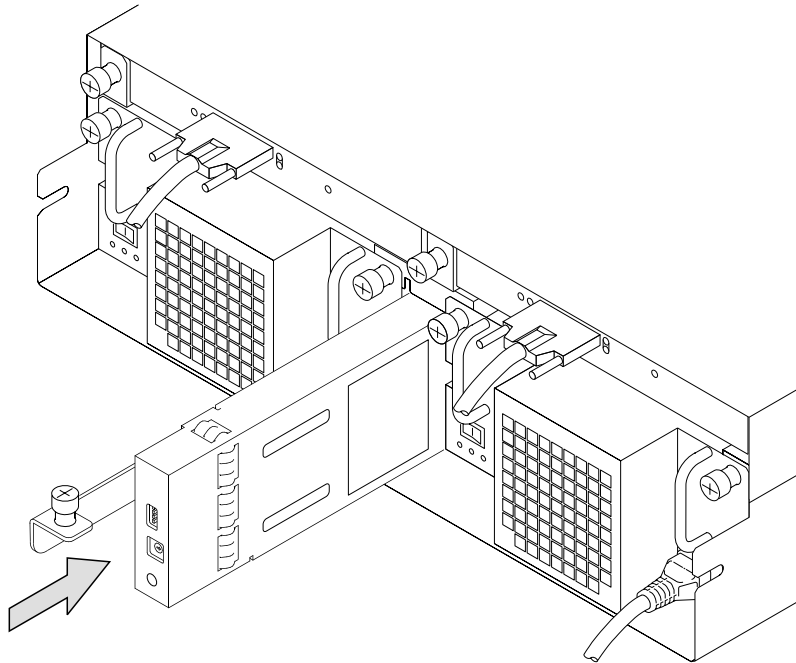


Figure 65. Pushing the Switch Card Assembly into the 2104

5. Push the lever down.

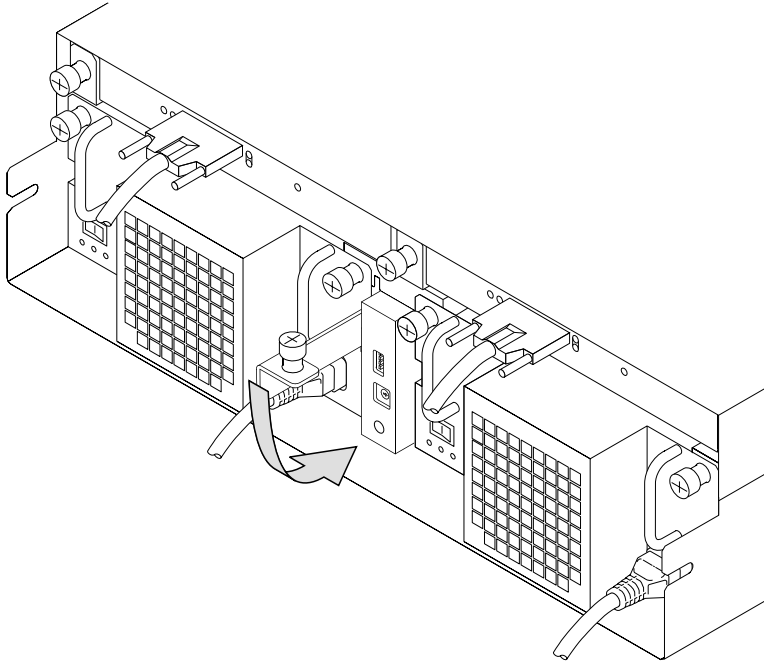


Figure 66. Closing the Lever

6. Tighten the thumbscrew.

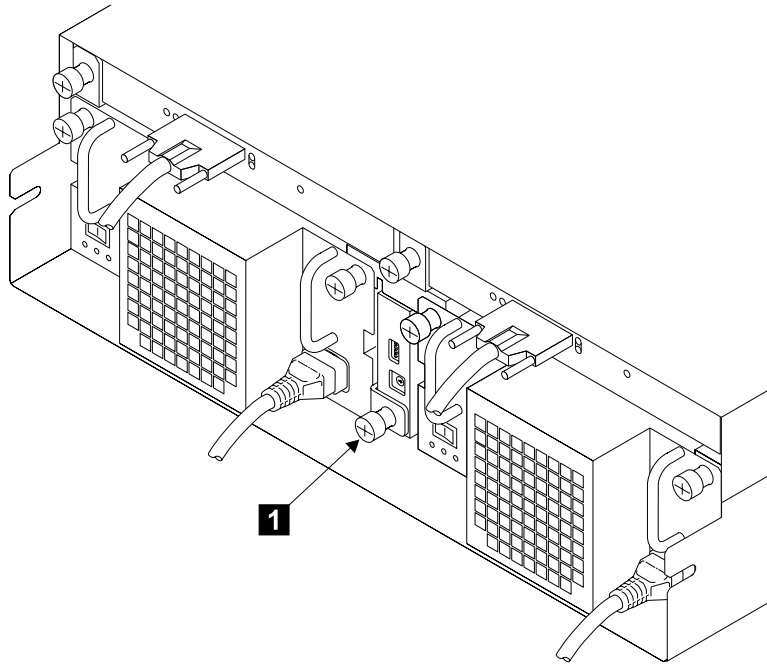


Figure 67. Tightening the Thumbscrew

Reporting Problems

When you report a problem that has occurred in a 2104, it is important that you report the following information, in addition to the error information (the SRN) given to you by your operating system:

The machine type number	2104
The machine model number	DU3 or TU3
The machine serial number	xx-xxxxx

The serial number can be read from the label at the bottom right of the front of the 2104, or from the label on the back of the 2104.

Appendix A. Operating with RISC Systems

This appendix contains information that is specific to Expandable Storage Plus disk enclosures that are attached to RISC systems.

SCSI Adapters and Cables

An RS/6000 or IBM

@server

pSeries computer uses one of the following SCSI adapters to connect to the 2104 Model DU3 or 2104 Model TU3:

- PCI 3-Channel Ultra2 SCSI RAID Adapter (Feature Code 2494 Type Number 4-T)
- PCI Dual Channel Ultra2 SCSI Adapter (Feature Code 6205 Type Number 4-R)
- PCI Single-Ended Ultra SCSI Adapter (Feature Code 6206 Type Number 4-K)
- PCI Single-Ended Plus SCSI RAID Adapter (Feature Code 6208 Type Number 4_A)

SCSI cables supported by these adapters are:

Adapter (Feature Code)	Cable Length	Feature Code	Part Number
6205 or 2494	20 meters	9320	09L3307
	10 meters	9310	09L3305
	5 meters	9305	09L3303
	3 meters	9303	09L3301
	1 meter	9301	09L3299
6206	3 meters	9313	09L3309
2415	3 meters	9323	09L3311

SCSI Service Aids

Service aids are available on the using system to help you service the 2104. Service aids described in the *Expandable Storage Plus: 2104 Models DU3 and TU3 Service Guide* are:

- Format Media
- Certify Media
- SCSI Device Identification and Removal
- Download Microcode

Identifying a 2104 and its Disk Drive Modules

You can identify a 2104 and the disk drive modules installed in it either by the location code contained in system messages that refer to that unit, or by using the SCSI Device Identification and Removal service aid.

See “Location Codes” in the operator guide for your system for general information about location codes.

Problem Determination

For some problems, your system diagnostics tell you to check the lights on the system to determine which part, if any, has a fault. “Controls and Lights” on page 7 of this book shows the position of the lights. The diagnostic programs tell you what to report to your service representative. (“Reporting Problems” on page 80 describes other information you should report.)

Checking the SCSI Error Log

You can check the error log by running diagnostics in Problem Determination mode. They check the error log and present messages about any problems that have been logged. Your system manuals describe how to run the diagnostic programs.

Configuring a 2104 to the using system

Use the **cfgmgr** command to configure or reconfigure a 2104 to the using system.

Unconfiguring a 2104 from the using system

To remove a 2104 from the using system, use the following command:

```
rmdev -l [enclosurenumber] -d
```

where [enclosurenumber] is the enclosure device that was generated by the **cfgmgr** command (for example, [ses0], [ses1], [ses2]).

Remove the ses_healthcheck job from the system cron table.

Web Support Page

You can find the web support page at:

<http://www.rs6000.ibm.com/support>

Related Publications

- *Diagnostic Information for Micro Channel Bus Systems, SA23-2765*
- *Diagnostic Information for Multiple Bus Systems, SA38-0509*
- *Site and Hardware Planning Information, SA38-0508*
- *Adapters, Devices and Cable Information for Micro Channel Bus Systems, SA23-2764*
- *Adapters, Devices and Cable Information for Multiple Bus Systems, SA38-0516*

Appendix B. Translated Safety Notices

This appendix contains the danger and caution notices that are used in the various books relating to the Expandable Storage Plus: 2104 Models DU3 and TU3.

The notices are shown in English and in various other languages.

Danger notice

A danger notice calls attention to a situation that is potentially lethal or extremely hazardous to people.

Caution notice

A caution notice calls attention to a situation that is potentially hazardous to people because of some existing condition.

Always use safe working procedures whenever you work on machines. Use your own judgment to identify safety conditions that these notices do not describe.

Danger Notices

DANGER

In the following step you are going to remove the power cables. These cables are live if the rack power distribution unit or uninterruptable power supply (UPS) unit is still switched on.

DANGER

Do not try to open the covers of the fan-and-power-supply assembly.

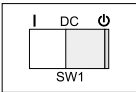
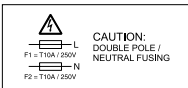
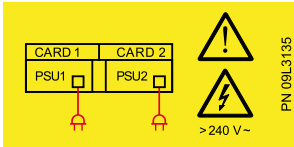
DANGER

Do not plug a power cable into the fan-and-power-supply assembly until the assembly is fully home and its thumbscrews are fully tightened.

DANGER

An electrical outlet that is not correctly wired could place hazardous voltage on metal parts of the system or the devices that attach to that system. It is the customers's responsibility to ensure that the outlet is correctly wired and grounded to prevent an electrical shock. During an electrical storm, do not disconnect cables for display stations, printers, telephones, or station protectors for communication lines.

Caution Notices



CAUTION:
This unit may have two linecords. To remove all power, disconnect both linecords.

CAUTION:
This unit weighs 38.5 kg.

CAUTION:
Do not remove cover, do not service, no serviceable parts.

CAUTION:
Double pole/neutral fusing

CAUTION:
A "Standby" condition is indicated by the symbol to the right of "DC" directly above the switch, SW1. When SW1 is toggled to the right position directly under the "Standby" symbol, the unit's AC-power is not shut off.

CAUTION:
The stabilizer must be correctly attached to the bottom front of the rack to prevent the rack from tipping forward while the 2104 Model DU3 is being removed from the rack. Do not pull out or install any unit if a stabilizer is not attached to the rack.

CAUTION:
The stabilizer must be correctly attached to the bottom front of the rack to prevent the rack from tipping forward while the 2104 Model DU3 is being installed into the rack. Do not remove or install any unit if a stabilizer is not attached to the rack.

CAUTION:
A 2104 Model DU3 weighs up to 38.5 kg (85 lb) with the maximum number of disk drive modules installed. Do not attempt to lift the 2104 into the rack unless all the disk drive modules have been removed.

CAUTION:
A 2104 Model DU3 weighs up to 38.5 kg (85 lb) with the maximum number of disk drive modules installed. Do not attempt to remove the 2104 from the rack unless all the disk drive modules have been removed.

CAUTION:
Do not attempt to lift the 2104 by yourself. Ask another person for aid.

CAUTION:
Do not insert hands or tools into the empty space that contained the fan assembly.

CAUTION:
Do not insert hands or tools into the empty space that contained the fan-and-power-supply assembly.

CAUTION:
Do not insert hands or tools into the empty space that contained the switch card assembly.

CAUTION:
Do not insert hands or tools into the empty space that contained the SCSI interface card assembly.

CAUTION:
This product is equipped with a 3-wire power cable and plug for the user's safety. Use this power cable in conjunction with a correctly grounded electrical outlet to avoid an electrical shock.

CAUTION:
Do not touch the power outlet or the power outlet face plate with anything other than test probes before you have completed this safety check.

CAUTION:
If the reading is not infinity, do not proceed. Make the necessary corrections to the wiring before you continue. Do not switch on the branch circuit CB until all the above steps are satisfactorily completed.

CAUTION:
A 2104 Model TU3 can weigh up to 54.5 kg (120 lb) with the maximum number of disk drive modules installed. Do not attempt to lift one without help from a second person.

CAUTION:
Do not use the handles of the fan or fan-and-power-supply assemblies to carry the 2104. These handles are not intended to support the weight of the unit.

CAUTION:
As you push the assembly fully home, the lever automatically moves toward its closed position. Ensure that your fingers do not become pinched between the lever and the assembly.

Consignes de sécurité

Cette annexe contient les consignes de sécurité Danger et Attention qui sont utilisées dans les différents manuels relatifs à l'unité de stockage Expandable Storage Plus: 2104 modèles DU3 et TU3.

Ces consignes apparaissent en anglais et dans diverses autres langues.

Consigne Danger	Indique la présence d'un risque de blessures graves, voire mortelles.
Consigne Attention	Indique la présence d'un risque de blessures légères.

Respectez toujours les consignes de sécurité lorsque vous travaillez sur des machines. Mettez vous-même en place les conditions de sécurité nécessaires dans les cas non prévus par ces consignes.

Consignes Danger

DANGER

Dans l'étape qui suit, vous allez débrancher les cordons d'alimentation. Ces cordons sont toujours alimentés si le cordon d'alimentation de l'armoire ou l'unité d'alimentation de secours sont en fonction.

DANGER

N'essayez pas d'ouvrir le bloc ventilateur-alimentation.

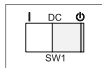
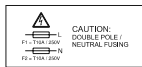
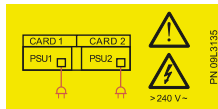
DANGER

Ne connectez pas le câble d'alimentation dans le bloc ventilateur-alimentation avant d'avoir complètement enfoncé ce dernier dans son logement et serré ses vis à fond.

DANGER

Un mauvais câblage électrique peut provoquer une mise sous tension dangereuse des parties métalliques du système ou des unités qui lui sont raccordées.
Il appartient au client de s'assurer que le socle de prise de courant est correctement câblé et mis à la terre afin d'éviter tout risque de choc électrique.
Ne déconnectez pas les cordons téléphoniques, d'interface ou d'alimentation, ni les dispositifs de protection électrique des lignes de transmission pendant un orage.

Consignes Attention



ATTENTION :

Cette unité peut posséder deux cordons d'alimentation. Pour supprimer toutes les tensions dans l'unité, débranchez les deux cordons.

ATTENTION :

Cette unité pèse 38.5 kg.

ATTENTION :

Ne pas ouvrir. Ne tenter aucune réparation. Aucune pièce n'est réparable en clientèle.

ATTENTION :

L'un des deux fusibles est sur le neutre.

ATTENTION :

Un état "Attente" est indiqué par le symbole droite de "DC" au-dessus de l'interrupteur SW1. Lorsque SW1 bascule dans la bonne position sous le symbole "Attente", l'alimentation (courant alternatif) de l'unité n'est pas coupée.

ATTENTION :

Le stabilisateur doit être solidement fixé au bas de la face avant de l'armoire pour empêcher cette dernière de basculer lorsqu'on en retire le 2104 modèle DU3.

Ne retirez pas ou n'installez pas d'unité avant d'avoir vérifié que le stabilisateur est bien fixé à l'armoire.

ATTENTION :

Le stabilisateur doit être solidement fixé au bas de la face avant de l'armoire pour empêcher cette dernière de basculer lorsqu'on installe le 2104 modèle DU3.

Ne retirez pas ou n'installez pas d'unité avant d'avoir vérifié que le stabilisateur est bien fixé à l'armoire.

ATTENTION :

Un 2104 modèle DU3 pèse au moins 38.5 Kg lorsque le nombre maximal de modules de disque est installé. N'essayez pas de soulever le modèle 2104 dans l'armoire avant d'avoir retiré tous les modules de disque.

ATTENTION :

Un 2104 modèle DU3 pèse au moins 38.5 Kg lorsque le nombre maximal de modules de disque est installé. N'essayez pas de retirer le modèle 2104 avant d'avoir retiré tous les modules de disque.

ATTENTION :

N'essayez pas de soulever seul le modèle 2104. Faites-vous aider pour la déplacer en toute sécurité.

ATTENTION :

N'insérez pas vos mains ou des outils dans l'emplacement qu'occupait le bloc de ventilation.

ATTENTION :

N'insérez pas vos mains ou des outils dans l'emplacement qu'occupait le bloc ventilateur-alimentation.

ATTENTION :

N'insérez pas vos mains ou des outils dans l'emplacement qu'occupait le bloc de la carte à commutateurs.

ATTENTION :

N'insérez pas vos mains ou des outils dans l'emplacement qu'occupait la carte d'interface SCSI.

ATTENTION :

Pour votre sécurité, ce produit est équipé d'un cordon d'alimentation à trois fils et d'une fiche de prise de courant à trois broches. Pour éviter tout risque de choc électrique, branchez ce cordon sur un socle de prise de courant correctement mis à la terre.

ATTENTION :

Tant que vous n'avez pas terminé le contrôle de sécurité, ne touchez le socle et la plaque de prise de courant qu'avec des sondes de test.

ATTENTION :

Si vous obtenez un résultat autre que l'infini, arrêtez-vous. Révissez l'installation électrique. Ne remettez pas le disjoncteur du circuit de dérivation sous tension avant d'avoir passé toutes les étapes ci-dessus.

ATTENTION :

Un 2104 modèle TU3 pèse au moins 54.5 Kg lorsque le nombre maximal de modules de disque est installé. Ne tentez pas de la soulever seul. Faites-vous aider pour la déplacer en toute sécurité.

ATTENTION :

N'utilisez pas les poignées fixées sur le ventilateur ou le bloc ventilateur-alimentation pour porter le modèle 2104. Ces poignées ne sont pas prévues pour supporter le poids de l'unité.

ATTENTION :

Lorsque vous enfoncez complètement le bloc dans son logement, le levier se place automatiquement en position fermée. Veillez à ne pas vous coincer les doigts entre le levier et le bloc.

Sicherheitshinweise

Dieser Anhang enthält die Hinweise VORSICHT und ACHTUNG, die in den verschiedenen zu Expandable Storage Plus: 2104 Modelle DU3 und TU3 gehörenden Büchern vorkommen.

Die Hinweise werden in Englisch und in weiteren Sprachen gezeigt.

Hinweis VORSICHT

Der Hinweis VORSICHT macht auf eine Gefahr aufmerksam, die tödliche oder schwere Verletzungen zur Folge haben kann.

Hinweis ACHTUNG

Der Hinweis ACHTUNG macht auf mögliche Probleme aufmerksam, die zu einer Personengefährdung führen können.

Achten Sie beim Arbeiten mit Maschinen immer auf sichere Arbeitsbedingungen. Es liegt in der Verantwortung jedes einzelnen, mögliche Sicherheitsrisiken zu erkennen, die in diesen Hinweisen nicht aufgeführt sind.

Hinweise VORSICHT

Vorsicht

Im folgenden Schritt werden die Netzkabel entfernt. Ist die Stromversorgungseinheit des Gehäuses oder die unterbrechungsfreie Stromversorgung noch eingeschaltet, führen diese Kabel Strom.

Vorsicht

Die Abdeckungen der aus Ventilator und Netzteil bestehenden Baugruppe nicht öffnen.

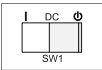
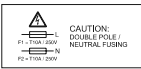
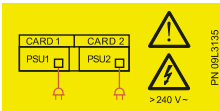
Vorsicht

Kein Netzkabel in die aus Ventilator und Netzteil bestehende Baugruppe einstecken, bis die Baugruppe vollständig eingeschoben ist und die Rändelschrauben fest angezogen sind.

Vorsicht

Bei nicht ordnungsgemäß angeschlossener Netzsteckdose können an offenliegenden Metallteilen dieses Systems oder an angeschlossenen Einheiten gefährliche Berührungsspannungen auftreten.
Für den ordnungsgemäßen Zustand der Steckdose ist der Betreiber verantwortlich.
Während eines Gewitters keine Kabel von Bildschirmeinheiten, Druckern, Telefonapparaten oder Blitzschutzeinheiten lösen.

Hinweise ACHTUNG



Achtung:
Diese Einheit könnte zwei Stromversorgungskabel haben. Um die Einheit ganz von der Netzspannung zu trennen, beide Stromversorgungskabel lösen.

Achtung:
Diese Einheit wiegt 38.5 kg.

Achtung:
Abdeckung nicht entfernen. Nicht reparieren. Keine wartungsbedürftigen Teile.

Achtung:
Zweipolige bzw. Neutralleiter-Sicherung

Achtung:
Durch das Symbol rechts von "DC", direkt über dem Schalter SW1, wird eine Bereitschaftsbedingung angegeben. Wird der Schalter SW1 nach rechts, direkt unter das Bereitschaftssymbol, gelegt, ist die Wechselstromversorgung der Einheit nicht ausgeschaltet.

Achtung:
Der Stabilisator muss ordnungsgemäß unten an der Vorderseite des Gehäuses angebracht werden, um ein Vorkippen des Gehäuses beim Entfernen des 2104 Modells DU3 zu verhindern. Keine Einheiten herausziehen oder installieren, wenn kein Stabilisator am Gehäuse montiert ist.

Achtung:
Der Stabilisator muss ordnungsgemäß unten an der Vorderseite des Gehäuses angebracht werden, um ein Vorkippen des Gehäuses beim Installieren des 2104 Modells DU3 zu verhindern. Keine Einheiten entfernen oder installieren, wenn kein Stabilisator am Gehäuse montiert ist.

Achtung:
Ein 2104 Modell DU3 wiegt bis zu 38.5 kg, wenn die maximale Anzahl von Plattenlaufwerkmodulen installiert ist. Die Einheit 2104 nicht in das Gehäuse heben, bevor alle Plattenlaufwerkmodule entfernt wurden.

Achtung:
Ein 2104 Modell DU3 wiegt bis zu 38.5 kg, wenn die maximale Anzahl von Plattenlaufwerkmodulen installiert ist. Die Einheit 2104 nicht aus dem Gehäuse entfernen, bevor alle Plattenlaufwerkmodule entfernt wurden.

Achtung:
Nicht versuchen, die Einheit 2104 alleine anzuheben. Zum Transport sind zwei Personen erforderlich.

Achtung:
Keine Hand oder Werkzeuge in den leeren Bereich einführen, in dem sich die Ventilatorbaugruppe befand.

Achtung:
Keine Hand oder Werkzeuge in den leeren Bereich einführen, in dem sich die aus Ventilator und Netzteil bestehende Baugruppe befand.

Achtung:

Keine Hand oder Werkzeuge in den leeren Bereich einführen, in dem sich die Schalterkartenbaugruppe befand.

Achtung:

Keine Hand oder Werkzeuge in den leeren Bereich einführen, in dem sich die SCSI-Schnittstellenkarte befand.

Achtung:

Netzkabel und Netzstecker dieses Gerätes entsprechen den einschlägigen Sicherheitsbestimmungen. Dieses Gerät nur an eine Schutzkontaktsteckdose mit ordnungsgemäßer Schutzleiterverbindung anschließen.

Achtung:

Die Netzsteckdose und die Abdeckplatte der Netzsteckdose nicht mit etwas anderem als den Prüfspitzen berühren, bevor diese Sicherheitsüberprüfung beendet ist.

Achtung:

Wird nicht 'Unendlich' gemessen, nicht weiterarbeiten. Die entsprechenden Korrekturen an der Verkabelung vornehmen, bevor weitergearbeitet wird. Netzstromkreis erst einschalten, wenn alle genannten Schritte richtig ausgeführt wurden.

Achtung:

Ein 2104 Modell TU3 wiegt bis zu 54.5 kg, wenn die maximale Anzahl von Plattenlaufwerkmodulen installiert ist. Zum Anheben der Einheit sind zwei Personen erforderlich.

Achtung:

Nicht die Griffe des Ventilators oder der aus Ventilator und Netzteil bestehenden Baugruppe benutzen, um die Einheit 2104 zu tragen. Diese Griffe sind nicht zum Tragen der Einheit vorgesehen.

Achtung:

Wird die Baugruppe in Grundstellung gebracht, bewegt sich der Hebel automatisch in die geschlossene Position. Darauf achten, dass die Finger nicht zwischen dem Hebel und der Baugruppe gequetscht werden.

Προειδοποιήσεις ασφάλειας

Το παράρτημα αυτό περιέχει τις σημειώσεις κινδύνου και προσοχής που χρησιμοποιούνται στα διάφορα εγχειρίδια που σχετίζονται με το προϊόν Expandable Storage Plus: 2104 Μοντέλα DU3 και TU3.

Οι σημειώσεις εμφανίζονται στα αγγλικά και σε διάφορες άλλες γλώσσες.

Σημείωση κινδύνου	Μια σημείωση κινδύνου επισημαίνει μια κατάσταση που μπορεί να είναι πολύ επικίνδυνη ή και θανατηφόρος για τους ανθρώπους.
Σημείωση προσοχής	Μια σημείωση προσοχής επισημαίνει μια κατάσταση που μπορεί να είναι επικίνδυνη για τους ανθρώπους λόγω ορισμένων συνθηκών.

Ακολουθείτε πάντα ασφαλείς διαδικασίες εργασίας όταν εργάζεστε με μηχανές. Χρησιμοποιείτε τη δική σας κρίση για να αναγνωρίζετε άλλες συνθήκες που τυχόν επηρεάζουν την ασφάλεια και δεν περιγράφονται σε αυτές τις σημειώσεις.

Σημειώσεις κινδύνου

ΚΙΝΔΥΝΟΣ

Στο ακόλουθο βήμα θα αφαιρέσετε τα καλώδια ρεύματος. Στα καλώδια αυτά υπάρχει ηλεκτρικό ρεύμα αν η μονάδα διανομής ρεύματος του ικρίωματος (rack) ή η μονάδα αδιάλειπτης παροχής ρεύματος (UPS) είναι ακόμα σε λειτουργία.

ΚΙΝΔΥΝΟΣ

Μην επιχειρήσετε να ανοίξετε τα καλύμματα της συσκευής που περικλείει την πηγή ρεύματος και τον ανεμιστήρα.

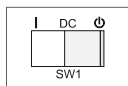
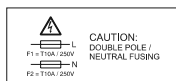
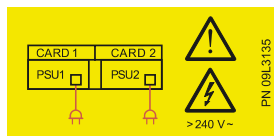
ΚΙΝΔΥΝΟΣ

Μην συνδέσετε καλώδιο ρεύματος στη συσκευή που περικλείει την πηγή ρεύματος και τον ανεμιστήρα πριν η συσκευή τοποθετηθεί στη θέση της και σφίξετε τις βίδες στήριξης.

ΚΙΝΔΥΝΟΣ

Μια ηλεκτρική πρίζα που δεν είναι καλωδιωμένη σωστά θα μπορούσε να προκαλέσει την παρουσία επικίνδυνης τάσης σε μεταλλικά εξαρτήματα του συστήματος ή στις συσκευές που προσαρτώνται στο σύστημα. Είναι ευθύνη του πελάτη να βεβαιωθεί ότι η πρίζα παροχής ρεύματος είναι σωστά καλωδιωμένη και γειωμένη ώστε να μην υπάρχει κίνδυνος ηλεκτροπληξίας. Κατά τη διάρκεια καταιγίδας, μην αποσυνδέετε καλώδια σταθμών εμφάνισης, εκτυπωτών, τηλεφώνων ή προστατευτικά σταθμών για γραμμές επικοινωνίας.

Σημειώσεις προσοχής



ΠΡΟΣΟΧΗ:

Αυτή η μονάδα μπορεί να έχει δύο καλώδια γραμμής. Για να διακόψετε πλήρως την παροχή ρεύματος, αποσυνδέστε και τα δύο καλώδια γραμμής.

ΠΡΟΣΟΧΗ:

Το βάρος αυτής της μονάδας είναι 38.5 Kg.

ΠΡΟΣΟΧΗ:

Μην αφαιρέσετε το κάλυμμα, μην επιχειρήσετε να κάνετε συντήρηση της μονάδας, δεν υπάρχουν εξαρτήματα των οποίων μπορεί να γίνει συντήρηση.

ΠΡΟΣΟΧΗ:

Ασφάλεια δύο πόλων/ουδέτερου

ΠΡΟΣΟΧΗ:

Η κατάσταση "Standby" σημειώνεται με το σύμβολο που βρίσκεται στα δεξιά της σήμανσης "DC" πάνω από το διακόπτη SW1. Αν ο διακόπτης SW1 είναι στη δεξιά θέση, κάτω ακριβώς από το σύμβολο "Standby", η παροχή εναλλασσόμενου ρεύματος της μονάδας δεν έχει διακοπεί.

ΠΡΟΣΟΧΗ:

Ο σταθεροποιητής πρέπει να προσαρτηθεί σωστά στο κάτω εμπρόσθιο μέρος του ικρίωματος ώστε να μην γείρει προς τα εμπρός το ικρίωμα κατά την αφαίρεση της μονάδας 2104 Μοντέλο DU3 από το ικρίωμα. Μην αφαιρέσετε ή εγκαταστήσετε καμία μονάδα αν δεν έχει προσαρτηθεί σταθεροποιητής στο ικρίωμα.

ΠΡΟΣΟΧΗ:

Ο σταθεροποιητής πρέπει να προσαρτηθεί σωστά στο κάτω εμπρόσθιο μέρος του ικρίωματος ώστε να μην γείρει προς τα εμπρός το ικρίωμα κατά την εγκατάσταση της μονάδας 2104 Μοντέλο DU3 στο ικρίωμα. Μην αφαιρέσετε ή εγκαταστήσετε καμία μονάδα αν δεν έχει προσαρτηθεί σταθεροποιητής στο ικρίωμα.

ΠΡΟΣΟΧΗ:

Μια μονάδα 2104 Μοντέλο DU3 έχει βάρος τουλάχιστον 38.5 Kg όταν είναι εγκατεστημένος ο μέγιστος αριθμός μονάδων δίσκων. Μην επιχειρήσετε να ανυψώσετε τη μονάδα 2104 για να την εγκαταστήσετε στο ικρίωμα αν δεν έχουν αφαιρεθεί όλες οι μονάδες δίσκων.

ΠΡΟΣΟΧΗ:

Μια μονάδα 2104 Μοντέλο DU3 έχει βάρος τουλάχιστον 38.5 Kg όταν είναι εγκατεστημένος ο μέγιστος αριθμός μονάδων δίσκων. Μην επιχειρήσετε να αφαιρέσετε τη μονάδα 2104 από το ικρίωμα αν δεν έχουν αφαιρεθεί όλες οι μονάδες δίσκων.

ΠΡΟΣΟΧΗ:

Μην επιχειρήσετε να ανυψώσετε τη μονάδα 2104 μόνος σας. Ζητήστε τη βοήθεια ενός ακόμα ατόμου.

ΠΡΟΣΟΧΗ:

Μην εισάγετε χέρια ή εργαλεία στον κενό χώρο όπου βρισκόταν η συσκευή που περικλείει τον ανεμιστήρα.

ΠΡΟΣΟΧΗ:

Μην εισάγετε χέρια ή εργαλεία στον κενό χώρο όπου βρισκόταν η συσκευή που περικλείει την πηγή ρεύματος και τον ανεμιστήρα.

ΠΡΟΣΟΧΗ:

Μην εισάγετε χέρια ή εργαλεία στον κενό χώρο όπου βρισκόταν η συσκευή που περικλείει την κάρτα διακοπών (switch card).

ΠΡΟΣΟΧΗ:

Μην εισάγετε χέρια ή εργαλεία στον κενό χώρο όπου βρισκόταν η συσκευή που περικλείει την κάρτα διεπαφής SCSI.

ΠΡΟΣΟΧΗ:

Για την ασφάλεια του χρήστη, το προϊόν αυτό είναι εξοπλισμένο με καλώδιο 3 αγωγών και φως. Χρησιμοποιείτε το καλώδιο ρεύματος μαζί με σωστά γειωμένη ηλεκτρική πρίζα για να αποφύγετε τον κίνδυνο ηλεκτροπληξίας.

ΠΡΟΣΟΧΗ:

Μην αγγίξετε την πρίζα ρεύματος ή το κάλυμμα της πρίζας με οτιδήποτε άλλο πλην των ηλεκτροδίων δοκιμών έως ότου ολοκληρώσετε αυτό τον έλεγχο ασφάλειας.

ΠΡΟΣΟΧΗ:

Αν η ένδειξη δεν είναι άπειρο, μην προχωρήσετε. Πριν συνεχίσετε, κάντε τις απαραίτητες διορθώσεις στην καλώδιωση. Μην ανάψετε το κύκλωμα διακλάδωσης CB πριν ολοκληρωθούν ικανοποιητικά όλα τα παραπάνω βήματα.

ΠΡΟΣΟΧΗ:

Μια μονάδα 2104 Μοντέλο TU3 μπορεί να έχει βάρος έως και 38.5 Kg όταν είναι εγκατεστημένος ο μέγιστος αριθμός μονάδων δίσκων. Μην επιχειρήσετε να την ανυψώσετε χωρίς τη βοήθεια ενός ακόμα ατόμου.

ΠΡΟΣΟΧΗ:

Μη χρησιμοποιείτε τις λαβές του ανεμιστήρα ή της συσκευής που περικλείει την πηγή ρεύματος και τον ανεμιστήρα για να μεταφέρετε τη μονάδα 2104. Οι λαβές αυτές δεν είναι σχεδιασμένες να υποστηρίζουν το βάρος της μονάδας.

ΠΡΟΣΟΧΗ:

Καθώς ωθείτε τη συσκευή στη θέση της, ο μοχλός επαναφέρεται αυτόματα στην κλειστή θέση. Προσέξτε να μη χτυπηθούν τα δάκτυλά σας ανάμεσα στο μοχλό και τη συσκευή.

הודעות בטיחות

נספח זה מכיל את הודעות הסכנה ואזהרות הבטיחות המופיעות בספרים השונים המתייחסים אל Expandable Storage Plus, דגם DU3 ודגם TU3.

הודעות אלה מופיעות הן באנגלית והן בשפות אחרות.

הודעת סכנה הודעת סכנה מזהירה מפני מצב העלול לגרום מוות או להיות מסוכן ביותר לבני אדם.

הודעת זהירות הודעת זהירות מפנה את תשומת הלב למצב העלול להיות מסוכן לבני אדם בגלל תנאים קיימים מסוימים.

השתמשו תמיד בנוהלי עבודה בטוחים כאשר אתם מטפלים במכונות. השתמשו בשיקול דעת כדי לזהות מצבים מסוכנים שאינם מתוארים בהודעות אלה.

הודעות סכנה

סכנה

בצעדים הבאים אתם עומדים לנתק את כבלי החשמל. בכבלים אלה עובר זרם חשמלי אם יחידת מפצל הכוח של מסד המכשירים או יחידת האל-פסק (UPS) עדיין דולקים.

סכנה

אל תנסו לפתוח את מכסי מכלול ספק הכוח והמאוורר.

סכנה

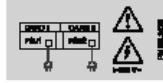
אל תחברו כבל חשמל למכלול ספק הכוח והמאוורר עד שהתקנת היחידה תושלם וכל ברגי החיזוק יהיו מהודקים.

סכנה

שקע חשמלי שאינו מחווט כהלכה יכול לגרום למתח חשמלי מסוכן בחלקי מתכת של המערכת או ההתקנים המחוברים למערכת. הלקוח אחראי להבטיח כי השקע מחווט ומוארק כראוי, כדי למנוע סכנת התחשמלות. בזמן סערת ברקים, אין לחבר כבלים של צגים, מדפסות, טלפונים או מגיני ברקים של קווי תקשורת.

הודעות זהירות

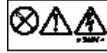
זהירות:
ליחידה זו יכולים להיות שני כבלי חשמל. לניתוק הזרם, יש לנתק את שני הכבלים.



זהירות:
יחידה זו שוקלת 38.5 ק"ג.



זהירות:
אל תסירו את המכסה, אל תבצעו טיפול שירות, אין חלקים שאפשר לטפל בהם



זהירות:
הגנת נתיך כפולה (פאזה/אפס).



זהירות:
חיווי מצב "כוננות" (standby) מופיע מימין לציון DC בדיוק מעל המתג SW1. כאשר המתג SW1 מוסט ימינה, בדיוק מתחת לחיווי הכוננות, מתח הרשת של היחידה אינו מנותק.



זהירות:

המייצב חייב להיות מחובר כראוי בתחתית מסד המכשירים כדי למנוע מהמסד ליפול קדימה בזמן הוצאת היחידות מהמסד. אל תמשכו החוצה או תתקינו יחידות אם המייצב אינו מחובר אל מסד המכשירים.

זהירות:

יחידת 2104 מדגם DU3 שוקלת 38.5 ק"ג כאשר המספר המרבי של כונני דיסקים מותקן בתוכה. אל תנסו להרים את היחידה לתוך המסד לפני שתנתקו את כל המודולים של כונני הדיסקים.

זהירות:

יחידת 2104 מדגם DU3 שוקלת 38.5 ק"ג כאשר המספר המרבי של כונני דיסקים מותקן בתוכה. אל תנסו להוציא את היחידה מהמסד לפני שתנתקו את כל המודולים של כונני הדיסקים.

זהירות:

אל תנסו להרים לבדכם את היחידה. בקשו עזרה מאדם נוסף.

זהירות:

אל תכניסו ידיים או מכשירים לחלל הריק שבו היה קודם מכלול המאוורר.

זהירות:

אל תכניסו ידיים או מכשירים לחלל הריק שבו היה קודם לכן מכלול ספק הכוח והמאוורר.

זהירות:

אל תכניסו ידיים או מכשירים לחלל הריק שבו היה קודם לכן מכלול כרטיסי המיתוג.

זהירות:

אל תכניסו ידיים או מכשירים לחלל הריק שבו היה קודם לכן מכלול כרטיסי SCSI.

זהירות:

מוצר זה מצויד בכבל חשמל ובתקע עם שלושה חוטים, לבטיחות המשתמש. חברו כבל חשמל זה לשקע חשמל מוארק כהלכה כדי למנוע סכנת התחשמלות.

זהירות:

אל תגעו בשקעים או במכסי השקעים אלא באמצעות מכשירי הבדיקה, לפני שבדיקת בטיחות זו תושלם.

זהירות:

אם הקריאה שונה מאינסוף, אל תמשיכו. בצעו את התיקונים הדרושים בחיווט לפני שתמשיכו. אל תפעילו את הנתח של קו ההזנה CB עד שכל הצעדים שלעיל יבוצעו.

זהירות:

משקלה של יחידת 2104 מדגם TU3 יכול להגיע עד 54.5 ק"ג כאשר המספר המרבי של כונני דיסקים מותקן בתוכה. אל תנסו להרים אותה ללא עזרה של אדם נוסף.

זהירות:

אל תשתמשו בידיות של המאוורר או של מכלולי המאוורר וספק הכוח כאמצעי לנשיאת היחידה. ידיות אלה אינן מיועדות לתמוך במשקל היחידה.

זהירות:

כשדוחפים את המכלול למקומו עד הסוף, ידית המנוף מוסטת למצב סגור באופן אוטומטי. היזהרו שאצבעותיכם לא ייתפסו בין המנוף למכלול.

Biztonsági figyelmeztetések

Ez a függelék azokat a veszélyjelző és figyelmeztető megjegyzéseket tartalmazza, amelyek a Expandable Storage Plus: 2104 DU3-as és TU3-as modellekhez tartozó könyvekben szerepelnek.

Ezek a figyelmeztetések angolul és más nyelveken olvashatóak.

- Veszély!** A veszélyt jelző megjegyzés az emberekre halálos, vagy különösen veszélyes helyzetekre hívja fel a figyelmet.
- Figyelmeztetés!** A figyelmeztető megjegyzés olyan helyzetekre hívja fel a figyelmet, ahol a fennálló körülmények az emberekre veszélyes helyzetet teremtenek.

Mindig tartsa be az előírt biztonsági eljárásokat a gépek szerelésénél! Hagyatkozzon a saját értékítéletére azon biztonsági feltételek esetén, amelyeket ezek a figyelmeztetések nem ismertetnek!

Veszély!

Vigyázat, veszély!

A következő lépésben a tápkábelt távolítja el. Ezek a kábelek feszültség alatt állnak, ha a tápelosztó vagy a szünetmentes tápegység (UPS) be van kapcsolva.

Vigyázat, veszély!

Ne próbálja kinyitni a tápegység borítóját!

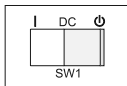
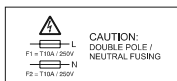
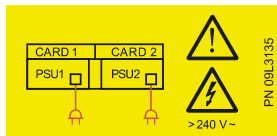
Vigyázat, veszély!

Ne csatlakoztasson hálózati kábelt a tápegységhez, amíg az nincs a helyén és a rögzítőcsavarjai nem tartják szorosan!

Vigyázat, veszély!

A nem megfelelően kábelezett elektromos foglalat veszélyes feszültséget vezethet a rendszer fém részeire és a csatlakoztatott eszközökbe.
A vásárló felelőssége, hogy biztosítsa a foglalat helyes bekötését és földelését az áramütés megelőzése érdekében.
Zivatar alatt ne húzza szét a monitorok, nyomtatók, telefonok és állomásvédő eszközök kommunikációs kábeleit!

Figyelmeztetések



Figyelem:

Előfordulhat, hogy az egységnek két tápkábele van. A teljes áramtalanítás érdekében húzza ki mindkét tápkábelt!

Figyelem:

Az egység súlya 38.5 kg.

Figyelem:

Ne távolítsa el a fedelet és ne próbálkozzon az egység szerelésével, nincs benne javítható elem!

Figyelem:

Dupla pólusú/semleges biztosítékok

Figyelem:

A "Készenléti" állapotot a DC-től jobbra, az SW1 kapcsoló feletti szimbólum jelzi. Ha az SW1 kapcsolót jobb oldali pozícióba állítja a "Készenléti" szimbólum alá, az egység tápellátása nem szűnik meg.

Figyelem:

A stabilizátort megfelelően kell a tartókeret aljára szerelni úgy, hogy a tartókeret a 2104 DU3-as modell kiserelésékor ne dőljön előre.

Ne húzzon ki és ne szereljen be egységet, ha a tartókeretre nincs stabilizátor erősítve!

Figyelem:

A stabilizátort megfelelően kell a tartókeret aljára szerelni úgy, hogy a tartókeret a 2104 DU3-as modell beszerelésékor ne dőljön előre.

Ne távolítson el és ne szereljen be egységet, ha a tartókeretre nincs stabilizátor erősítve!

Figyelem:

Ha minden lemez meghajtó telepítve van, a 2104 DU3-as modell súlya 38.5 kg is lehet. Ne próbálja meg beemelni a 2104-as modellt a tartókeretbe, amíg nincs eltávolítva az összes lemez meghajtó modul!

Figyelem:

Ha minden lemez meghajtó telepítve van, a 2104 DU3-as modell súlya 38.5 kg is lehet. Ne próbálja meg kiserelni a 2104-as modellt a tartókeretből, amíg nincs eltávolítva az összes lemez meghajtó modul!

Figyelem:

Ne próbálja egymaga felemelni a 2104-as modellt! Kérje más személy segítségét!

Figyelem:

Ne tegye a kezét vagy az eszközeit a ventilátor üres helyére!

Figyelem:

Ne tegye a kezét vagy az eszközeit a ventilátoros tápegység üres helyére!

Figyelem:

Ne tegye a kezét vagy az eszközeit a kapcsolókártya-egység üres helyére!

Figyelem:

Ne tegye a kezét vagy az eszközeit a SCSI illesztőkártya egységének üres helyére!

Figyelem:

E terméket a felhasználó biztonsága érdekében háromeres kábellel és dugasszal szerelték fel. Az áramütés elkerülése érdekében megfelelően földelt aljzatot használjon!

Figyelem:

Csak mérőműszerekkel érintse az aljzatot és az aljzat fedőlemezét, mielőtt ezt a biztonsági ellenőrzést befejezné!

Figyelem:

Abban az esetben, ha a kijelzőn nem végtelen látható, ne lépjen tovább! Folytatás előtt javítsa ki a vezetékek kapcsolásait! Ne kapcsoljon át a CB áramkörre, amíg a fenti műveleteket be nem fejezte!

Figyelem:

Ha minden lemez meghajtó telepítve van, a 2104 TU3-as modell súlya 54.5 kg is lehet. Ne próbálja felemelni mások segítségével nélkül!

Figyelem:

A 2104-as egység szállításához ne használja a ventilátor vagy a szellőztető- és tápegység fogantyúját! Ezeket a fogantyúkat nem az egység súlyának megtartására tervezték.

Figyelem:

Ahogy az összeszerelt egységet a helyére tolja, úgy záródik fokozatosan a retesz. Vigyázzon, hogy az ujja ne csípődjön be a retesz és az egység közé!

安全上の注意

この付録は、Exp Plus: 2104 モデル DU3 および TU3 に関連する各種マニュアルで使用されている危険と注意の注記を収録しています。

危険の注記

危険の注記は、人が死亡または重傷を負う可能性がある状態について注意を喚起しています。

注意の注記

注意の注記は、ある条件によっては人が重傷を負う可能性があることについて注意を喚起しています。

機器を作動させるときは常に、安全についての作業手順に従ってください。そこに記述されていないケースであっても、ユーザー自身の判断で安全な状態で作業するようにしてください。

危険の注記

危険

次のステップで電源ケーブルを取り外します。ラックの配電盤や **UPS (無停電電源装置)** の電源がオンになっている場合、このケーブルには電流が通っています。

危険

ファン付き電源装置のカバーを開けないでください。

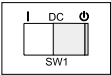
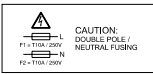
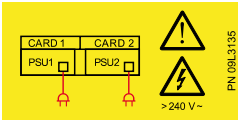
危険

装置が完全に設置され、装置の取り付けねじを締め付けるまで、電源コードをファン付き電源装置につながないでください。

危険

電源の配線が正しくないと、システムの金属部分やこのシステムに接続された他の装置に危険な電圧が発生することがあります。
電源コンセントの配線や、接地工事を正しく行い、感電を防止するのはお客様の責任です。
雷が発生している間は、モニター (表示装置)、プリンター、電話線、通信線の保護装置などの装置に接続されているケーブルを取り扱う作業は避けてください。

注意の注記



⚠ 注意

この装置には、電源コードが 2 本付いています。電源を完全に遮断するためには、2 本とも外してください。

⚠ 注意

この装置の重量は 38.5 kg です。

⚠ 注意

カバーを外さないでください。保守作業をしないでください。保守可能な部品はありません。

⚠ 注意

2 極 / 中性線ヒューズ使用

⚠ 注意

「スタンバイ」状態は、SW1 スイッチの上の DC の右にある記号で示されます。SW1 が「スタンバイ」記号の下で右側にセットされている場合、装置の AC 電源は完全に遮断されていません。

⚠ 注意

2104 モデル DU3 をラックから取り外す際、ラックが前に倒れることを防ぐために、安定板をラック底面前部に正しく取り付けてください。

安定板がラックに取り付けられていない場合は、装置の取り外しや取り付けをしないでください。

⚠ 注意

2104 モデル DU3 をラックに取り付ける際、ラックが前に倒れることを防ぐために、安定板をラック底面前部に正しく取り付けてください。

安定板がラックに取り付けられていない場合は、装置の取り外しや取り付けをしないでください。

⚠ 注意

2104 モデル DU3 の重量は、ディスク・ドライブ・モジュールを取り付けた最大構成で 38.5kg 以上です。すべてのディスク・ドライブ・モジュールが取り外されるまでは、ラックに 2104 を取り付けないでください。

注意

2104 モデル DU3 の重量は、ディスク・ドライブ・モジュールを取り付けた最大構成で 38.5kg 以上です。すべてのディスク・ドライブ・モジュールが取り外されるまでは、ラックから2104 を取り外さないでください。

注意

2104を一人で持ち上げないでください。他の人の助けを借りてください。

注意

ファンを取り出したあとの空間に手やツールを差し込まないでください。

注意

ファン付き電源装置を取り出したあとの空間に手やツールを差し込まないでください。

注意

スイッチ・カード・アセンブリーを取り出したあとの空間に手やツールを差し込まないでください。

注意

SCSI インターフェース・カード・アセンブリーを取り出したあとの空間に手やツールを差し込まないでください。

注意

この製品には、使用者保護のために 3 線式の電源ケーブルとプラグが付けられています。感電事故防止のために、この電源ケーブルと適切に接地された電源コンセントを使用してください。

注意

安全チェックが完了するまでは、テスト・プローブ以外のもので電源コンセントや電源コンセントの表面プレートにさわることがないようにしてください。

注意

電源ピンが絶縁されていることを確認するまでは作業を進めないでください。必要があれば、配線の修正を行ってください。上記のすべてのステップが正しく完了するまでは、サーキットブレーカーのスイッチを入れしないでください。

注意

2104 モデル TU3 の重量は、ディスク・ドライブ・モジュールを取り付けた最大構成で 54.5 kg 以上です。他の人の助けなしで装置を持ち上げないでください。

注意

2104 を運ぶ場合に、ファン付き電源装置やファンに取り付けてあるハンドルを使用しないでください。これらのハンドルは装置の重量を支えるようには作られていません。

注意

アセンブリーを一杯に押し込むと、レバーは閉じられた方に自動的に移動します。レバーとアセンブリーの間に指がはさまれることのないように 注意してください。

안전 경고

이 부록에는 Expandable Storage Plus: 2104 모델 DU3 및 TU3와 관련된 여러 책에서 사용되는 위험 및 경고 주의사항이 들어 있습니다.

주의사항은 영어와 그외 다양한 언어로 표시됩니다.

위험 주의사항

사용자에게 치명적일 수 있거나 매우 위험한 상황에 대해 주의를 환기시킵니다.

경고 주의사항

기존 조건때문에 사용자에게 위협할 수 있는 상황에 대해 주의를 환기시킵니다.

기계 작업을 할 때는 항상 안전 작업 절차를 따르십시오. 이 주의사항에 나와있지 않은 안전에 관한 상황은 스스로 판단해서 조치를 취하십시오.

위험 주의사항

위험

다음 단계에서 전원 케이블을 제거하는 경우, 랙 분산 장치 또는 무정전 전원 장치(UPS)의 전원이 켜져 있으면 이 케이블에는 전류가 흐르고 있는 상태입니다.

위험

송풍기 및 전원 공급 장치의 덮개를 열지 마십시오.

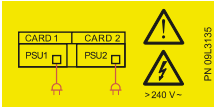
위험

송풍기 및 전원 공급 장치가 완전히 장착되고 나사를 완전히 조이기 전에는 송풍기 및 전원 공급 장치에 전원 케이블 플러그를 꽂지 마십시오.

위험

제대로 배선되지 않은 전기 콘센트는 시스템이나 해당 시스템에 부착된 장치의 금속 부분에 위험한 감전을 일으킬 수 있습니다. 감전을 방지하기 위해 콘센트가 제대로 배선되고 접지되었는지 확인하는 것은 고객의 책임입니다. 노우 중에는 표시장치, 프린터, 전화 또는 통신 회선용 장치 보호기의 케이블을 뽑지 마십시오.

경고 주의사항



주의:

이 장치에 두 개의 라인 코드가 있습니다. 모든 전원을 차단하려면 두 개의 라인 코드를 모두 연결 해제하십시오.



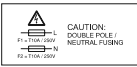
주의:

이 장치의 무게는 **38.5 kg**입니다.



주의:

덮개를 제거하지 마십시오. 서비스 가능 부품이 아니오니 서비스하지 마십시오.



주의:

이중 중성극 퓨즈



주의:

"Standby" 상태는 SW1 스위치 바로 위쪽의 "DC" 오른쪽에 기호로 표시됩니다. SW1이 "Standby" 기호 아래의 오른쪽 위치로 설정되면 장치의 AC 전원은 차단되지 않습니다.

주의:

2104 모델 DU3가 랙에서 제거되는 동안 앞쪽으로 넘어지는 것을 방지하기 위해서는 스테블라이저가 랙의 앞쪽 아래 부분에 제대로 설치되어 있어야 합니다. 스테블라이저가 랙에 접속되어 있지 않다면 어떤 장치도 꺼내거나 설치하지 마십시오.

주의:

2104 모델 DU3가 랙에 설치되는 동안 앞쪽으로 넘어지는 것을 방지하기 위해서는 스테블라이저가 랙의 앞쪽 아래 부분에 제대로 설치되어 있어야 합니다. 스테블라이저가 랙에 접속되어 있지 않다면 어떤 장치도 제거하거나 설치하지 마십시오.

주의:

디스크 드라이브 모듈이 설치되어 있는 **2104** 모델 DU3는 **38.5kg(85lb)**까지 무게가 나갑니다. 모든 디스크 드라이브 모듈이 제거되지 않은 경우, **2104**를 랙으로 들어올리지 마십시오.

주의:

디스크 드라이브 모듈이 설치되어 있는 **2104** 모델 DU3는 **38.5kg(85lb)**까지 무게가 나갑니다. 모든 디스크 드라이브 모듈이 제거되지 않은 경우, **2104**를 랙에서 제거하지 마십시오.

주의:

2104를 혼자 들어올리려고 하지 마십시오. 다른 서비스 직원에게 도움을 요청하십시오.

주의:

송풍기 장치가 있는 빈 공간에 손이나 툴을 넣지 마십시오.

주의:

송풍기 및 전원 공급 장치가 있는 빈 공간에 손이나 툴을 넣지 마십시오.

주의:

스위치 카드 장치가 있는 빈 공간에 손이나 툴을 넣지 마십시오.

주의:

SCSI 인터페이스 카드 장치가 있는 빈 공간에 손이나 툴을 넣지 마십시오.

주의:

이 제품은 사용자 안전을 위해 3회선 전원 케이블 및 플러그가 장착되어 있습니다. 감전을 피하려면 제대로 접지된 전기 콘센트에 이 전원 케이블을 사용하십시오.

주의:

해당 안전 점검을 완료하기 전에 테스트 탐침 이외의 다른 도구로 전원 콘센트 나 전원 콘센트 보호용 덮개를 만지지 마십시오.

주의:

충분히 숙지하지 않은 경우 계속하지 마십시오. 계속하기 전에 배선에 필요한 보정을 하십시오. 위의 모든 단계를 완료할 때까지 분기 회로 **CB**의 전원을 켜지 마십시오.

주의:

디스크 드라이브 모듈이 설치되어 있는 **2104** 모델 **TU3**는 **54.5kg(120lb)**까지 무게가 나갑니다. 다른 사람의 도움 없이 들어 올리려고 하지 마십시오.

주의:

2104 운반시에 송풍기 또는 송풍기 및 전원 공급 장치의 핸들을 사용하지 마십시오. 이 핸들은 장치의 무게를 지탱하지 못합니다.

주의:

장치를 완전히 제자리로 밀어넣으면, 레버가 자동으로 닫힘 위치로 이동합니다. 레버와 장치 간에 손가락이 끼이지 않도록 주의하십시오.

Avisos de Segurança

Este apêndice contém avisos de perigo e cuidado utilizados nos diversos manuais relativos a Expandable Storage Plus: 2104 Modelos DU3 e TU3.

Os avisos encontram-se em língua inglesa e noutros idiomas.

Aviso de perigo

Um aviso de perigo chama a atenção para uma situação que seja potencialmente letal ou extremamente perigosa para as pessoas.

Aviso de cuidado

Um aviso de cuidado chama a atenção para uma situação que seja potencialmente perigosa para as pessoas devido a alguma condição existente.

Utilize sempre procedimentos seguros ao trabalhar com máquinas. Recorra ao senso comum para identificar condições de segurança que estes avisos não incluam.

Avisos de Perigo

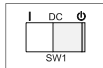
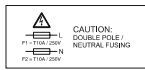
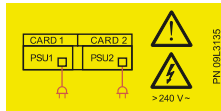
PERIGO

A etapa seguinte consiste em remover os cabos de alimentação. Estes cabos estão sob tensão se a unidade de distribuição de alimentação do bastidor ou se a unidade de fonte de alimentação ininterruptível (UPS) ainda estiver ligada.

PERIGO

N

Avisos de Cuidado



CUIDADO:

Esta unidade pode ter dois cabos eléctricos. Para remover toda a alimentação, desligue ambos os cabos eléctricos.

CUIDADO:

Esta unidade pesa 38.5 kg.

CUIDADO:

Não remova a tampa, não tente efectuar a manutenção, as peças não precisam de assistência.

CUIDADO:

Fusível de dupla polaridade/neutro

CUIDADO:

O símbolo que se encontra à direita de "CC" logo acima do interruptor, SW1, indica uma condição "Standby". Ao comutar o SW1 para a posição da direita logo abaixo do símbolo "Standby", a alimentação de CA da unidade não é desligada.

CUIDADO:

O estabilizador deve estar correctamente ligado à frente de baixo do bastidor por forma a evitar que este se incline para a frente enquanto o 2104 Modelo DU3 está a ser retirado do bastidor. Não retire nem instale unidade alguma se não tiver um estabilizador ligado ao bastidor.

CUIDADO:

O estabilizador deve estar correctamente ligado à frente de baixo do bastidor por forma a evitar que este se incline para a frente enquanto o 2104 Modelo DU3 está a ser instalado no bastidor. Não remova nem instale unidade alguma se não tiver um estabilizador ligado ao bastidor.

CUIDADO:

Um 2104 Modelo DU3 pesa cerca de 38.5kg com o número máximo de módulos de unidades de disco instalados. Não tente levantar o 2104 para o bastidor, a menos que tenham sido removidos todos os módulos de unidades de disco.

CUIDADO:

Um 2104 Modelo DU3 pesa cerca de 38.5kg com o número máximo de módulos de unidades de disco instalados. Não tente remover o 2104 do bastidor, a menos que tenham sido removidos todos os módulos de unidades de disco.

CUIDADO:

Não tente levantar o 2104 sozinho. Peça ajuda para o efeito.

CUIDADO:

Não introduza as mãos ou ferramentas no espaço vazio que continha o conjunto do ventilador.

CUIDADO:

Não introduza as mãos ou ferramentas no espaço vazio que continha o conjunto de fonte-de-alimentação-e-ventilador.

CUIDADO:

Não introduza as mãos ou ferramentas no espaço vazio que continha o conjunto da placa de interruptor.

CUIDADO:

Não introduza as mãos ou ferramentas no espaço vazio que continha o conjunto da placa de interface SCSI.

CUIDADO:

Este produto está equipado com cabo de alimentação e ficha de 3 condutores para segurança do utilizador. Utilize este cabo em conjunto com uma tomada devidamente ligada à terra para evitar choques eléctricos.

CUIDADO:

Não toque na tomada de corrente, nem no respectivo painel frontal, com objectos que não sejam pontas de prova até ter concluído esta verificação de segurança.

CUIDADO:

Se a leitura não for infinito, não continue a verificação. Efectue as correcções necessárias ao sistema de ligações antes de prosseguir. Não ligue o CB do circuito de derivação enquanto não concluir satisfatoriamente os passos descritos acima.

CUIDADO:

Um 2104 Modelo TU3 pode pesar até 54.5 kg com o número máximo de módulos de unidades de disco instalados. Não tente levantar sem ajuda.

CUIDADO:

Não utilize os manípulos dos conjuntos de ventilador ou de fonte-de-alimentação-e-ventilador para transportar o 2104. Estes manípulos não foram concebidos para suportar o peso da unidade.

CUIDADO:

Ao empurrar o conjunto totalmente para dentro, a alavanca move-se automaticamente para a posição fechada. Tenha cuidado para não entalar os dedos.

Avisos de seguridad

Este apéndice contiene los avisos de peligro y precaución que se utilizan en los diversos manuales que hacen referencia a Expandable Storage Plus: 2104 Modelos DU3 y TU3.

Los avisos se muestran en inglés y en otros idiomas diferentes.

Aviso de peligro

Un aviso de peligro llama la atención sobre una situación que, potencialmente, podría causar la muerte o un daño muy grave a las personas.

Aviso de precaución

Un aviso de precaución llama la atención sobre una situación que, potencialmente, puede resultar peligrosa para las personas a causa de una condición existente.

Siga procedimientos de trabajo seguros siempre que trabaje con máquinas. Utilice su propio juicio para identificar condiciones de seguridad que no se describen en estos avisos.

Avisos de peligro

PELIGRO

En el siguiente paso va a extraer los cables de alimentación. Estos cables están cargados si la unidad de distribución de alimentación del bastidor o la unidad de suministro de alimentación ininterrumpido todavía están conectadas.

PELIGRO

No intente abrir las cubiertas del conjunto ventilador-y-suministro-de-alimentación.

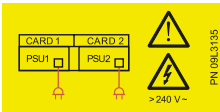
PELIGRO

No enchufe un cable de alimentación en el conjunto ventilador-y-suministro-de-alimentación hasta que el conjunto esté bien colocado en su sitio y los tornillos de mariposa estén apretados completamente.

PELIGRO

Una toma eléctrica que no tenga un cableado correcto puede hacer que las partes metálicas del sistema o los dispositivos conectados al sistema tengan un voltaje peligroso. Es la responsabilidad del usuario asegurarse de que la toma esté cableada y conectada a tierra correctamente para prevenir una descarga eléctrica. Durante una tormenta eléctrica, no desconecte los cables de las estaciones de pantalla, impresoras, teléfonos o protectores de estaciones para líneas de comunicación.

Avisos de precaución



PRECAUCIÓN:

Esta unidad tiene dos cables. Para eliminar toda la alimentación, desconecte los dos.



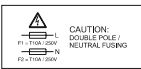
PRECAUCIÓN:

Esta unidad pesa 38.5 kg.



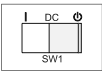
PRECAUCIÓN:

No extraiga la cubierta, no lo repare, no hay ningún componente que se pueda reparar.



PRECAUCIÓN:

Fusible de doble polo/neutro



PRECAUCIÓN:

Una condición de "espera" se indica con el símbolo que se encuentra a la derecha de "DC" directamente encima del conmutador, SW1. Cuando SW1 se coloca en la posición correcta directamente debajo del símbolo "En espera", la alimentación de CA de la unidad no está desconectada.

PRECAUCIÓN:

El estabilizador debe estar conectado de manera correcta a la parte frontal inferior del bastidor para evitar que el bastidor se incline hacia adelante mientras se extrae el 2104 Modelo DU3 del bastidor.

No extraiga ni instale ninguna unidad si no está conectado un estabilizador al bastidor.

PRECAUCIÓN:

El estabilizador debe estar conectado de manera correcta a la parte frontal inferior del bastidor para evitar que el bastidor se incline hacia adelante mientras se instala en el bastidor el 2104 Modelo DU3.

No extraiga ni instale ninguna unidad si no está conectado un estabilizador al bastidor.

PRECAUCIÓN:

Un 2104 Modelo DU3 pesa hasta 38.5 kg (85 lb) con el número máximo de módulos de unidades de disco instalados. No intente alzar el 2104 hacia el bastidor a menos que se hayan extraído todos los módulos de unidades de disco.

PRECAUCIÓN:

Un 2104 Modelo DU3 pesa hasta 38.5 kg (85 lb) con el número máximo de módulos de unidades de disco instalados. No intente extraer el 2104 del bastidor a menos que se hayan extraído todos los módulos de unidades de disco.

PRECAUCIÓN:

No intente levantar el 2104 sólo. Pida ayuda a otra persona.

PRECAUCIÓN:

No introduzca las manos ni herramientas en el espacio vacío que ocupaba el conjunto del ventilador.

PRECAUCIÓN:

No introduzca las manos ni herramientas en el espacio vacío que ocupaba el conjunto ventilador-y-suministro-de-alimentación.

PRECAUCIÓN:

No introduzca las manos ni herramientas en el espacio vacío que ocupaba el conjunto de la tarjeta conmutadora.

PRECAUCIÓN:

No introduzca las manos ni herramientas en el espacio vacío que ocupaba el conjunto de la tarjeta de la interfaz SCSI.

PRECAUCIÓN:

Este producto está equipado con un cable de alimentación de tres alambres y enchufe para más seguridad para el usuario. Utilice este cable de alimentación junto con una toma eléctrica conectada a tierra correctamente para evitar una descarga eléctrica.

PRECAUCIÓN:

No toque la toma de alimentación o la placa frontal de la misma excepto con las sondas de comprobación antes de haber completado esta comprobación de seguridad.

PRECAUCIÓN:

Si la lectura no es infinita, no continúe. Realice las correcciones necesarias en la instalación alámbrica antes de continuar. Hasta que no se hayan completado de manera satisfactoria todos los pasos anteriores no se debe encender el CB del circuito de derivación.

PRECAUCIÓN:

Un 2104 Modelo TU3 puede pesar hasta 54.5 kg (120 lb) con el número máximo de módulos de unidades de disco instalados. No intente levantar uno sin la ayuda de una segunda persona.

PRECAUCIÓN:

No utilice las asas del conjunto del ventilador ni las del conjunto ventilador-y-suministro-de-alimentación para llevar el 2104. Estas asas no están hechas para soportar el peso de la unidad.

PRECAUCIÓN:

Mientras empuja el conjunto hacia su sitio, la palanca se mueve de manera automática hacia la posición de cerrado. Asegúrese de que los dedos no se queden comprimidos entre la palanca y el conjunto.

安全警告

本附錄包含危險及注意事項，適用在與 Expandable Storage Plus: 2104 DU3 及 TU3 機型相關的不同書籍中。

注意事項以英文及其他不同語言顯示。

危險注意事項

「危險注意事項」是要提醒人們注意潛在致命或極度危險的狀況。

警告注意事項

「警告注意事項」是要提醒人們注意因現存條件而產生潛在危險的狀況。

不論何時使用機器，務必採用安全的工作程序。注意事項未說明的安全狀況，請運用自我判斷力加以識別。

危險注意事項

危險

下一步您需要拔掉電源線。如果框架式電源分送裝置或不斷電系統（UPS）仍舊開著，則這些電源線仍處於通電狀態。

危險

請勿嘗試開啓風扇與電源供應組的蓋子。

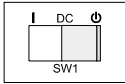
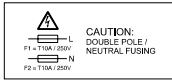
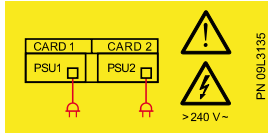
危險

除非供應組已確實歸位，且螺絲已完全鎖緊，否則請勿將電源線插頭插入風扇與電源供應組。

危險

未正確接線的電源插座，可能會使系統或與系統相連之裝置的金屬部分，帶有危險的電壓。客戶有責任確定插座已正確接線及接地，以避免電擊。雷電交加時，請勿切斷顯示站、印表機、電話，或通訊線路工作站防護設備的電源線。

警告注意事項



注意:

此裝置可能有兩條電線。要除去所有電力，請一併切斷這兩條電線。

注意:

此裝置重量為 **38.5 公斤**。

注意:

請勿將蓋子移除，沒有可用的零件時，請勿自行修理。

注意:

雙極/無熔絲保險

注意:

指示「待機」狀態的符號，位於 **SW1** 開關正上方的 **DC** 右側。當 **SW1** 切換到右側，即「待機」符號的正下方時，該裝置的交流電源尚未關閉。

注意:

穩壓器必須正確地連接在框架的下方前緣，以避免從框架移除 **2104 DU3** 機型的時候，框架的尖端遭到磨平。如果穩壓器尚未連接到框架，請勿拉出或安裝任何裝置。

注意:

穩壓器必須正確地連接在框架的下方前緣，以避免將 **2104 DU3** 機型安裝到框架上的時候，框架的尖端遭到磨平。如果穩壓器尚未連接到框架，請勿移除或安裝任何裝置。

注意:

2104 DU3 機型如安裝最大數量的硬碟模組時，重量可達 **38.5 公斤 (85 磅)**。除非已移除所有的硬碟模組，否則請勿嘗試將 **2104** 搬上框架。

注意:

2104 DU3 機型如安裝最大數量的硬碟模組時，重量可達 **38.5 公斤 (85 磅)**。除非已移除所有的硬碟模組，否則請勿嘗試將 **2104** 搬下框架。

注意:

請勿嘗試獨自搬動 **2104**。請尋求他人的協助。

注意:

請勿將手或工具插入裝有風扇組的空間。

注意:

請勿將手或工具插入裝有風扇與電源供應組的空間。

注意:
請勿將手或工具插入裝有切換卡組的空間。

注意:
請勿將手或工具插入裝有 **SCSI** 介面卡組的空間。

注意:
本產品配有三線電源線及插頭，以保護使用者的安全。使用電源線連接正確接地的電源插座，以避免電擊。

注意:
在完成安全檢查之前，請勿用探針以外的東西，碰觸電源插座或電源插座面板。

注意:
如果表上的讀數不是無窮大，請勿繼續。在繼續動作之前，請對線路進行必要的更正。請勿打開分支電路 **CB** 的電源，直到上述所有步驟均照要求完成為止。

注意:
2104 TU3 機型如安裝最大數量的硬碟模組時，重量可達 **54.5** 公斤 (**120** 磅)。沒有他人協助時，請勿嘗試獨自搬動。

注意:
請勿使用風扇或風扇與電源供應組的把手來搬運 **2104**。這些把手無法承受裝置的重量。

注意:
當您將供應組確實歸位時，開關桿會自動移至開關的位置。請確保您的手指沒有放在開關桿及供應組之間。

Index

A

- AC PWR light, fan-and-power- supply assembly 12
- Active light
 - SCSI interface card 15
- Active light, SCSI interface card 15
- activity light, disk drive module 9

B

- Box ID switch
 - interface card 18

C

- check light
 - disk drive module 9
 - disk enclosure 7
 - fan assembly 13
 - power supply assembly 12
- check light, power supply assembly 12
- configurations
 - deskside 5
 - rack-mounted 2
- controls
 - disk drive module 8
 - Subsystem 7
- cover locks 22

D

- DC On/Standby switch
 - fan-and-power-supply assembly 12
- DC PWR light, fan-and-power- supply assembly 12
- Delay Motor Start switch
 - switch card 18
- Delay Motor Start switch, interface card 18
- disk drive module
 - adding 25
 - exchanging 36
 - identifying 21
 - lights 8
- Drive Autostart switch
 - switch card 17

E

- Enable Enclosure Services switch
 - switch card 18
- Enable Enclosure Services switch, interface card 18

F

- fan-and-power- supply assembly
 - lights 11
 - Power light 12
- fan assembly
 - exchanging 55
 - lights 11

- Fault light
 - SCSI interface card 15
- Fault light, SCSI interface card 15

I

- identifying disk drive modules 21
- interface card
 - lights 14

K

- keys, reordering 23

L

- lights
 - 2104 power 7
 - disk drive module 8
 - enclosure check 7
 - fan-and-power- supply assembly 11
 - fan assembly 11
 - interface card 14
 - Subsystem 7
 - switch card 16
- locks
 - deskside unit covers 22
- LVD/SE light
 - SCSI interface card 15
- LVD/SE light, SCSI interface card 15

M

- model number, machine 80

N

- numbers, machine 80

O

- Orientation switch
 - switch card 19

P

- Power Control switch
 - switch card 17
- power light
 - 2104 7
- Power light
 - fan-and-power-supply assembly 12
- Power-Good light
 - fan-and-power- supply assembly 12
 - power supply assembly 12
- power-supply assembly
 - exchanging 45
- power switch
 - fan-and-power- supply assembly 12
- problems
 - dealing with 35

problems (*continued*)
reporting 80

R

Reset light
 SCSI interface card 15
Reset light, SCSI interface card 15
Rotary switch
 interface card 18

S

SCSI Address switch
 switch card 19
SCSI Bus Split switch
 switch card 19
SCSI Cable type
 SCSI interface card 15
SCSI Interface Card
 exchanging 62
security 22
Select Enclosure Services switch
 switch card 18
Select Enclosure Services switch, interface card 18
serial number, machine 80
Subsystem
 configuration 2, 5
 controls 7
 lights 7
 power control 7
 turning power on and off 7
switch card
 lights 16
Switch Card
 exchanging 73
system
 identifying 80

T

TERM POWER light
 SCSI interface card 15
TERM POWER light, SCSI interface card 15
turning power on and off 7
type number, machine 80

Vos remarques sur ce document / Technical publication remark form

Titre / Title : Bull 2104 Model DU3 Expandable Storage Plus Operator's Guide

N° Référence / Reference N° : 86 A1 16EF 01

Daté / Dated : December 2000

ERREURS DETECTEES / ERRORS IN PUBLICATION

AMELIORATIONS SUGGEREES / SUGGESTIONS FOR IMPROVEMENT TO PUBLICATION

Vos remarques et suggestions seront examinées attentivement.

Si vous désirez une réponse écrite, veuillez indiquer ci-après votre adresse postale complète.

Your comments will be promptly investigated by qualified technical personnel and action will be taken as required.

If you require a written reply, please furnish your complete mailing address below.

NOM / NAME : _____ Date : _____

SOCIETE / COMPANY : _____

ADRESSE / ADDRESS : _____

Remettez cet imprimé à un responsable BULL ou envoyez-le directement à :

Please give this technical publication remark form to your BULL representative or mail to:

**BULL CEDOC
357 AVENUE PATTON
B.P.20845
49008 ANGERS CEDEX 01
FRANCE**

Technical Publications Ordering Form

Bon de Commande de Documents Techniques

To order additional publications, please fill up a copy of this form and send it via mail to:

Pour commander des documents techniques, remplissez une copie de ce formulaire et envoyez-la à :

BULL CEDOC
ATTN / MME DUMOULIN
357 AVENUE PATTON
B.P.20845
49008 ANGERS CEDEX 01
FRANCE

Managers / Gestionnaires :
Mrs. / Mme : C. DUMOULIN +33 (0) 2 41 73 76 65
Mr. / M : L. CHERUBIN +33 (0) 2 41 73 63 96
FAX : +33 (0) 2 41 73 60 19
E-Mail / Courrier Electronique : srv.Cedoc@franp.bull.fr

Or visit our web sites at : / Ou visitez nos sites web à :

<http://www.logistics.bull.net/cedoc>

<http://www-frec.bull.com> <http://www.bull.com>

CEDOC Reference # N° Référence CEDOC	Qty Qté	CEDOC Reference # N° Référence CEDOC	Qty Qté	CEDOC Reference # N° Référence CEDOC	Qty Qté
__ - - - - - [__]		__ - - - - - [__]		__ - - - - - [__]	
__ - - - - - [__]		__ - - - - - [__]		__ - - - - - [__]	
__ - - - - - [__]		__ - - - - - [__]		__ - - - - - [__]	
__ - - - - - [__]		__ - - - - - [__]		__ - - - - - [__]	
__ - - - - - [__]		__ - - - - - [__]		__ - - - - - [__]	
__ - - - - - [__]		__ - - - - - [__]		__ - - - - - [__]	
__ - - - - - [__]		__ - - - - - [__]		__ - - - - - [__]	
[__] : no revision number means latest revision / pas de numéro de révision signifie révision la plus récente					

NOM / NAME : _____ Date : _____

SOCIETE / COMPANY : _____

ADRESSE / ADDRESS : _____

PHONE / TELEPHONE : _____ FAX : _____

E-MAIL : _____

For Bull Subsidiaries / Pour les Filiales Bull :

Identification: _____

For Bull Affiliated Customers / Pour les Clients Affiliés Bull :

Customer Code / Code Client : _____

For Bull Internal Customers / Pour les Clients Internes Bull :

Budgetary Section / Section Budgétaire : _____

For Others / Pour les Autres :

Please ask your Bull representative. / Merci de demander à votre contact Bull.

BULL CEDOC
357 AVENUE PATTON
B.P.20845
49008 ANGERS CEDEX 01
FRANCE

ORDER REFERENCE
86 A1 16EF 01

PLACE BAR CODE IN LOWER
LEFT CORNER



Utiliser les marques de découpe pour obtenir les étiquettes.
Use the cut marks to get the labels.



2104 Model DU3
Expandable
Storage Plus
Operator's Guide
86 A1 16EF 01



2104 Model DU3
Expandable
Storage Plus
Operator's Guide
86 A1 16EF 01



2104 Model DU3
Expandable
Storage Plus
Operator's Guide
86 A1 16EF 01

