

Bull

Cabling Guide for Multiple Bus Systems

ORDER REFERENCE
86 A1 70JX 03

Bull



Bull

Cabling Guide for Multiple Bus Systems

Hardware

January 2000

**BULL ELECTRONICS ANGERS
CEDOC
34 Rue du Nid de Pie – BP 428
49004 ANGERS CEDEX 01
FRANCE**

**ORDER REFERENCE
86 A1 70JX 03**

The following copyright notice protects this book under the Copyright laws of the United States of America and other countries which prohibit such actions as, but not limited to, copying, distributing, modifying, and making derivative works.

Copyright © Bull S.A. 1992, 2000

Printed in France

Suggestions and criticisms concerning the form, content, and presentation of this book are invited. A form is provided at the end of this book for this purpose.

To order additional copies of this book or other Bull Technical Publications, you are invited to use the Ordering Form also provided at the end of this book.

Trademarks and Acknowledgements

We acknowledge the right of proprietors of trademarks mentioned in this book.

AIX[®] is a registered trademark of International Business Machines Corporation, and is being used under licence.

UNIX is a registered trademark in the United States of America and other countries licensed exclusively through the Open Group.

Contents

CHAPTER 1. SYSTEM CONNECTIONS

1.1 LOCAL RS232 SERIAL PORTS CONNECTIONS	1
1.2 REMOTE RS232 SERIAL PORTS CONNECTIONS.....	2
1.3 PRINTER, KEYBOARD AND MOUSE CONNECTIONS	3
1.4 SVGA AND SCSI SYSTEM CONNECTIONS.....	3
1.5 ETHERNET SYSTEM CONNECTIONS.....	4

CHAPTER 2. SCSI-PCI ADAPTERS CONNECTIONS

2.1 EXTERNAL PERIPHERALS SUPPORTED	5
2.1.1 8 Bit Devices.....	5
2.1.2 16 Bit Devices.....	5
2.2 8 BIT SE ADAPTERS CONNECTIONS	6
2.2.1 8 Bit SE External Devices with Dual Connectors.....	6
2.3 16 BIT SE EXTERNAL CABINETS	7
2.3.1 JBOD Type A (NSTOR).....	7
2.3.2 JBOD Type B (8 BAY CABINET).....	8
2.4 8 BIT DE ADAPTERS CONNECTIONS.....	9
2.4.1 8 Bit DE External Devices : Libraries.....	9
2.5 16 BIT DE EXTERNAL DEVICES	10
2.6 DISK ARRAY CONNECTIONS.....	11
2.6.1 DAS150 - Basic Configuration.....	11
2.6.2 nStor -RAID Basic Configuration	12
2.6.3 Native HA Low Cost Configuration.....	13
2.6.4 HA Configuration (Inter-Cabinets Connections)	14
2.6.5 HA Configuration (Adapters/Devices Connections).....	15
2.6.6 DAS1300/2900/3200 - Basic	16
2.6.7 DAS1300/2900/3200 - Extended Conf. 1 & 2.....	17
2.6.8 DAS1300/2900/3200 - Extended Conf. 3 & 4.....	18
2.6.9 DAS1300/2900/3200 - Dual Initiator/Dual Adapter Conf.....	19
2.6.10 DAS1300/2900/3200 - Multi Node High Availability Conf.....	20

CHAPTER 3. FIBER CHANNEL PCI ADAPTERS LINKS

3.1 STANDARD FIBER CHANNEL LINKS	21
3.1.1 Copper Fiber Channel Links	21
3.1.2 Optical Fiber Channel Links	22
3.1.2.1 Multimode Links	22
3.1.2.2 Monomode Links	23
3.1.3 Mixing Copper and Optical Fiber Channel Links.....	24
3.2 HA FIBER CHANNEL LINKS.....	25
3.3 EMC LINK	26
3.4 DAE DAISY CHAIN	27

CHAPTER 4. STANDARD SSA SUBSYSTEM CONNECTIONS

4.1 SINGLE SSA CONFIGURATIONS (UP TO 8 DISK DRIVES)	29
4.2 SINGLE SSA CONFIGURATIONS (FROM 9 TO 16 DISK DRIVES)	30
4.3 SINGLE SSA CONFIGURATIONS (UP TO 24 DISK DRIVES)	31
4.4 MULTIPLE SSA CONFIGURATIONS (EXEMPLE FOR 32 DISK DRIVES)	32

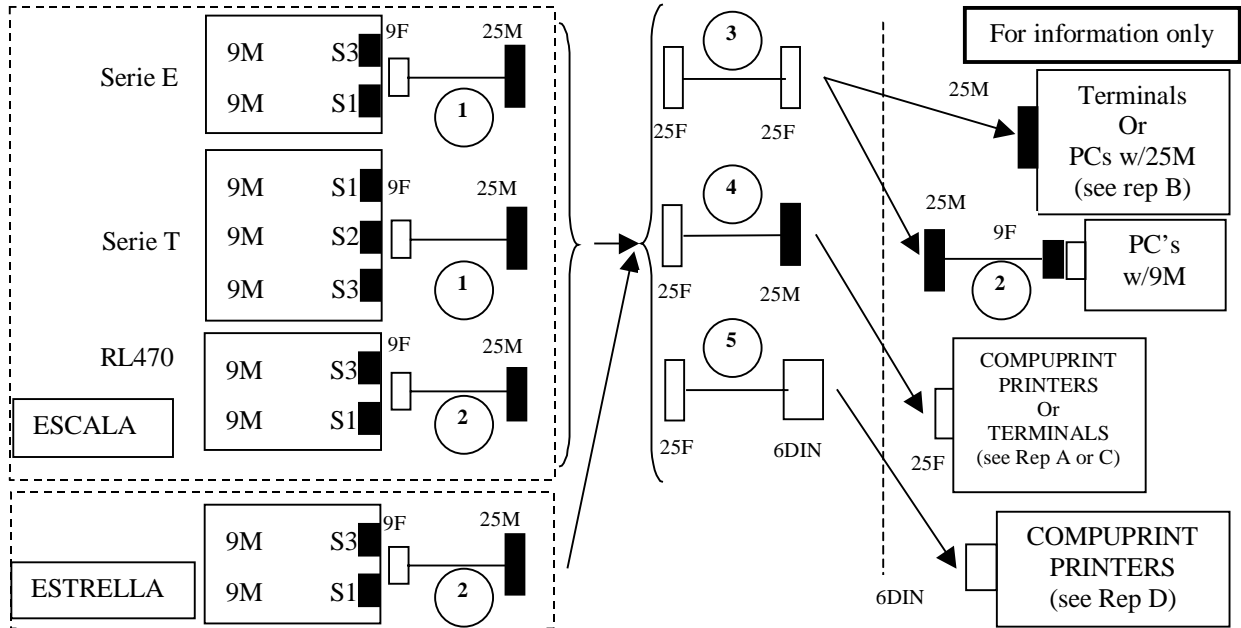
CHAPTER 5. GRAPHICS ADAPTERS CONNECTIONS

5.1 8BIT-2D GRAPHICS ADAPTER (MODEL A)	33
5.2 8BIT-2D GRAPHICS ADAPTER (MODEL B)	34
5.3 8BIT-2D GRAPHICS ADAPTER (MODEL C)	35
5.4 MATROX GRAPHICS ADAPTER	36
5.5 2D GXT120P & GXT130P GRAPHICS ADAPTERS	37
5.6 2D GXT255P GRAPHICS ADAPTER	38

5.7 3D GXT2000P GRAPHICS ADAPTER	39
CHAPTER 6. ASYNCHRONOUS ADAPTERS CONNECTIONS	
6.1 COMM - ISA ADAPTERS CONNECTIONS	41
6.1.1 4/8 Ports Local RS232	41
6.1.2 4/8 Ports Remote RS232	42
6.1.3 8 Ports Local RS422 to BCS1 with Sub-D	43
6.1.4 8 Ports Local RS422 to BCS2 with Modular Jack	44
6.1.5 128 Ports/16 Ports Cluster Box Local/Remote RS232	45
6.1.6 128 Ports/16 Ports Cluster Box Local RS232	46
6.2 COMM - PCI ADAPTERS CONNECTIONS	47
6.2.1 8 Ports Local RS232	47
6.2.2 8 Ports Remote RS232	48
6.2.3 8 Ports Local RS422	49
6.2.4 8 Ports Local RS422 to BCS1 with Sub-D	50
6.2.5 8 Ports Local RS422 to BCS2 with Modular Jack	51
6.2.6 64 Ports / 16 Ports Connection Box	52
6.2.7 64 Ports Local RS232	53
6.2.8 64 Ports Remote RS232	54
6.2.9 64 Ports Local RS422	55
6.2.10 64 Ports Local RS422 to BCS1 with Sub-D	56
6.2.11 64 Ports Local RS422 to BCS2 with Modular Jack	57
6.2.12 128 Ports/16 Ports Con Box Local/Remote RS232 (Model A)	58
6.2.13 128 Ports/16 Ports Con Box Local RS232 (Model A)	59
6.2.14 128 Ports/16 Ports Con Box RS232/422 (Model B)	60
6.2.15 128 Ports/16 Ports Con Box RS232 (Model B)	61
6.2.16 128 Ports/16 Ports Con Box Local RS422 (Model B)	62
6.2.17 128 Ports/16 Ports Con Box Local RS422 to BCS1 (Model B)	63
6.2.18 128 Ports/16 Ports Con Box Local RS422 to BCS2 (Model B)	64
CHAPTER 7. WAN ADAPTERS CONNECTIONS	
7.1 WAN - ISA ADAPTERS CONNECTIONS	65
7.1.1 1 Port High-Speed X25	65
7.1.2 ISDN / X25 Adapter	66
7.2 WAN - PCI ADAPTERS CONNECTIONS	67
7.2.1 4 Ports High-Speed X25	67
7.2.2 1 Port High-Speed X25	68
7.2.3 2 Port Multiprotocol Adapter	69
CHAPTER 8. LAN ADAPTERS CONNECTIONS	
8.1 TOKEN RING	71
8.2 ETHERNET "THICK" 10 BASE 5	72
8.3 ETHERNET "THIN" 10 BASE 2	73
8.4 ETHERNET "TWISTED PAIR" 10 BASE T	74
8.5 ETHERNET "TWISTED PAIR" 100 BASE TX	75
8.6 FDDI FIBER SINGLE RING	76
8.7 FDDI FIBER DUAL RING	77
8.8 FDDI UTP SINGLE RING	78
8.9 ATM 155 MMF ADAPTER	79
8.10 ATM 155 MMF ADAPTER	79
8.11 ATM 155 UTP ADAPTER	80
8.12 1 GIGABIT ETHERNET-SX ADAPTER FOR LAN	80

Chapter 1. System Connections

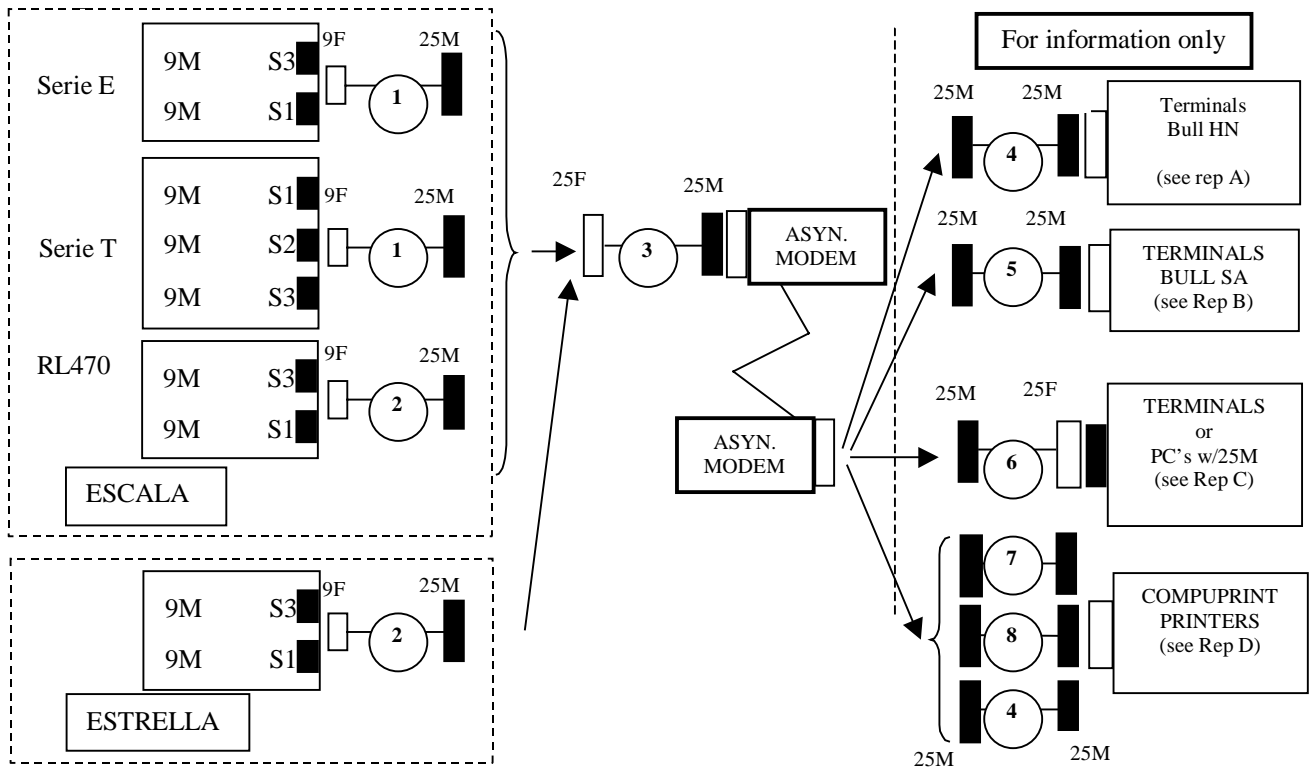
1.1 Local RS232 Serial Ports Connections



item	M.I.	FC	Designation	Length	FRU
1	n/a	n/a	9F/25M Cable	0,3m	76958073-002
2	CBL1912	n/a	9F/25M Cable	0,3m	76958073-002
3	CBLG105-1600	n/a	25F/25F Cable	3,5m	90233001-001
	CBLG105-1800			7,5m	90233002-001
	CBLG105-2000			15m	90233003-001
4	CBLG104-1600 CBLG104-2000	n/a	25F/25M Cable	3,5m	90232001-001
				15m	90232002-001
5	CBLG140-1700	n/a	25F/6Din Cable	5m	90534001-001

Rep	Designation
A	Terminals:(BDS1-BDS3) – BQ303 – BQ306 – BQ3158
B	Terminals:BQ310 – BQ3102 – BQ3103 – BQ3158
C	Printers: 922 – 923 – 924N – 4/51 – 4/54 – 970 - 1070 PM201 – PM411 – PM422 – PM721 – PM1021 413 – 825 – 956 – 815 – 1015 - 1025
D	Printers: 922 – 923 – 924 – 924N

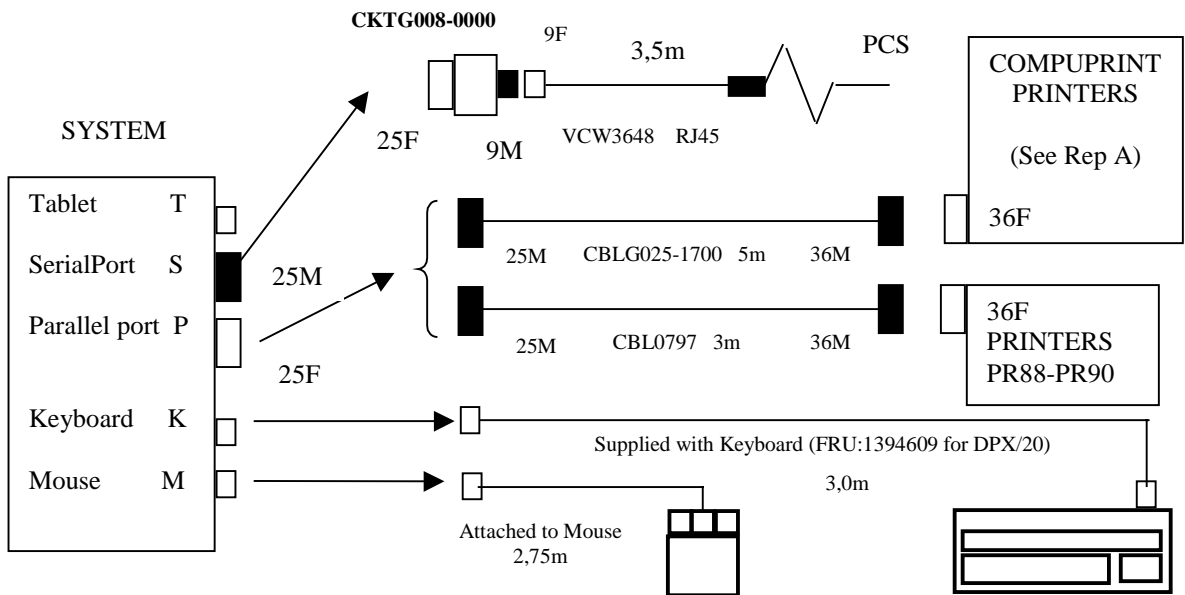
1.2 Remote RS232 Serial Ports Connections



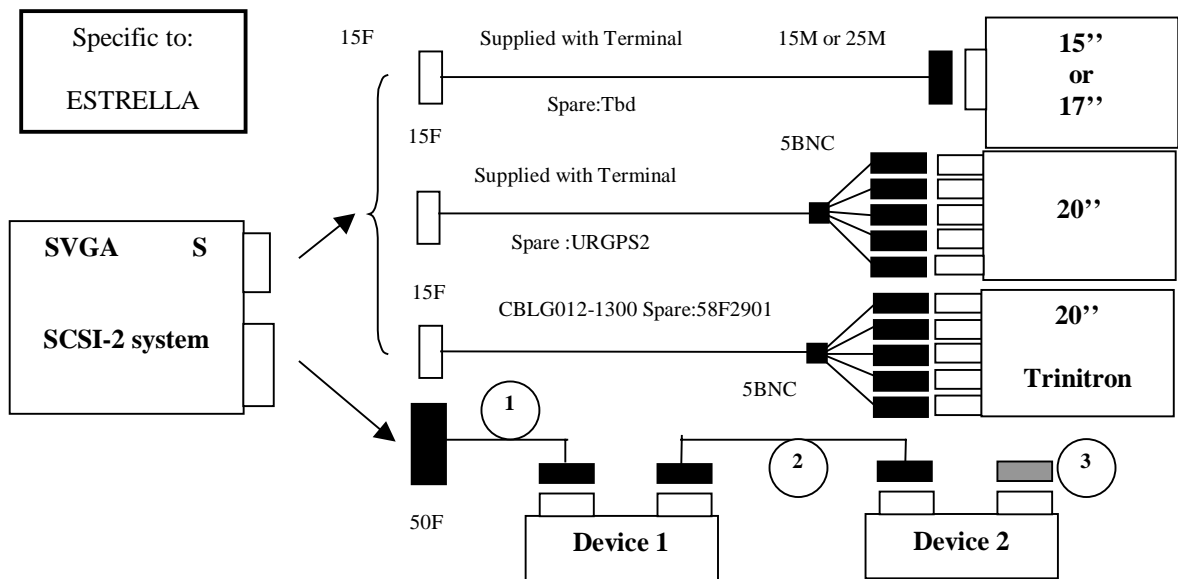
item	M.I.	FC	Designation	Length	FRU
1	n/a	n/a	9F/25M Cable	0,3m	76958073-002
2	CBL1912	n/a	9F/25M Cable	0,3m	76958073-002
3	CBLG106-2000	n/a	25F/25M Cable	15m	90234001-001
4	VCW160x	n/a	25M/25M Cable	3/15m	
5	CBL2111	n/a	25M/25M Cable	2,5m	
6	CBL2101	n/a	25M/25F Cable	3,6m	
7	CBL1214	n/a	25M/25M Cable	2,5m	
8	CBL7500	n/a	25M/25M Cable	10m	

Rep	Designation
A	Terminals:(BDS1-BDS3) – BQ303 – BQ306 – BQ3158
B	Terminals:BQ303 – BQ306
D	Printers: 922 – 923 – 924N – 4/51 – 4/54 – 970 - 1070 PM201 – PM411 – PM422 – PM721 – PM1021 413 – 825 – 956 – 815 – 1015 - 1025
C	Terminals:BQ310 – BQ3102 – BQ3103 – BQ3156

1.3 Printer, Keyboard and Mouse Connections

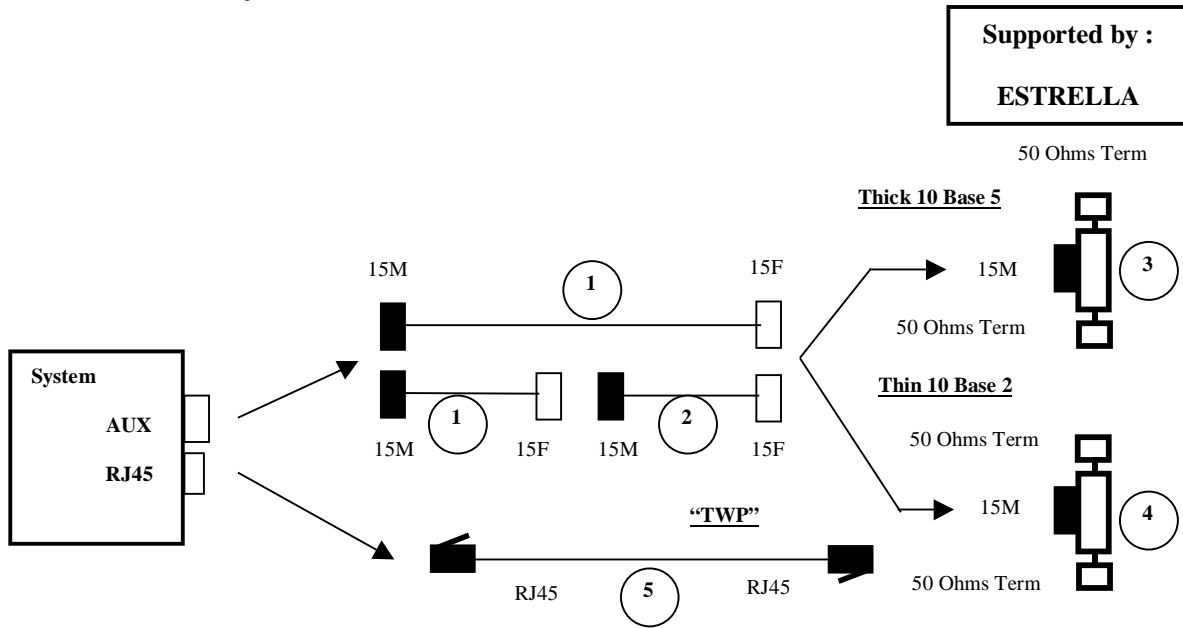


1.4 SVGA and SCSI System Connections

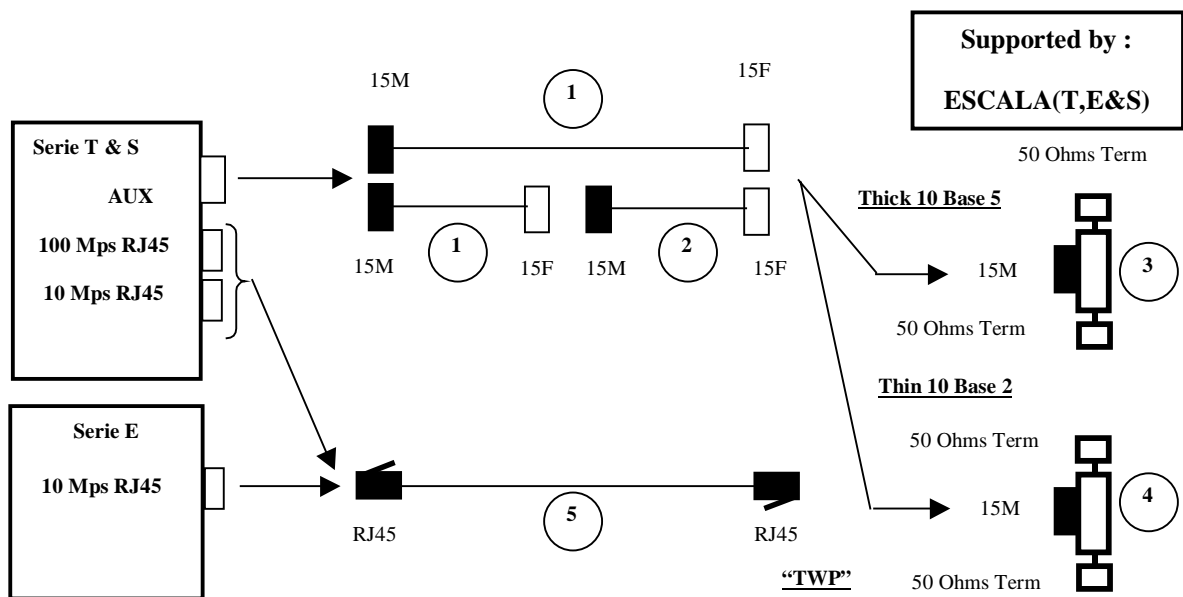


Allowed Conf.	Ctrl to Dev (Dual Con)	Ctrl to Dev (Single Con.)	Dev to Dev	Terminator
	1	1	2	3
CDRG006-0000 and MTSG007-0000	CBLG004-1400 90281001-001 (2,5m)	CBLG028-1200 32G0397 (1,5m)	CBLG014-1000 31F4222 (0,7m)	51G7736
CDRG011-0000 and MTSG013-0000	CBLG004-1400 90281001-001 (2,5m)	n/a	CBLG003-1100 78201671-002 (1,1m)	

1.5 Ethernet System Connections



Item	M.I.	Designation	Length	Spare
1	VCW3630	Ethernet Thick cable	5,0m	76958087-001
2	VCW3631	Ethernet Thick Cable	10,0m	76958113-001
3	DCD7020	10Base6 Transceiver	Tbd	Tbd
4	DCD7021	10Base2 Transceiver	Tbd	Tbd
5	5153	Cable RJ45 to RJ45	5,0m	76957930-508



Item	M.I.	Designation	Length	Spare
1	VCW3630	Ethernet Thick cable	5,0m	76958087-001
2	VCW3631	Ethernet Thick Cable	10,0m	76958113-001
3	DCD7020	10Base6 Transceiver	Tbd	Tbd
4	DCD7021	10Base2 Transceiver	Tbd	Tbd
5	CBLG179-1900	Cable RJ45 to RJ45	10,0m	91094001-001

Chapter 2. SCSI-PCI Adapters Connections

2.1 External Peripherals Supported

2.1.1 8 Bit Devices

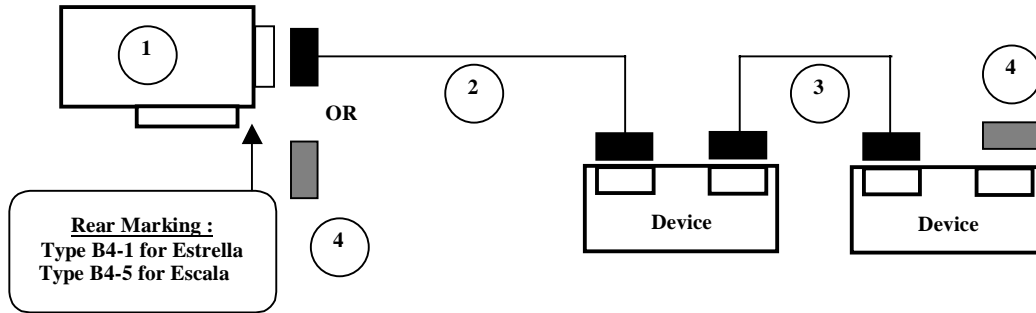
<u>SE 8-bit</u>	<u>DE 8-bit</u>
Dual Connector	Dual Connector
600Mb 4xCD-Rom CDRG011-0000 7210-010	EXB 210 CTLG003-0000
QIC 2,5/5 MB Tape MTSG013-0000 n/a	EXB 440 CTLG004-0000
9 Track Tape MTSG009-0000 STK 9914	EXB 480 CTLG005-0000
7/14GB EXT.8MM VDAT MTSG016-0200	DLT4000 for libraries CTLG008-0000 LXB4210

2.1.2 16 Bit Devices

<u>SE 16-bit</u>	<u>DE 16-bit</u>
Dual Connector	Dual Connector
	DAS150 DASG023-0000 C0150/B
	DAS1300 DASG011-0000 C1100D/B
	DAS2900 DASG025-0000 C2800D/B
	DLT7000 Table Top MTSG017-0000
	DLT4000 Table Top MTSG014-0000
	External VDAT 8MM MAMMOTH MTSG015-0000

2.2 8 Bit SE Adapters Connections

2.2.1 8 Bit SE External Devices with Dual Connectors



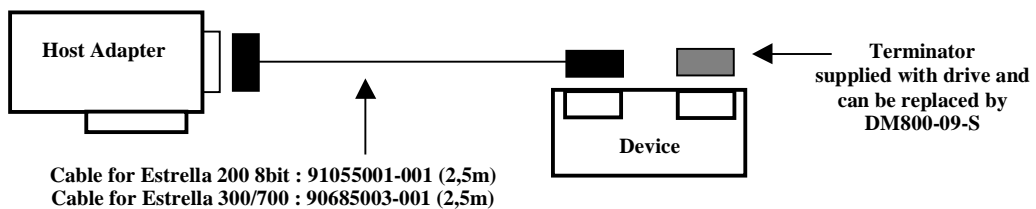
Bus PCI Supported by : ESTRELLA

SCSI Adapter			Ctrl to Dev	Dev to Dev	Terminators
1			2	3	4
Type	FC	Pts	Specify - FC	Specify - FC	Box
SCSI-2 F/W	n/a		2111	n/a	58NW9419A20
MSCG014-0000			CBLG156-1400	CBLG003-1400	
01-W2766D01B or			90683001-001 (2,5m)	78201671-002 (1,1m)	
01-W2940D01A					

Bus PCI Supported by :
ESCALA E ,E230 ,EPC400
EPC430 ,T & T430 Series

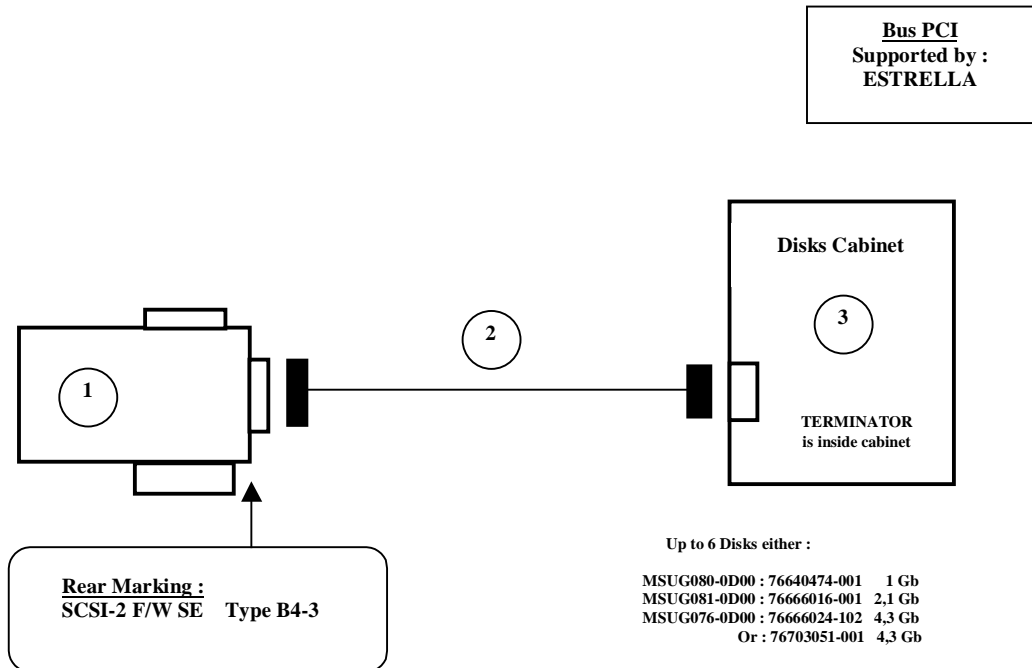
SCSI Adapter			Ctrl to Dev	Dev to Dev	Terminators
1			2	3	4
Type	FC	Pts	Specify - FC	Specify - FC	Box
Ultra SCSI	n/a		2111	n/a	n/a
MSCG022-0000			CBLG156-1400	CBLG003-1400	
76726733-x01			90683001-001 (2,5m)	78201671-002 (1,1m)	

ONLY for MTSG016-0200 (7/14GB VDAT 8MM EXT. SE) :



2.3 16 Bit SE External Cabinets

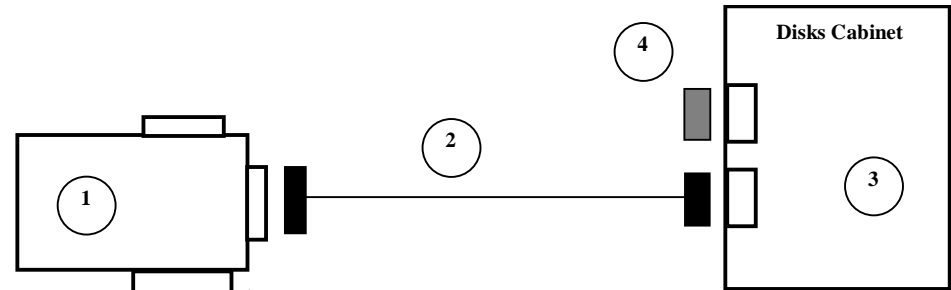
2.3.1 JBOD Type A (NSTOR)



SCSI Adapter		Ctrl to Cab	Cabinet
1		2	3
Type	FC	Specify - FC	Specify - FC
SCSI-2 F/W	n/a	n/a	n/a
MSCG027-0000		CBLG157-1300	CABG021-000x
76729586-104		90676002-002 (2,0m)	n/a

2.3.2 JBOD Type B (8 BAY CABINET)

Bus PCI Supported by :
ESTRELLA ,ESCALA S Series



Rear Marking :
SCSI-2 F/W SE Type B4-3

Up to 7 Disks or Tapes either :

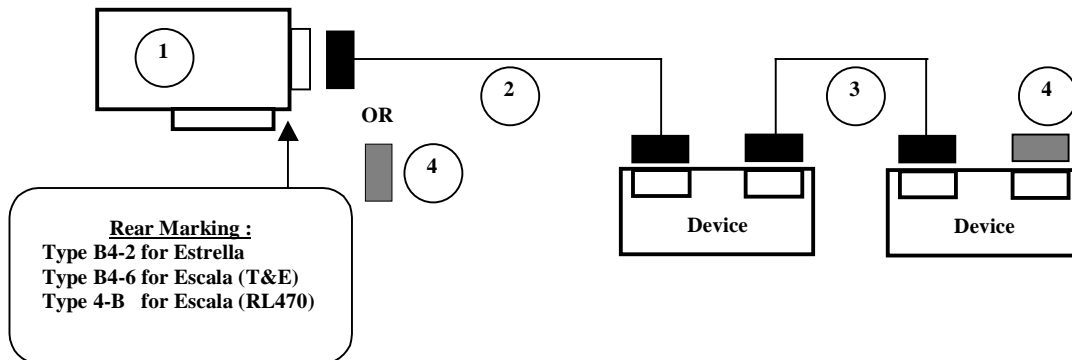
- MSUG080-0J00 : 76660014-001 1 GB
- MSUG081-0J00 : 7666015-001 2,1 GB
- MSUG076-0J00 : 7666021-103 4,3 GB
- or : 76703050-001 4,3 GB
- MSUG083-0J00 : 7666022-001 9,1 GB
- or : 76703052-001 9,1 GB
- MSUG088-0J00 : 7666020-103 2,1 GB
- MSUG099-0J00 : 76703052-203 9,1 GB
- MSUG103-0J00 : 76703050-003 4,3 GB

- MTUG021-0J00 : 76703027-102 2,5/5 GB Qic
- MTUG019-0J00 : 76640352-004 7/14 GB Vdat
- MTUG019-0J20 : 7666054-004 7/14 GB Vdat
- MTUG022-0J00 : 76640465-104 4/8 GB DAT 4MM
- MTUG032-0J00 : 7666049-xxx 16/32GB QIC
- MTUG028-0J00 : 7666063-xxx 12/24GB DAT 4MM
- MTUG029-0J00 : 7666054-xxx 7/14GB High Perf VDAT 8MM

SCSI Adapter		Ctrl to Cab	Cabinet	Terminator
1		2	3	4
Type	FC	Specify - FC	Specify - FC	Specify - FC
SCSI-2 F/W	n/a	n/a	n/a	
MSCG027-0000		CBLG157-1100	CABG022-0Jxy	90054002-001
76729586-104		90676006-002 (0,9m)	n/a	

2.4 8 Bit DE Adapters Connections

2.4.1 8 Bit DE External Devices : Libraries



Bus PCI Supported by :
ESTRELLA

SCSI Adapter			Ctrl to Dev	Dev to Dev	Terminators
1			2	3	4
Type	FC	Pts	Specify - FC	Specify - FC	Box
SCSI-2 F/W	n/a		n/a	2423	
MSCG015-0000			CBLG158-1700	CBLG072-1400	58NW9419A20 or
01-W2766D02A or			90685001-001 (4,75m)	52G7349 (2,5m)	900540001-001
01-W2940D02A					

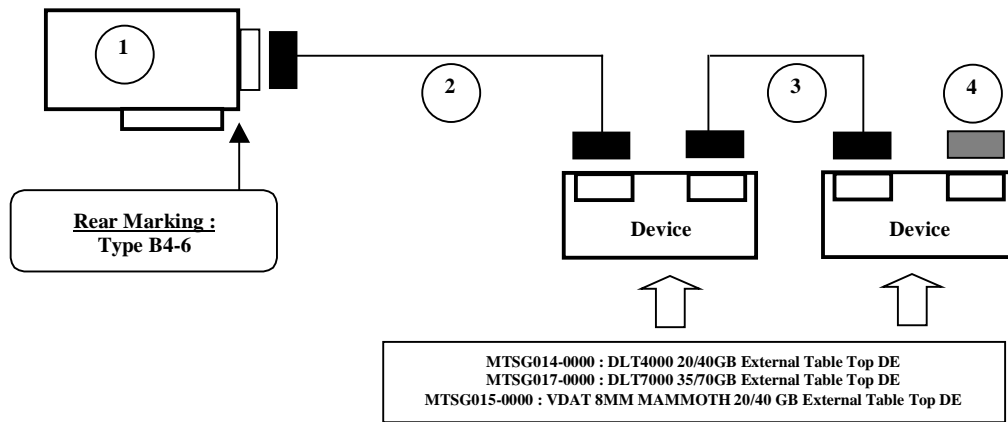
Bus PCI Supported by :
ESCALA E ,E230 ,EPC400
EPC430 ,T & T430 Series

SCSI Adapter			Ctrl to Dev	Dev to Dev	Terminators
1			2	3	4
Type	FC	Pts	Specify - FC	Specify - FC	Box
Ultra SCSI	n/a		n/a	2423	
MSCG023-0000			CBLG158-1700	CBLG072-1400	n/a
76729734-x01			90685001-001 (4,75m)	52G7349 (2,5m)	

Bus PCI Supported by :
ESCALA RL470/A
& EPC1200/A

SCSI Adapter			Ctrl to Dev	Dev to Dev	Terminators
1			2	3	4
Type	FC	Pts	Specify - FC	Specify - FC	Box
Ultra SCSI	6209		n/a	2423	
68 MSCG032-0000			CBLG158-1700	CBLG072-1400	n/a
93H8407			90685001-001 (4,75m)	52G7349 (2,5m)	

2.5 16 BIT DE EXTERNAL DEVICES



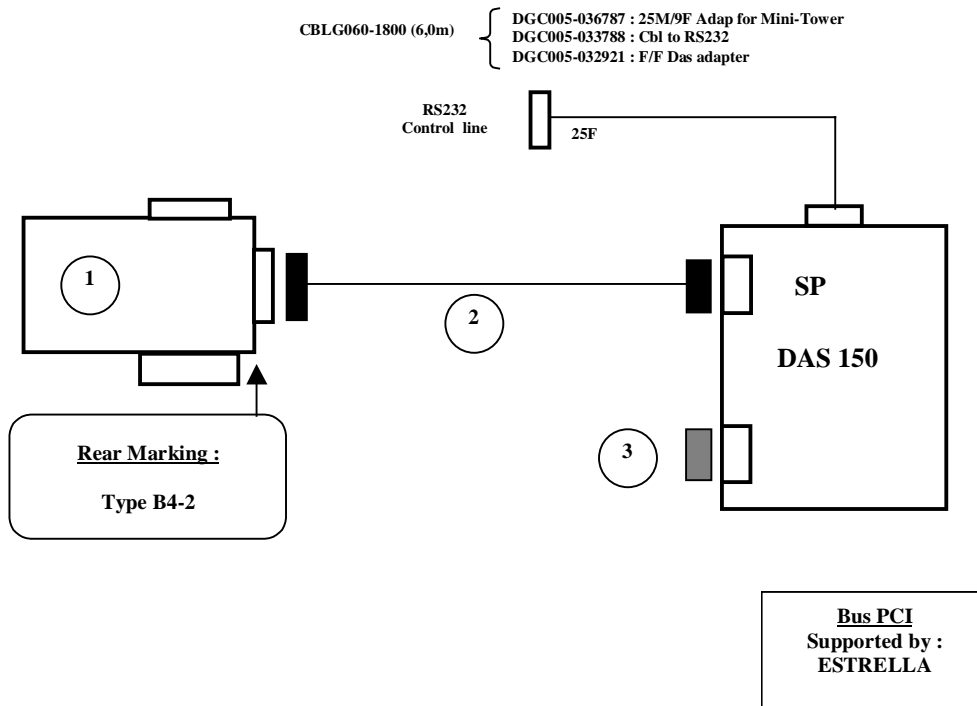
WARNING : -2 DLT4000 maximum on the same adapter.
 -1 DLT7000 only on the same adapter.
 -1 MAMMOTH only on the same adapter.

REMARK : DLT4000 is a 8 bit device but connectics is 16 bit.

SCSI Adapter			Ctrl to Dev	Dev to Dev	Terminators
1			2	3	4
Type	FC	Pts	Specify - FC	Specify - FC	Box
PCI ULTRA SCSI DE		n/a	n/a	n/a	Supplied with Devices and can be replaced by 90054001-001
MSCG023-0000			CBLG157-1300	CBLG157-1100	
76729734-001			90676002-002 (2,0m)	90676006-002 (1,0m)	

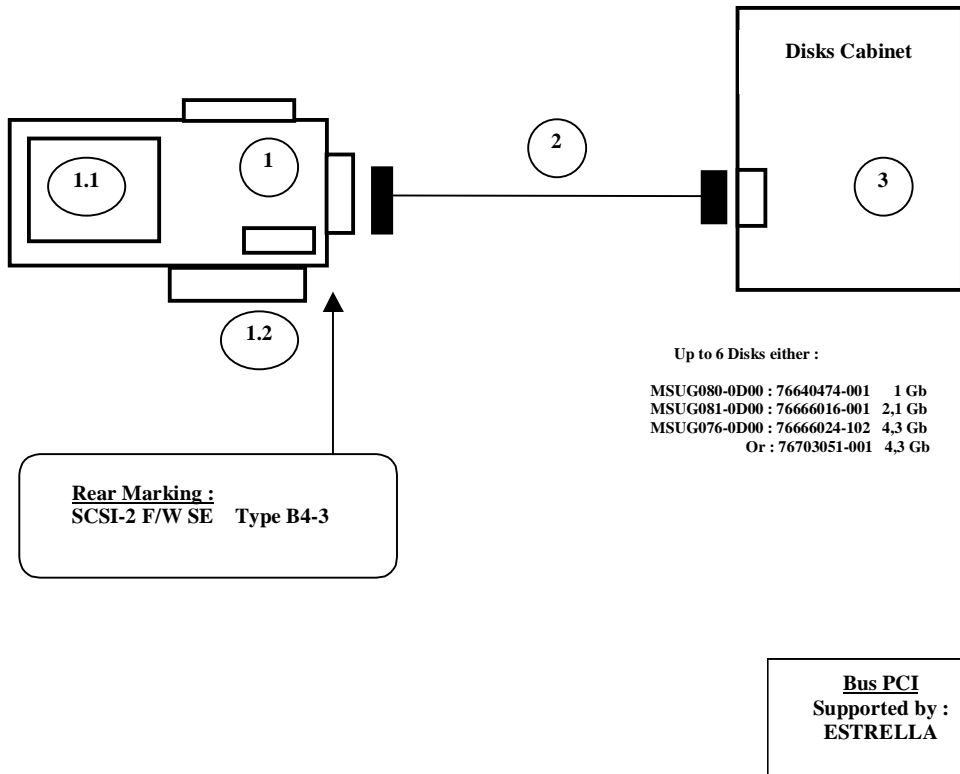
2.6 Disk Array Connections

2.6.1 DAS150 - Basic Configuration



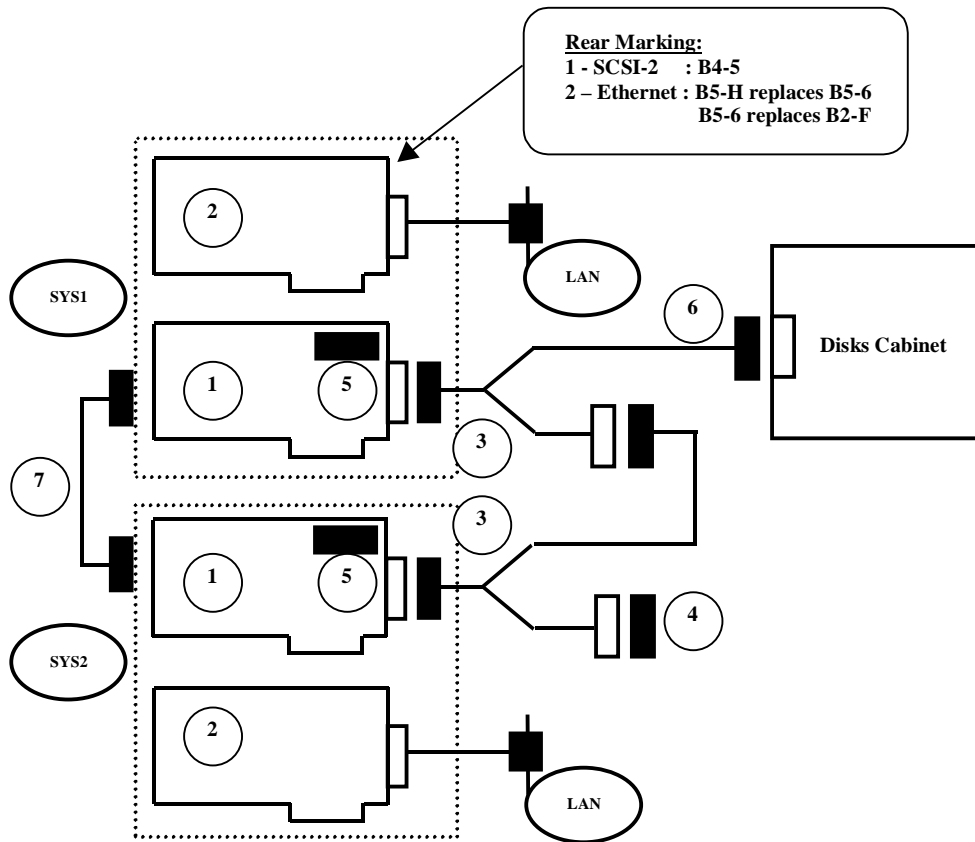
SCSI Adapter			Ctrl to DAS	Terminators
1			2	3
Type	FC	Pts	Specify - FC	Box
SCSI-2 F/W			n/a	
MSCG015-0000	n/a		CBLG137-1800	DGC111-003454-01
01-W2766D02A			DGC005-041275 (6m) or 90859002-001 (6m)	

2.6.2 nStor -RAID Basic Configuration



SCSI Adapter	Ctrl to Cab	Cabinet
1	2	3
Type FC	Specify - FC	Specify - FC
(1) SCSI-2 F/W SE n/a MSCG027-0000 76729586-104 (1.1) RAID and CATCHING Module 76729587-101 (1.2) Int. SIMM 90047001-001 MSCG026-0000 included (1.1) and (1.2)	n/a CBLG157-1300 90676002-002 (2,0m)	CABG021-000x 76729687-003
NOTE : MSCG026 ,MSCG027 ,CBLG157 ,CABG021 are included in DASG027-000x		

2.6.3 Native HA Low Cost Configuration

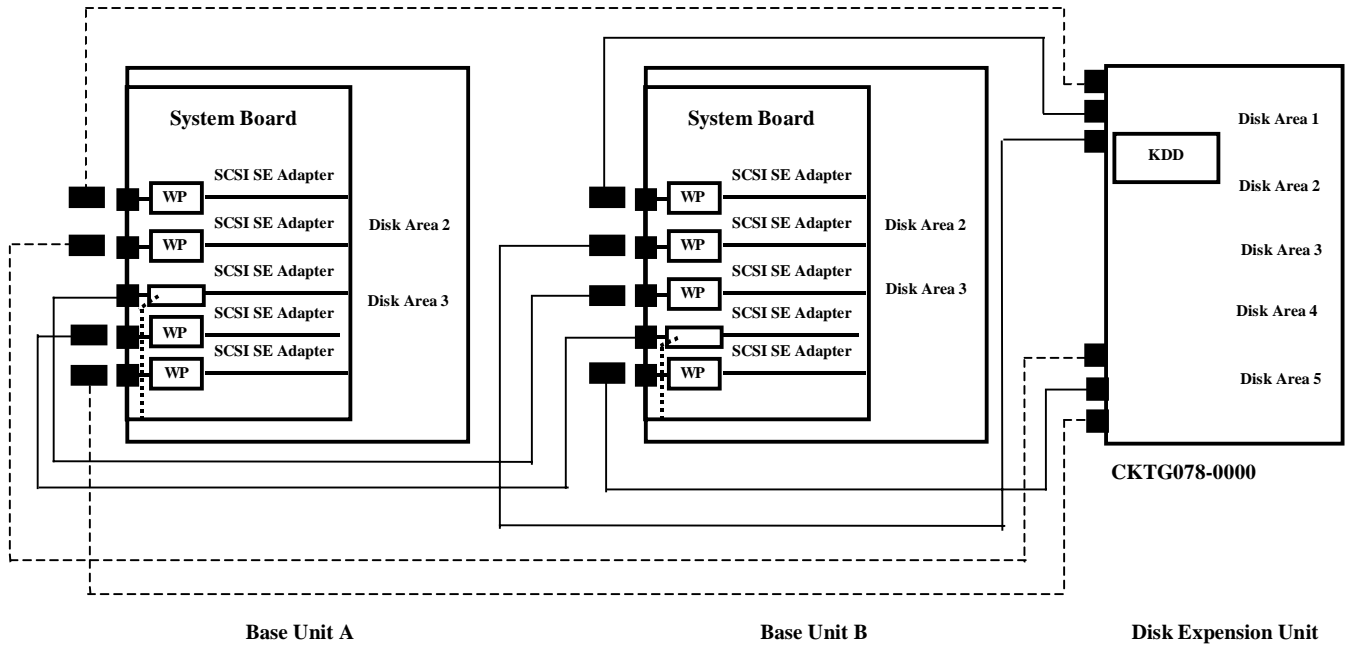


Bus PCI Supported by :
ESTRELLA

Item	Designation	FRU	Length
1	MSCG022-0000 : Ultra SCSI SE AdapterSYM8751SP	76729733-001	n/a
2	Ethernet Adapter	76729750-001	n/a
3	Y Cable	90962001-002	0,2/0,6m
4	Terminator	90054002-001	n/a
5	Wrap Plug	90982001-001	n/a
7	RS232 Cable F/F	90233001-001	3,5m

NOTE : Adapters have to set in Fast Mode.

2.6.4 HA Configuration (Inter-Cabinets Connections)



CKTG096-0000 Connection Kit including:

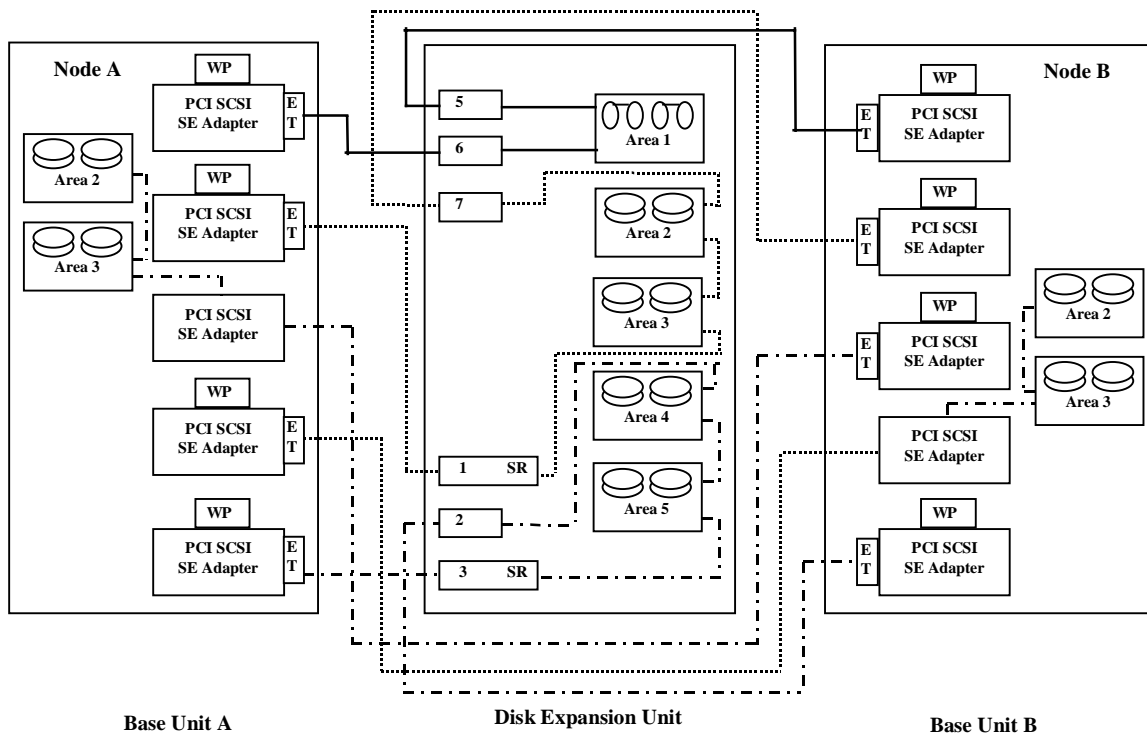
- 1 0,9m cable with pass_thru terminator (P/N 91076001001)
- 2 Wrap-Plugs (P/N 90982001001)

CKTG102-0000 = CKTG096-0000 with a cable length of 2m instead of 0,9m

CKTG078-0000 Connection Kit including:

- 1 SCSI Repeater board
- 1 Power cable (link between the KDD board to the SCSI repeater board)
- 1 Cable (link the SCSI Repeater board to the Bulkhead)

2.6.5 HA Configuration (Adapters/Devices Connections)



Notes:

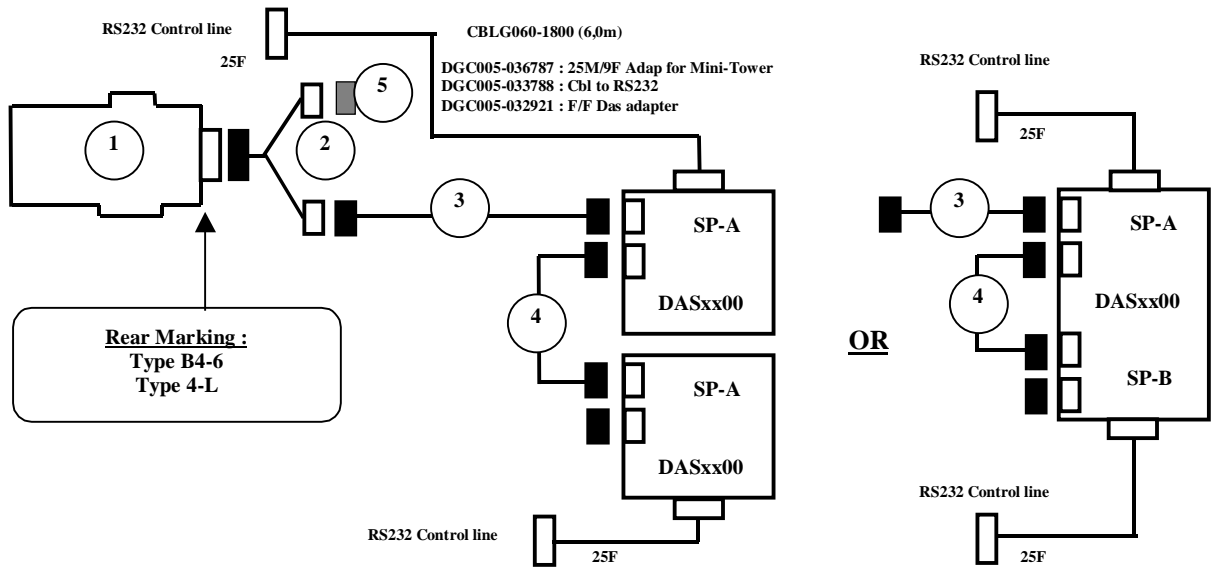
Hardware required to share disks :

- Eight **MSCG022-0000** SCSI-SE (B4-5) Adapters (4 per node)
- Two SCSI Repeaters CKTG078-0000 inside the cabinet
- Four CKTG096 SCSI connection kits including:
 - . 0,9m cable and pass thru terminator P/N 91076001-001
 - . two wrap-plugs P/N 909820001-001 for adapters
- Four CKTG102 SCSI connection kits including:
 - . 2m cable and pass thru terminator
 - . two wrap-plugs P/N 909820001-001 for adapters
- Two CBLG178-1000 internal SCSI cables (one per node)
- Four CKTG071 SCSI-SE terminators for disk cages

Hardware required to share media :

- Two MSCG022-0000 SCSI-SE (B4-5) Adapters (1 per node)
- One CKTG096 SCSI connection kit including:
 - . 0,9m cable and pass thru terminator P/N 91076001-001
- One CKTG102 SCSI connection kit including:
 - . 2m cable and pass thru terminator

2.6.6 DAS1300/2900/3200 - Basic



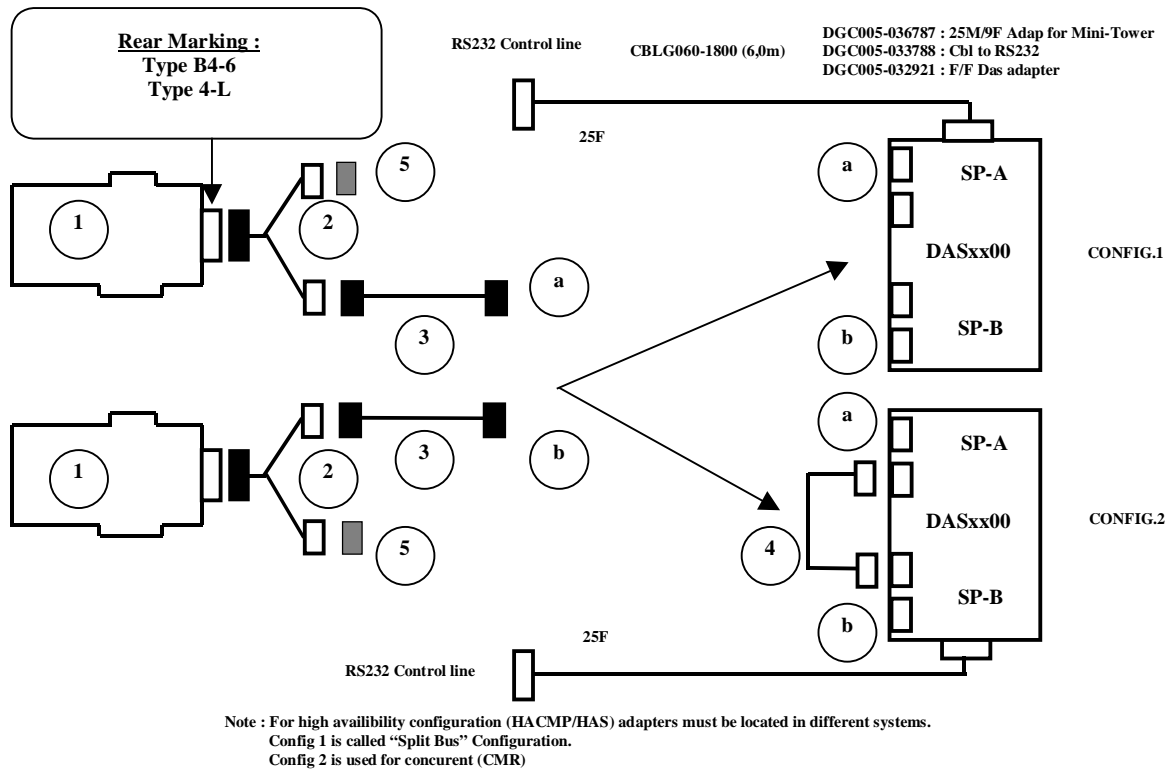
Bus PCI Supported by :
 ESCALA E E230 ,EPC400 ,EPC430
 S , T & T430 Series

SCSI Adapter			Y Cable	Y Cable to DAS	DAS to DAS	Y Terminator
1	2	3	4	5		
Type	FC	Pts	Specify - FC	Specify - FC	Specify - FC	
Ultra SCSI MSCG023-0000 76729734-x01	n/a	68	n/a CKTG070-0000 90920001-001 (0,8m)	n/a CBLG137-1800 DGC005-041275 (6,0m)	n/a CBLG097-1000 DGC005-040705 (0,5m)	90054001-001

Bus PCI Supported by :
 ESCALA EPC1200/A
 EPC2400 & RL470/A

SCSI Adapter			Y Cable	Y Cable to DAS	DAS to DAS	Y Terminator
1	2	3	4	5		
Type	FC	Pts	Specify - FC	Specify - FC	Specify - FC	
Ultra SCSI MSCG030-0000 40H6595	6207	68	n/a CKTG070-0000 90920001-001 (0,8m)	n/a CBLG137-1800 DGC005-041275 (6,0m)	n/a CBLG097-1000 DGC005-040705 (0,5m)	90054001-001

2.6.7 DAS1300/2900/3200 - Extended Conf. 1 & 2



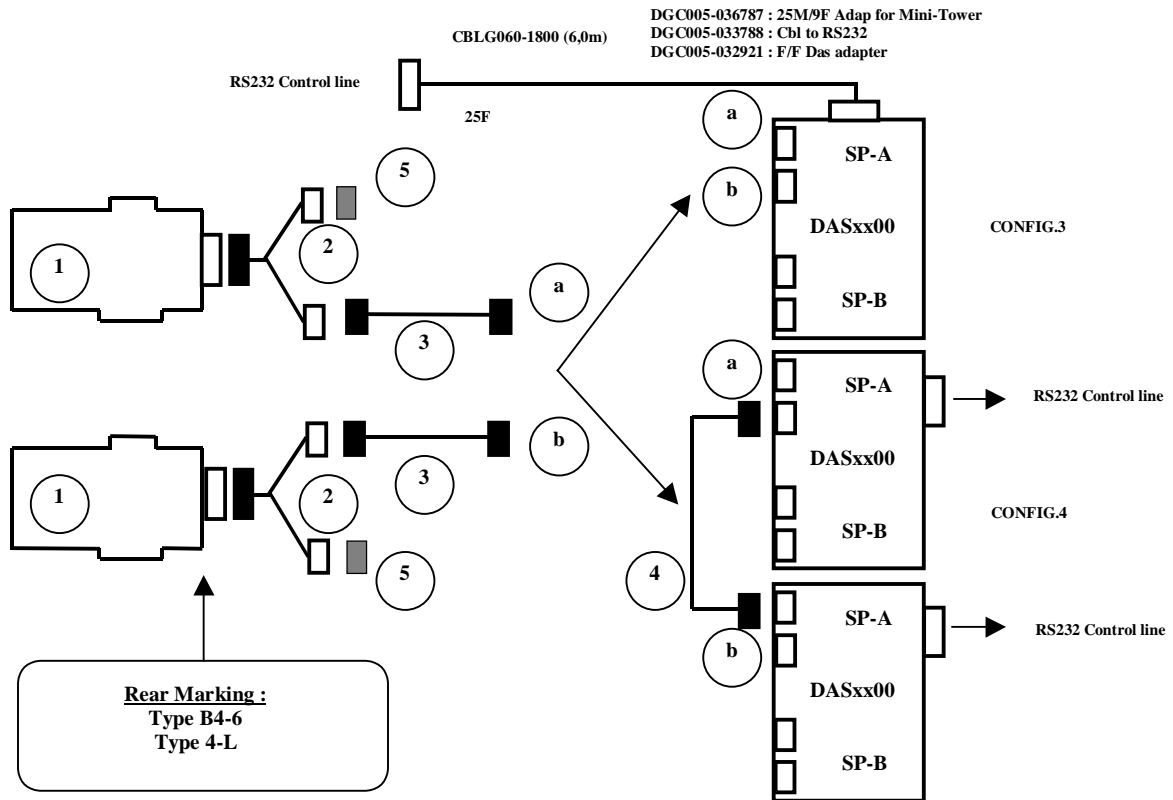
Bus PCI Supported by :
ESCALA E E230 ,EPC400 ,EPC430
S , T & T430 Series

SCSI Adapter			Y Cable	Y Cable to DAS	DAS to DAS	Y Terminator
1			2	3	4	5
Type	FC	Pts	Specify - FC	Specify - FC	Specify - FC	
Ultra SCSI MSCG023-0000 76729734-x01	n/a	68	n/a CKTG070-0000 90920001-001 (0,8m)	n/a CBLG137-1800 DGC005-041275 (6,0m)	n/a CBLG097-1000 DGC005-040705 (0,5m)	90054001-001

Bus PCI Supported by :
ESCALA EPC1200/A
EPC2400 & RL470/A

SCSI Adapter			Y Cable	Y Cable to DAS	DAS to DAS	Y Terminator
1			2	3	4	5
Type	FC	Pts	Specify - FC	Specify - FC	Specify - FC	
Ultra SCSI MSCG030-0000 40H6595	6207	68	n/a CKTG070-0000 90920001-001 (0,8m)	n/a CBLG137-1800 DGC005-041275 (6,0m)	n/a CBLG097-1000 DGC005-040705 (0,5m)	90054001-001

2.6.8 DAS1300/2900/3200 - Extended Conf. 3 & 4



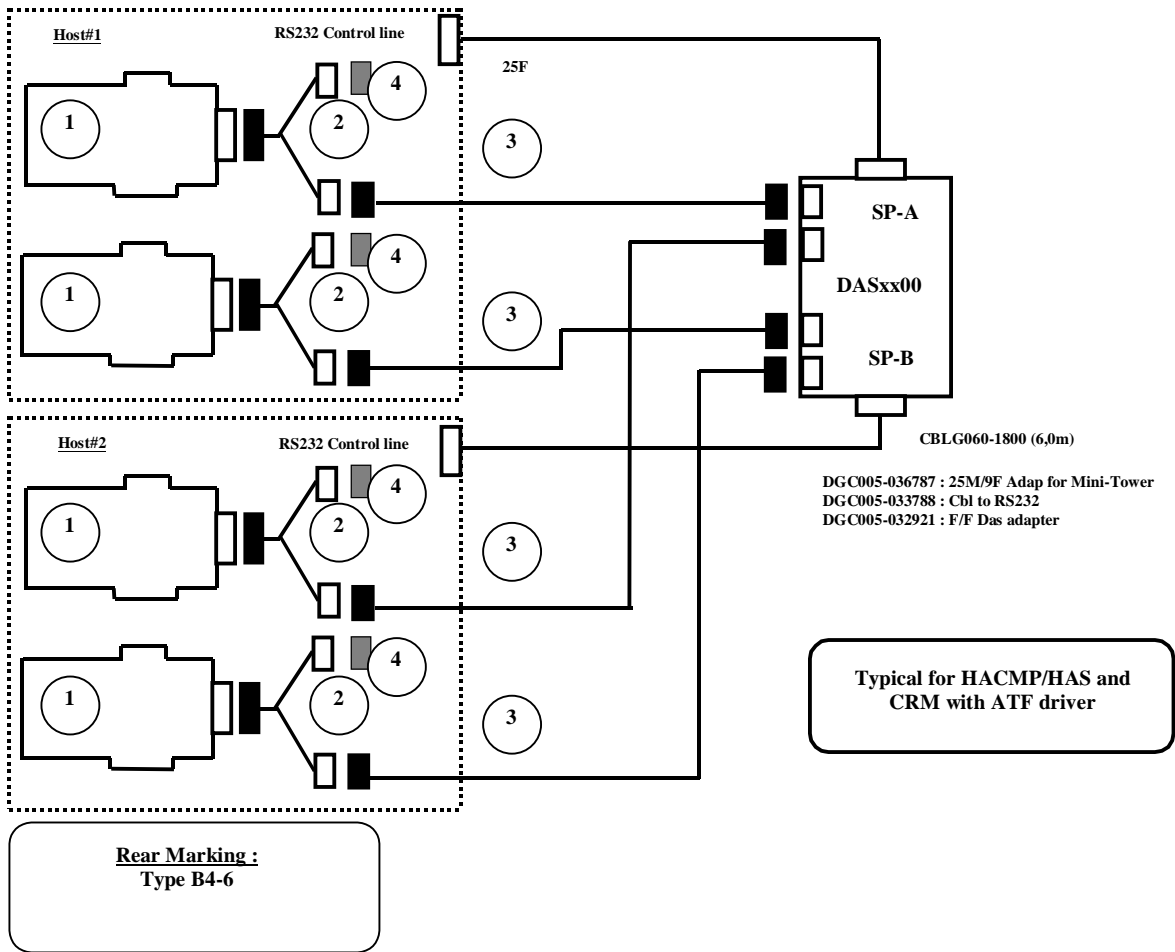
Bus PCI Supported by :
 ESCALA E E230 ,EPC400 ,EPC430
 S , T & T430 Series

SCSI Adapter	Y Cable		Y Cable to DAS	DAS to DAS	Y Terminator	
1	2	3	4	5		
Type	FC	Pts	Specify - FC	Specify - FC	Specify - FC	
Ultra SCSI MSCG023-0000 76729734-x01	n/a	68	n/a CKTG070-0000 90920001-001 (0,8m)	n/a CBLG137-1800 DGC005-041275 (6,0m)	n/a CBLG099-1000 DGC005-040004 (6,0m)	90054001-001

Bus PCI Supported by :
 ESCALA EPC1200/A
 EPC2400 & RL470/A

SCSI Adapter	Y Cable		Y Cable to DAS	DAS to DAS	Y Terminator	
1	2	3	4	5		
Type	FC	Pts	Specify - FC	Specify - FC	Specify - FC	
Ultra SCSI MSCG030-0000 40H6595	6207	68	n/a CKTG070-0000 90920001-001 (0,8m)	n/a CBLG137-1800 DGC005-041275 (6,0m)	n/a CBLG099-1000 DGC005-040004 (6,0m)	90054001-001

2.6.9 DAS1300/2900/3200 - Dual Initiator/Dual Adapter Conf



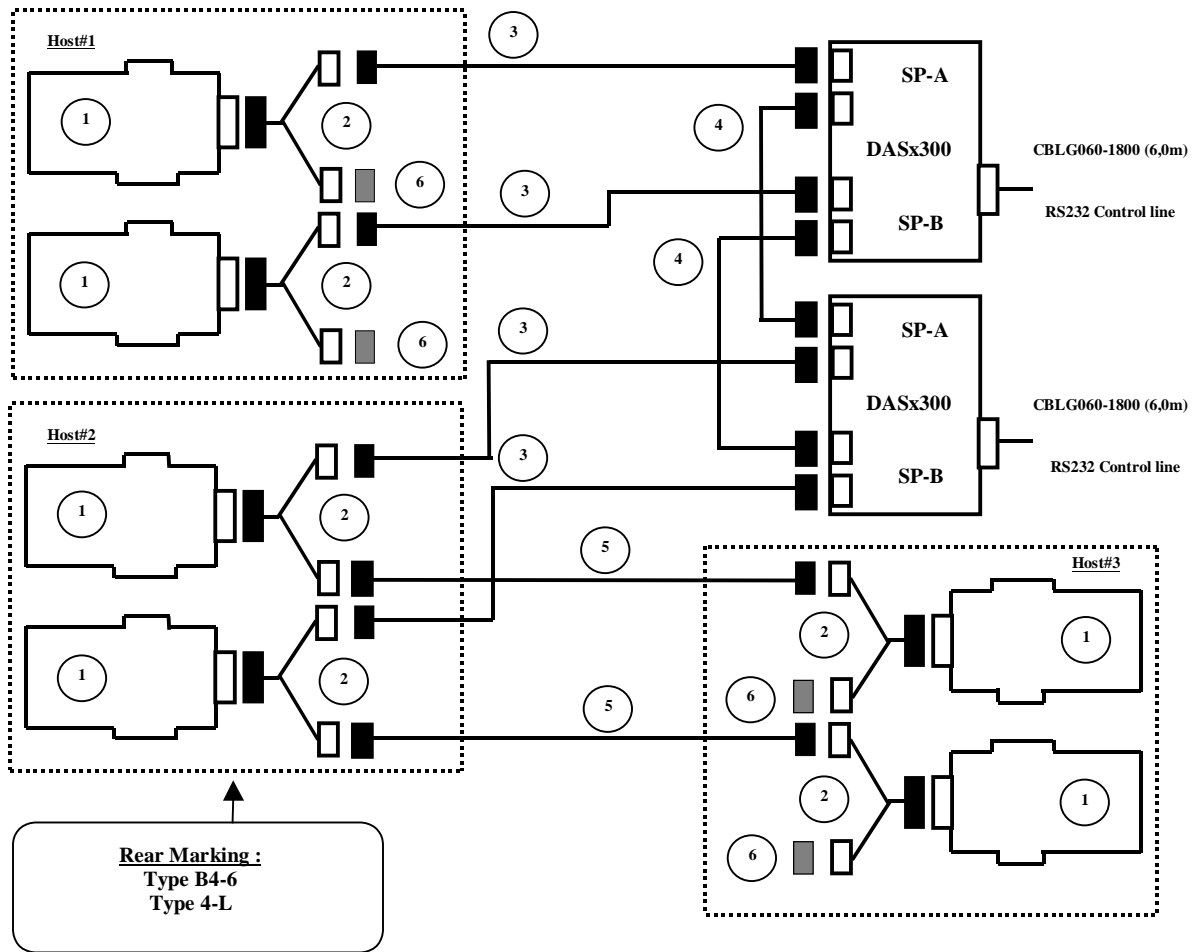
Bus PCI Supported by :
ESCALA E E230 ,EPC400 ,EPC430
S , T & T430 Series

SCSI Adapter			Y Cable	Y Cable to DAS	Y Terminator
1			2	3	4
Type	FC	Pts	Specify - FC	Specify - FC	
Ultra SCSI	n/a	68	n/a	n/a	
MSCG023-0000			CKTG070-0000	CBLG137-1800	90054001-001
76729734-x01			90920001-001 (0,8m)	DGC005-041275 (6,0m)	

Bus PCI Supported by :
ESCALA E E230 ,EPC400 ,EPC430
S , T & T430 Series

SCSI Adapter			Y Cable	Y Cable to DAS	Y Terminator
1			2	3	4
Type	FC	Pts	Specify - FC	Specify - FC	
Ultra SCSI	6207	68	n/a	n/a	
MSCG023-0000			CKTG070-0000	CBLG137-1800	90054001-001
40H6595			90920001-001 (0,8m)	DGC005-041275 (6,0m)	

2.6.10 DAS1300/2900/3200 - Multi Node High Availability Conf



Bus PCI Supported by :
 ESCALA E E230 ,EPC400 ,EPC430
 S , T & T430 Series

SCSI Adapter			Y Cable	Y Cable to DAS	DAS to DAS	SYS to SYS	Y Terminator
1			2	3	4	5	6
Type	FC	Pts	Specify - FC	Specify - FC	Specify - FC	Specify - FC	
Ultra SCSI	n/a	68	n/a	n/a	n/a	2423	
MSCG023-0000			CKTG070-0000	CBLG137-1800	CBLG099-1000	CBLG112-1400	90054001-001
76729734-x01			90920001-001 (0,8m)	DGC005-041275 (6,0m)	DGC005-040004 (6,0m)	52G4233 (2,5m)	

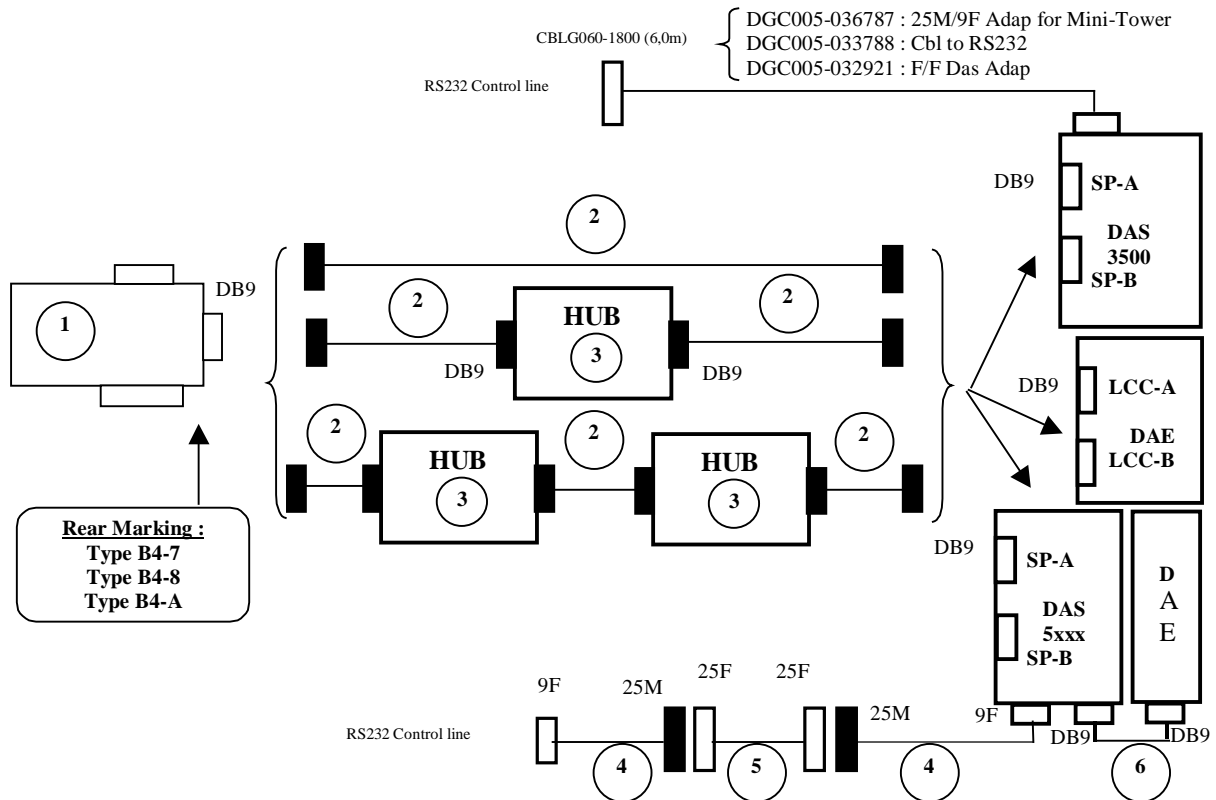
Bus PCI Supported by :
 ESCALA EPC1200/A
 EPC2400 & RL470/A

SCSI Adapter			Y Cable	Y Cable to DAS	DAS to DAS	SYS to SYS	Y Terminator
1			2	3	4	5	6
Type	FC	Pts	Specify - FC	Specify - FC	Specify - FC	Specify - FC	
Ultra SCSI	6207	68	n/a	n/a	n/a	2423	
MSCG030-0000			CKTG070-0000	CBLG137-1800	CBLG099-1000	CBLG112-1400	90054001-001
40H6595			90920001-001 (0,8m)	DGC005-041275 (6,0m)	DGC005-040004 (6,0m)	52G4233 (2,5m)	

Chapter 3. Fiber Channel PCI Adapters Links

3.1 Standard Fiber Channel Links

3.1.1 Copper Fiber Channel Links

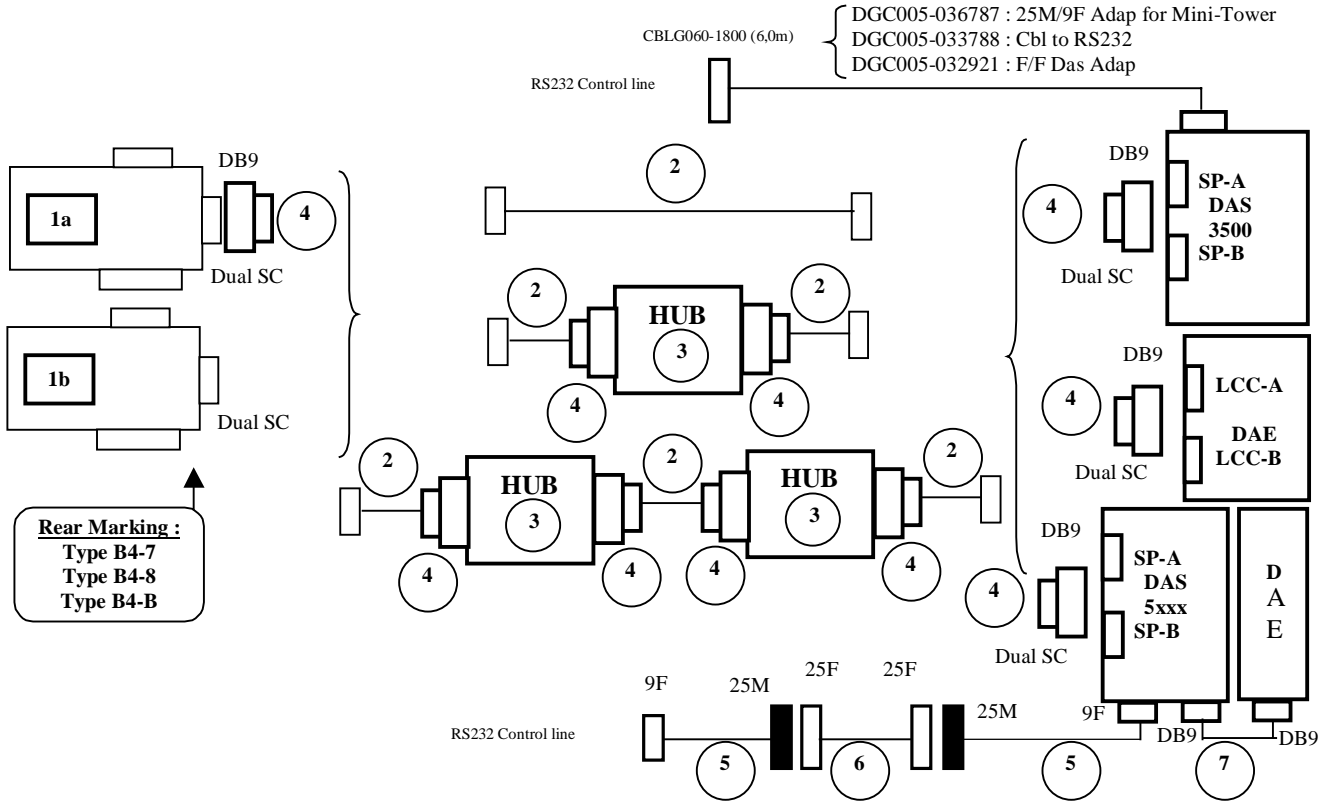


Bus PCI supported by :
 ESCALA E ,EPC400 & T Series (DCCG116-0000)
 ESCALA RL470 (DCCG134-A000)
 ESCALA E, E230, EPC400 ,430 ,1200/A ,RL470 ,T & T430 Series (DCCG141-0000)
 ESCALA E, EPC400 ,430 ,440 ,1200/A ,2400,S & T Series (DCCG147-0000)

Item	M.I./Rear Marking	FC	Designation	Length	FRU
1	DCCG116-0000 B4-7	n/a	Fiber Channel Adapter	n/a	76730052-001
	DCCG134-A000 B4-7	n/a	FC Adapter	n/a	76730052-001
	DCCG141-0000 B4-8	n/a	Enhanced FC Adapter	n/a	76730259-001
	DCCG147-0000 B4-A	n/a	PCI 64 bits Copper FC Adapter	n/a	76730375-001
2	FCCQ002-1500	n/a	3m Copper Cable	3,0m	90060002-001
	FCCQ002-2000	n/a	10m Copper cable	10,0m	90060010-001
	FCCQ002-3500	n/a	30m Copper Cable	30,0m	90060030-001
3	LNCQ001-000x	n/a	FC AL HUB 1Gb 9 Ports	n/a	FCL0163TW
4	CBL1912	n/a	Adapter Cbl Local Async.RS232	0,5m	76958073-002
5	CBLG105-1800	n/a	Cbl Local Async RS232 25DF/F	7,5m	90233002-001
6	FCCQ002-1500	n/a	FCS Copper Cable	3m	90060002-001
	FCCQ002-2000	n/a	FCS Copper Cable	10m	90060010-001
	DG/CLARION Cable	n/a	FCS Copper Cable	0,3m	118025169

3.1.2 Optical Fiber Channel Links

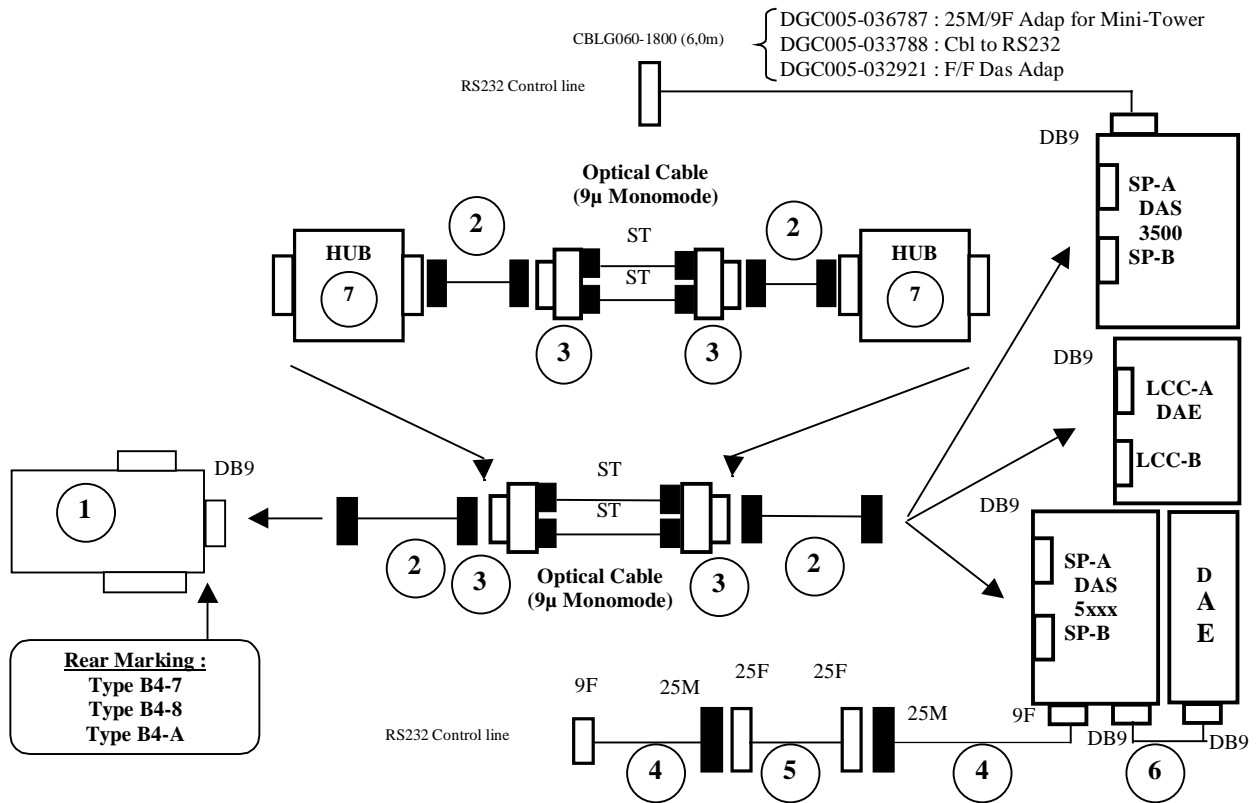
3.1.2.1 Multimode Links



Bus PCI supported by :
ESCALA E ,EPC400 & T Series (DCCG116-0000)
ESCALA RL470 (DCCG134-A000)
ESCALA E, E230, EPC400 ,430 ,1200/A ,RL470 ,T & T430 Series (DCCG141-0000)
ESCALA E, EPC400 ,430 ,440 ,1200/A ,2400,S & T Series (DCCG148-0000)

Item	M.I./Rear Marking	FC	Designation	Length	FRU
1a	DCCG116-0000 B4-7	n/a	Fiber Channel Adapter	n/a	76730052-001
	DCCG134-A000 B4-7	n/a	FC Adapter	n/a	76730052-001
	DCCG141-0000 B4-8	n/a	Enhanced FC Adapter	n/a	76730259-001
	DCCG148-0000 B4-B	n/a	PCI 64 bits Optical Adapter	n/a	76730376-001
2	FCCQ001-1800	n/a	50µ Optical Cable 5m	5,0m	90061005-001
	FCCQ001-2100	n/a	50µ Optical Cable 15m	15,0m	90061015-001
3	LNCQ001-0000	n/a	FC AL HUB 1Gb 9 Ports	n/a	FCL0163TW
	DCCQ001-0000	n/a	50µ MIA Fiber/Copper (for DAS3500)	n/a	FCN1039 (Gore)
4	DCOF001-0000	n/a	50µ MIA Fiber/Copper (for Fibre DAS)	n/a	MDB-9-6-1 (Method)
	CBL1912	n/a	Adapter Cbl Local Async.RS232	0,5m	76958073-002
6	CBLG105-1800	n/a	Cbl Local Async RS232 25DF/F	7,5m	90233002-001
	FCCQ002-1500	n/a	FCS Copper Cable	3m	90060002-001
7	FCCQ002-2000	n/a	FCS Copper Cable	10m	90060010-001
	DG/CLARION Cable	n/a	FCS Copper Cable	0,3m	118025169

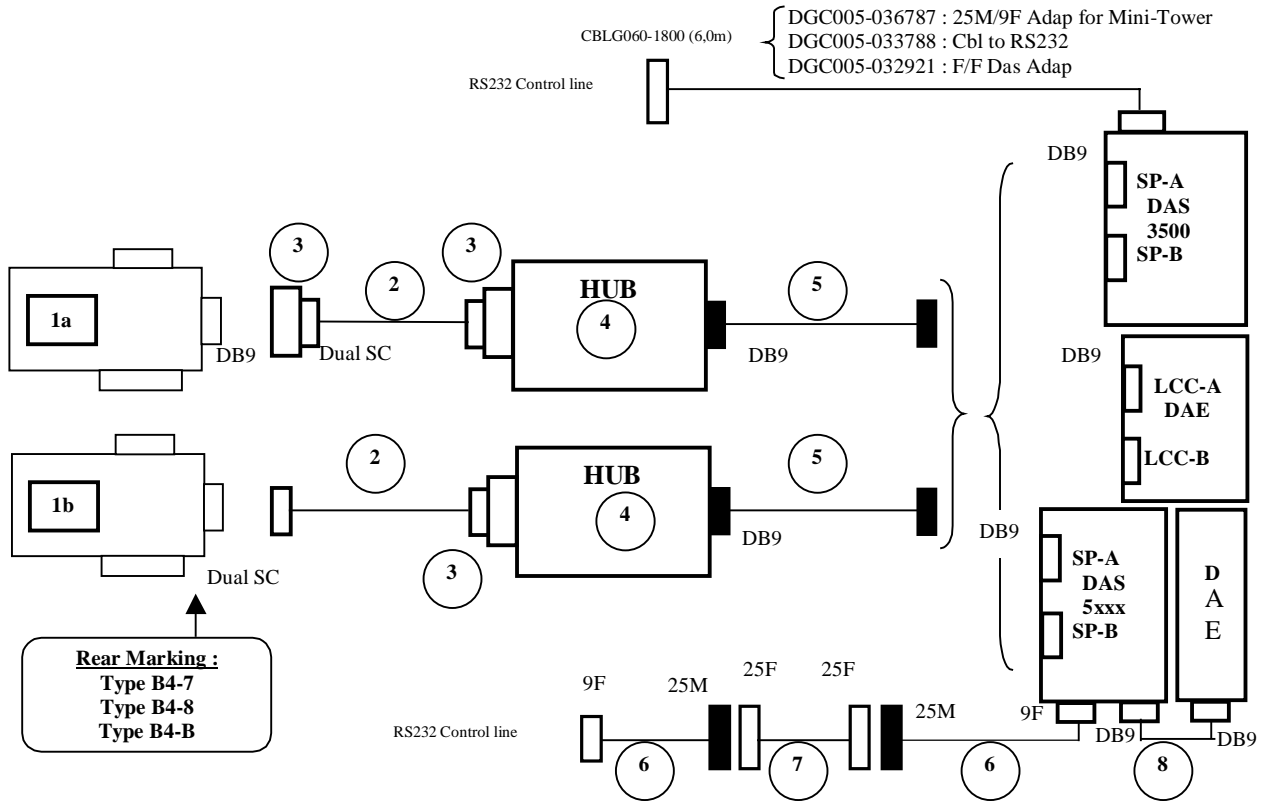
3.1.2.2 Monomode Links



Bus PCI supported by :
 ESCALA E ,EPC400 & T Series (DCCG116-0000)
 ESCALA E, E230, EPC400 ,430 ,1200/A ,RL470 ,T & T430 Series (DCCG141-0000)
 ESCALA E, EPC400 ,430 ,440 ,1200/A ,2400,S & T Series (DCCG147-0000)

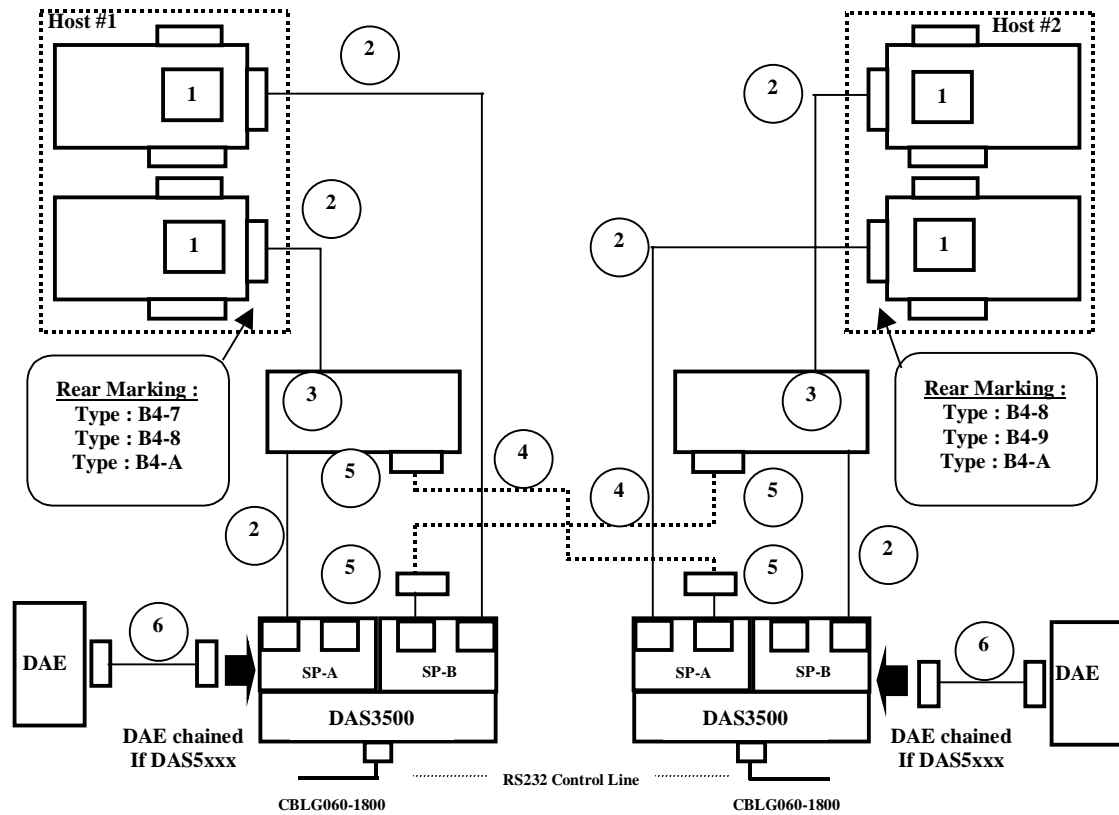
Item	M.I./Rear Marking	FC	Designation	Length	FRU
1	DCCG116-0000 B4-7	n/a	Fiber Channel Adapter	n/a	76730052-001
	DCCG134-A000 B4-7	n/a	FC Adapter	n/a	76730052-001
	DCCG141-0000 B4-8	n/a	Enhanced FC Adapter	n/a	76730259-001
	DCCG147-0000 B4-A	n/a	PCI 64 bits Copper FC Adapter	n/a	76730375-001
2	FCCQ002-1500	n/a	3m Copper Cable	3,0m	90060002-001
	FCCQ002-2000		10m Copper cable	10,0m	90060010-001
	FCCQ002-3500		30m Copper Cable	30,0m	90060030-001
3	DCIQ001-000F	n/a	FC Link Extender M5/SM	n/a	FLX2000
4	CBL1912	n/a	Adapter Cbl Local Async.RS232	0,5m	76958073-002
5	CBLG105-1800	n/a	Cbl Local Async RS232 25DF/F	7,5m	90233002-001
6	FCCQ002-1500	n/a	FCS Copper Cable	3m	90060002-001
	FCCQ002-2000		FCS Copper Cable	10m	90060010-001
	DG/CLARION Cable		FCS Copper Cable	0,3m	118025169
7	LNCQ001-0000	n/a	FC AL HUB 1Gb 9 ports	n/a	FCL0163TW

3.1.3 Mixing Copper and Optical Fiber Channel Links



Item	M.I./Rear Marking	FC	Designation	Length	FRU
1a	DCCG116-0000 B4-7	n/a	Fiber Channel Adapter	n/a	76730052-001
	DCCG134-A000 B4-7	n/a	FC Adapter	n/a	76730052-001
	DCCG141-0000 B4-8	n/a	Enhanced FC Adapter	n/a	76730259-001
1b	DCCG148-0000 B4-B	n/a	PCI 64 bits Optical Adapter	n/a	76730376-001
	FCCQ001-1800	n/a	50µ Optical Cable 5m	5,0m	90061005-001
	FCCQ001-2100	n/a	50µ Optical Cable 15m	15,0m	90061015-001
3	DCOQ001-0000	n/a	50µ MIA Fiber/Copper (for DAS3500)	n/a	FCN1039 (Gore)
	DCOF001-0000	n/a	50µ MIA Fiber/Copper (for Fibre DAS)	n/a	MDB-9-6-1 (Method)
4	LNCQ001-000x	n/a	FC AL HUB 1Gb 9 Ports	n/a	FCL0163TW
5	FCCQ002-1500	n/a	3m Copper Cable	3,0m	91060002-001
	FCCQ002-2000	n/a	10m Copper Cable	10,0m	90060010-001
	FCCQ002-3500	n/a	30m Copper Cable	30,0m	90060030-001
6	CBL1912	n/a	Adapter Cbl Local Async.RS232	0,5m	76958073-002
7	CBLG105-1800	n/a	Cbl Local Async.RS232 25DF/F	7,5m	90233002-001
8	FCCQ002-1500	n/a	FCS Copper Cable	3,0m	91060002-001
	FCCQ002-2000	n/a	FCS Copper Cable	10,0m	90060010-001
	DG/CLARION Cable	n/a	FCS Copper Cable	0,3m	118025169

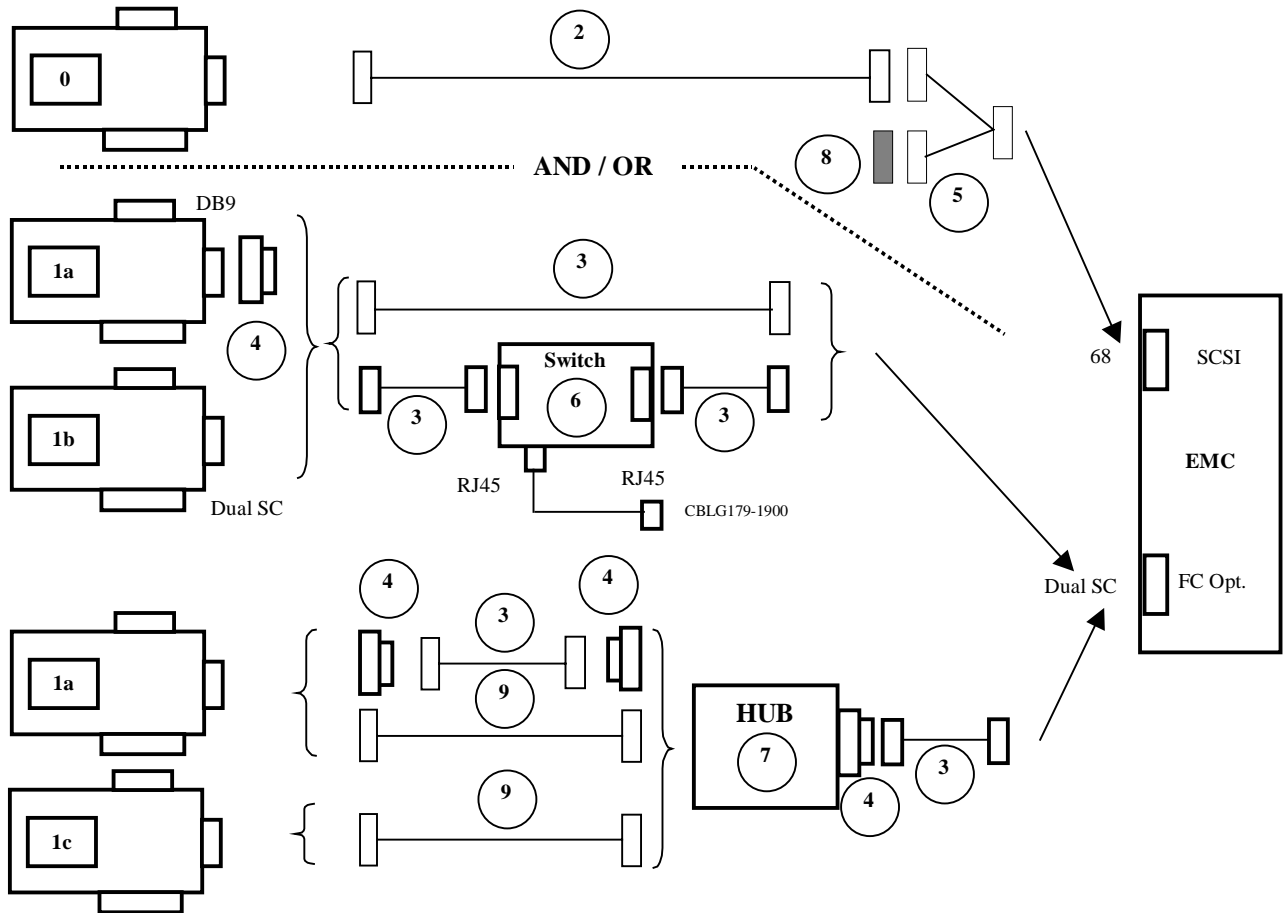
3.2 HA Fiber Channel Links



Bus PCI supported by :
 ESCALA E ,EPC400 & T Series (DCCG116-0000)
 ESCALA RL470 (DCCG134-A000)
 ESCALA E, E230, EPC400 ,430 ,1200/A ,RL470 ,T & T430 Series (DCCG141-0000)
 ESCALA E, EPC400 ,430 ,440 ,1200/A ,2400,S & T Series (DCCG147-0000)

Item	M.I./Rear Marking	FC	Designation	Length	FRU
1	DCCG116-0000 B4-7	n/a	Fiber Channel Adapter	n/a	76730052-001
	DCCG134-A000 B4-7	n/a	FC Adapter	n/a	76730052-001
	DCCG141-0000 B4-8	n/a	Enhanced FC Adapter	n/a	76730259-001
	DCCG147-0000 B4-A	n/a	PCI 64 bits Copper FC Adapter	n/a	76730375-001
2	FCCQ002-1500	n/a	3m Copper Cable	3,0m	90060002-001
	FCCQ002-2000	n/a	10m Copper Cable	10,0m	90060010-001
	FCCQ002-3500	n/a	30m Copper Cable	30,0m	90060030-001
3	LNCQ001-000x	n/a	FC AL HUB 1Gb 9 Ports	n/a	FCL0163TW
4	FCCQ001-1800	n/a	50µ Optical Cable 5m	5,0m	90061005-001
	FCCQ001-2100	n/a	50µ Optical Cable 15m	15,0m	90061015-001
5	DCOQ001-0000	n/a	50µ MIA Fiber/Copper (for DAS3500)	n/a	FCN1039 (Gore)
	DCOF001-0000	n/a	50µ MIA Fiber/Copper (for Fibre DAS)	n/a	MDB-9-6-1 (Method)
6	FCCQ002-1500	n/a	FCS Copper Cable	3,0m	90060002-001
	FCCQ002-2000	n/a	FCS Copper Cable	10,0m	90060010-001
	DG/CLARION Cable	n/a	FCS Copper cable	0,3m	118025169

3.3 EMC Link

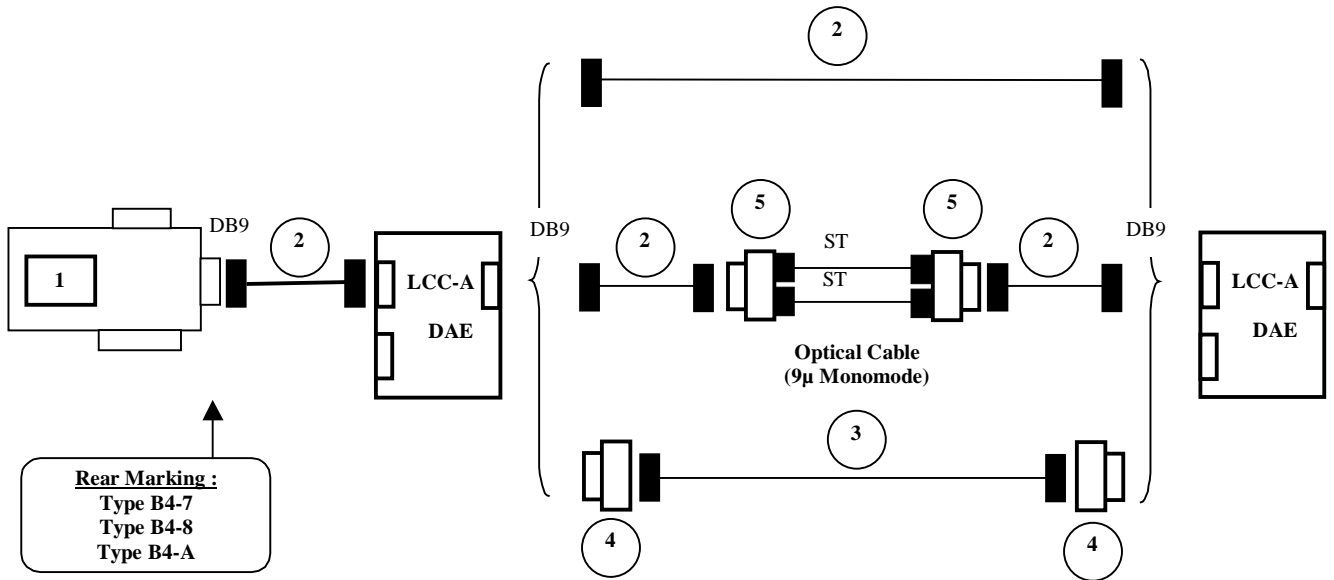


Bus PCI supported by :

ESCALA E, E230 ,EPC400 ,430 , S, T & T430 Series	(MSCG023-0000)
ESCALA EPC1200/A ,EPC2400 & RL470/A	(MSCG030-0000)
ESCALA RL470/A & EPC1200/A	(MSCG032-0000)
ESCALA E, E230, EPC400 ,430 ,1200/A ,RL470 ,T & T430 Series	(DCCG141-0000)
ESCALA E, EPC400 ,430 ,440 ,1200/A ,2400,S & T Series	(DCCG147-0000)
ESCALA E, EPC400 ,430 ,440 ,1200/A ,2400,S & T Series	(DCCG148-0000)

Item	M.I./Rear Marking	FC	Designation	Length	FRU
0	MSCG023-0000 B4-6	n/a	Ultra SCSI DE PCI Adapter	n/a	76729734-101
	MSCG030-0000 4-L	6207	Ultra SCSI DE PCI Adapter	n/a	40H6595
	MSCG032-0000 4-B	6209	SCSI-2 F/W DE PCI Adapter	n/a	93H8407
1a	DCCG141-0000 B4-8	n/a	Enhanced FC Adapter	n/a	76730259-001
1b	DCCG148-0000 B4-B	n/a	PCI 64bit Optical Adapter	n/a	76730376-001
1c	DCCG147-0000 B4-A	n/a	PCI 64 bit Copper Fibre Adapter	n/a	76730375-001
2	CBLG157-1900	n/a	12m SCSI-2 Cable	12m	90676007-002
	CBLG157-2100	n/a	20m SCSI-2 Cable	20m	90676005-002
3	FCCQ001-1800	n/a	50µ Optical Cable 5m	5,0m	90061005-001
	FCCQ001-2100	n/a	50µ Optical Cable 15m	15,0m	90061015-001
4	DCOQ001-0000	n/a	50µ MIA Fiber/Copper (for DAS3500)	n/a	FCN1039 (Gore)
	DCOF001-0000	n/a	50µ MIA Fiber/Copper (for Fibre DAS)	n/a	MDB-9-6-1 (Meth)
5	CKTG070-0000	n/a	PCI Y SCSI Cable 68MD/68MD	1m	90920001-001
6	MSKG008-0000	n/a	Silkworm 2800 Top Level Switch	n/a	
7	LNCQ001-000x	n/a	FC AL HUB 1Gb 9 Ports	n/a	FCL0163TW
8		n/a	Terminator for Y-cable CKTG070	n/a	90054001-001
9	FCCQ002-1500	n/a	3m Copper Cable	3,0m	90060002-001
	FCCQ002-2000		10m Copper Cable	10,0m	90060010-001
	FCCQ002-3500		30m Copper Cable	30,0m	90060030-001

3.4 DAE Daisy Chain

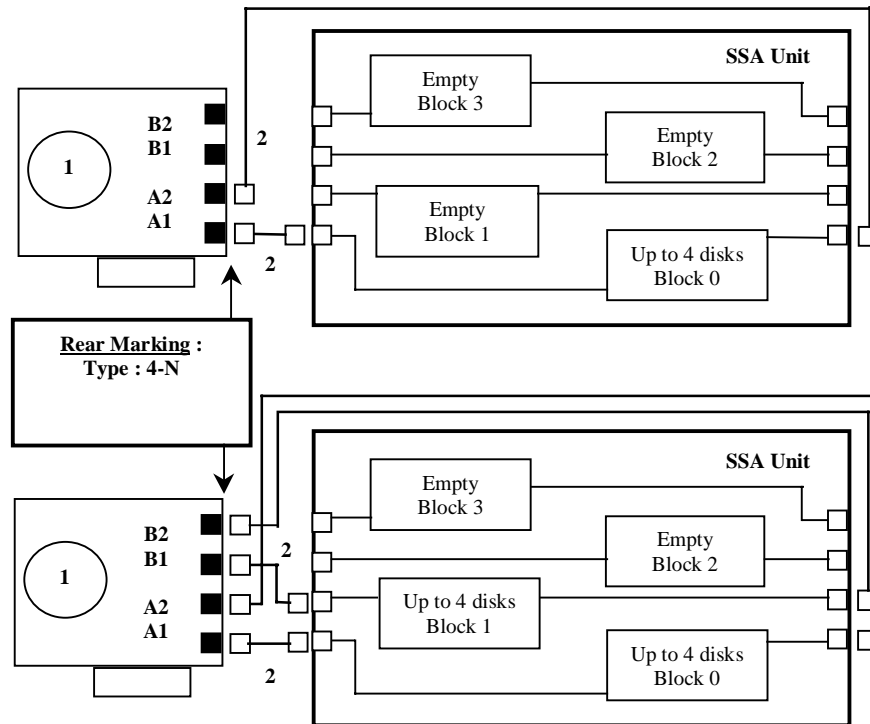


Bus PCI supported by :
 ESCALA E ,EPC400 & T Series (DCCG116-0000)
 ESCALA E, E230, EPC400 ,430 ,1200/A ,RL470 ,T & T430 Series (DCCG141-0000)
 ESCALA E, EPC400 ,430 ,440 ,1200/A ,2400,S & T Series (DCCG147-0000)

Item	M.I./Rear Marking	FC	Designation	Length	FRU
1	DCCG116-0000 B4-7	n/a	Fiber Channel Adapter	n/a	76730052-001
	DCCG141-0000 B4-8	n/a	Enhanced FC Adapter	n/a	76730259-001
	DCCG147-0000 B4-A	n/a	PCI 64 bits Copper FC Adapter	n/a	76730375-001
2	FCCQ002-1500	n/a	3m Copper Cable	3,0m	90060002-001
	FCCQ002-2000	n/a	10m Copper cable	10,0m	90060010-001
	FCCQ002-3500	n/a	30m Copper Cable	30,0m	90060030-001
3	FCCQ001-1800	n/a	50µ Optical Cable 5m	5,0m	90061005-001
	FCCQ001-2100	n/a	50µ Optical Cable 15m	15,0m	90061015-001
4	DCOQ001-0000	n/a	50µ MIA Fiber/Copper	n/a	FCN1039
5	DCIQ001-000F	n/a	FC Link Extender M5/SM	n/a	FLX2000

Chapter 4. Standard SSA Subsystem Connections

4.1 Single SSA Configurations (up to 8 Disk Drives)



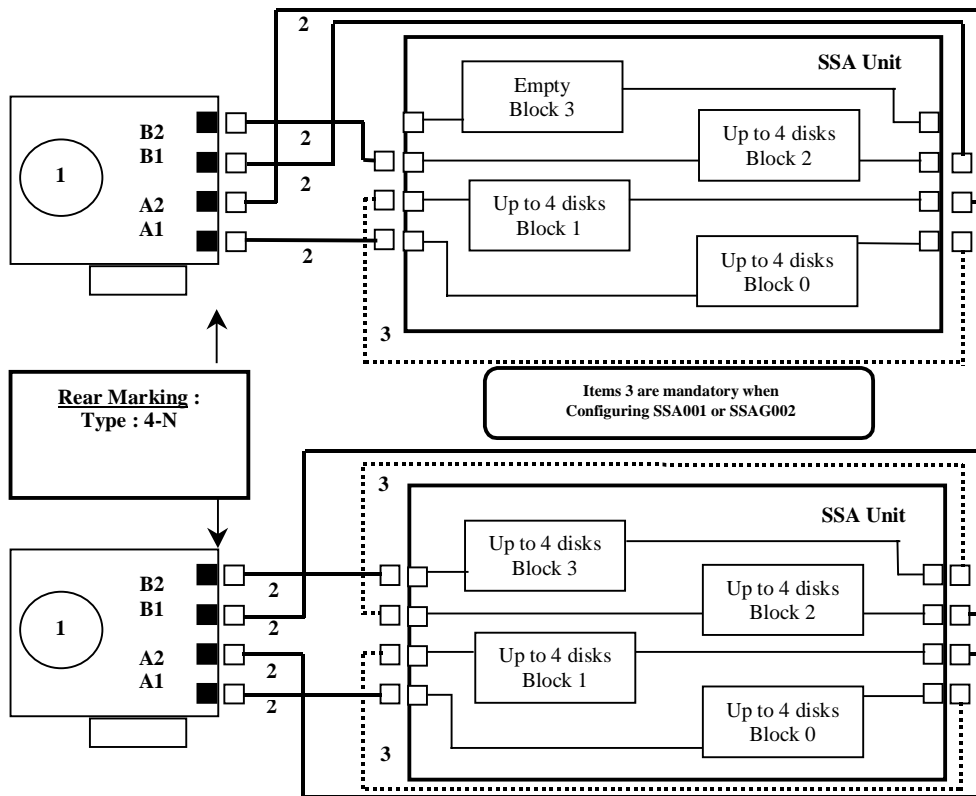
Bus PCI Supported by :
ESCALA E & T Series

Item	M.I.	FC	Designation	Length	FRU
1	MSCG024-0000	6218	SSA Serial Controller	n/a	76730087-001
2	CBLG162-1400	5025	2,5m Subsystem Cable	2,5m	32H1465
	CBLG162-1700	5050	5,0m Subsystem Cable	5,0m	88G6404
	CBLG162-1900	5100	10,0m Subsystem Cable	10,0m	32H1466
	CBLG162-2100	5250	25,0m Subsystem Cable	25,0m	88G6406

Bus PCI Supported by :
ESCALA RL470/A & EPC1200/A

Item	M.I.	FC	Designation	Length	FRU
1	MSCG036-0000	6215	SSA Serial Controller	n/a	96G9938
2	CBLG162-1400	5025	2,5m Subsystem Cable	2,5m	32H1465
	CBLG162-1700	5050	5,0m Subsystem Cable	5,0m	88G6404
	CBLG162-1900	5100	10,0m Subsystem Cable	10,0m	32H1466
	CBLG162-2100	5250	25,0m Subsystem Cable	25,0m	88G6406

4.2 Single SSA Configurations (from 9 to 16 Disk Drives)



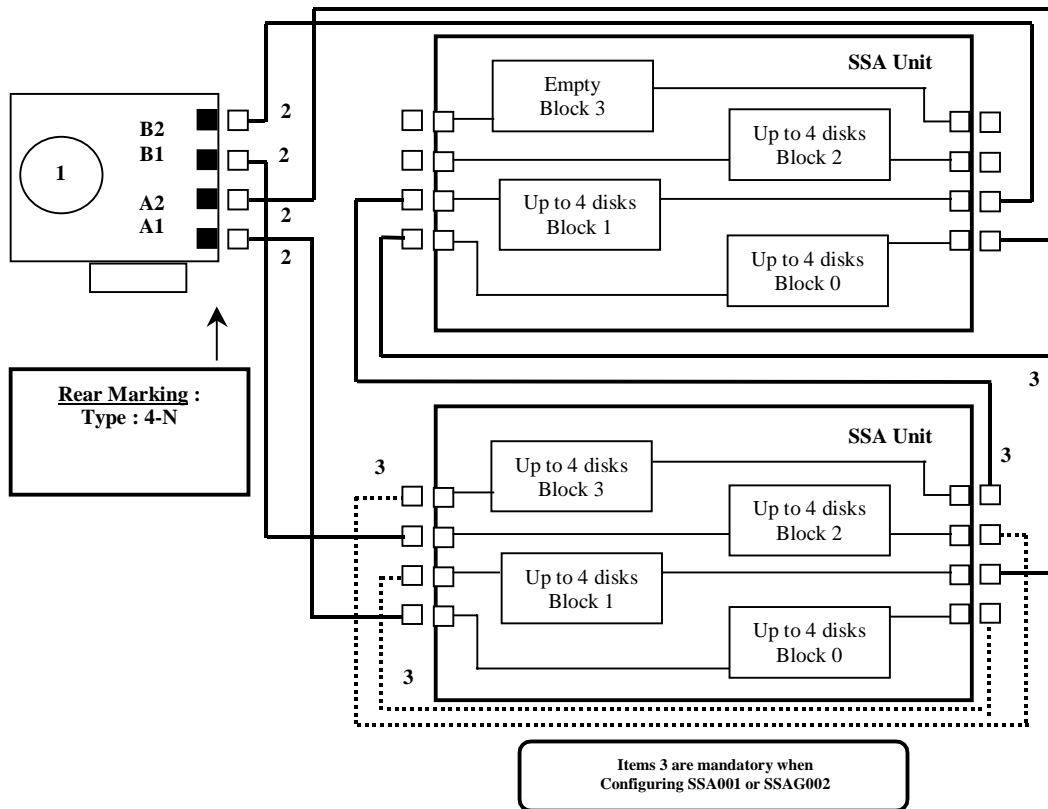
Bus PCI Supported by :
ESCALA E & T Series

Item	M.I.	FC	Designation	Length	FRU
1	MSCG024-0000	6218	SSA Serial Controller	n/a	76730087-001
2	CBLG162-1400	5025	2,5m Subsystem Cable	2,5m	32H1465
	CBLG162-1700	5050	5,0m Subsystem Cable	5,0m	88G6404
	CBLG162-1900	5100	10,0m Subsystem Cable	10,0m	32H1466
	CBLG162-2100	5250	25,0m Subsystem Cable	25,0m	88G6406
3	CBLG163-1100	5010	1m Loop to Loop Cable	1m	07H8985
	CBLG164-1000	5006	0,6m Loop to Loop Cable	0,6m	31H7960

Bus PCI Supported by :
**ESCALA RL470/A &
EPC1200/A**

Item	M.I.	FC	Designation	Length	FRU
1	MSCG036-0000	6215	SSA Serial Controller	n/a	96G9938
2	CBLG162-1400	5025	2,5m Subsystem Cable	2,5m	32H1465
	CBLG162-1700	5050	5,0m Subsystem Cable	5,0m	88G6404
	CBLG162-1900	5100	10,0m Subsystem Cable	10,0m	32H1466
	CBLG162-2100	5250	25,0m Subsystem Cable	25,0m	88G6406
3	CBLG163-1100	5010	1m Loop to Loop Cable	1m	07H8985
	CBLG164-1000	5006	0,6m Loop to Loop Cable	0,6m	31H7960

4.3 Single SSA Configurations (up to 24 Disk Drives)



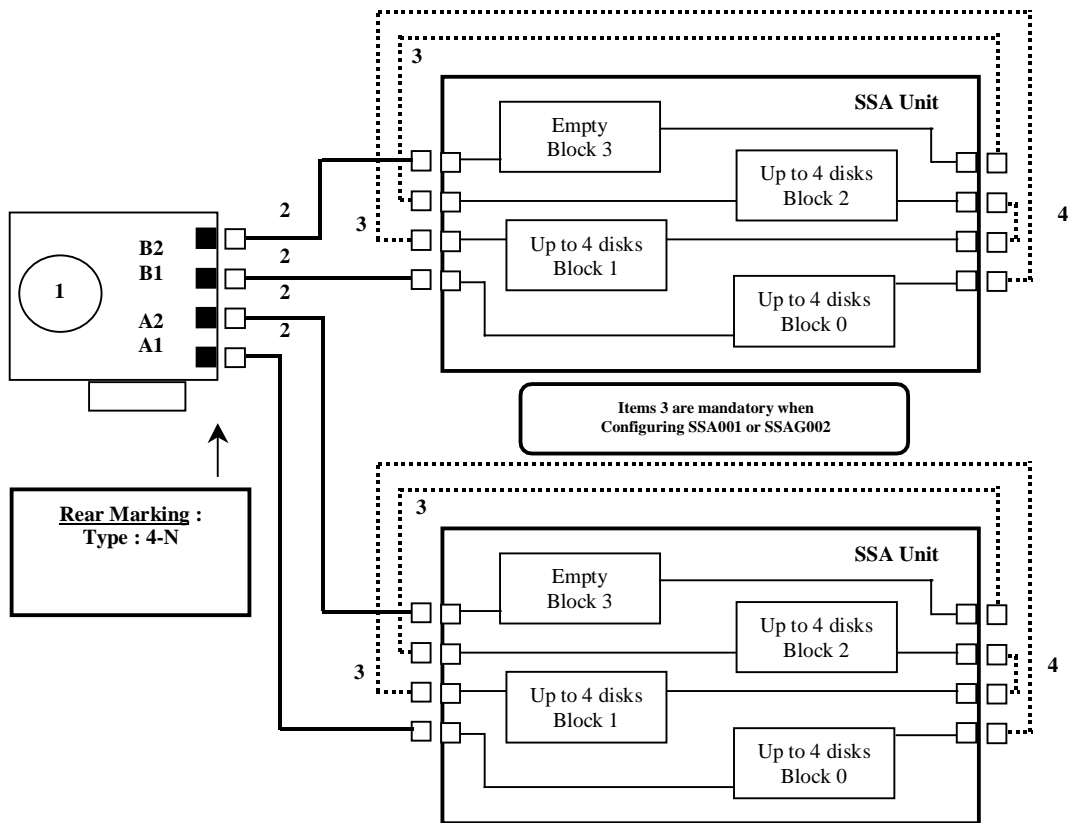
**Bus PCI Supported by :
ESCALA E & T Series**

Item	M.I.	FC	Designation	Length	FRU
1	MSCG024-0000	6218	SSA Serial Controller	n/a	76730087-001
2	CBLG162-1400	5025	2,5m Subsystem Cable	2,5m	32H1465
	CBLG162-1700	5050	5,0m Subsystem Cable	5,0m	88G6404
	CBLG162-1900	5100	10,0m Subsystem Cable	10,0m	32H1466
	CBLG162-2100	5250	25,0m Subsystem Cable	25,0m	88G6406
3	CBLG163-1100	5010	1m Loop to Loop Cable	1m	07H8985
	CBLG164-1000	5006	0,6m Loop to Loop Cable	0,6m	31H7960

**Bus PCI Supported by :
ESCALA RL470/A &
EPC1200/A**

Item	M.I.	FC	Designation	Length	FRU
1	MSCG036-0000	6215	SSA Serial Controller	n/a	96G9938
2	CBLG162-1400	5025	2,5m Subsystem Cable	2,5m	32H1465
	CBLG162-1700	5050	5,0m Subsystem Cable	5,0m	88G6404
	CBLG162-1900	5100	10,0m Subsystem Cable	10,0m	32H1466
	CBLG162-2100	5250	25,0m Subsystem Cable	25,0m	88G6406
3	CBLG163-1100	5010	1m Loop to Loop Cable	1m	07H8985
	CBLG164-1000	5006	0,6m Loop to Loop Cable	0,6m	31H7960

4.4 Multiple SSA Configurations (example for 32 Disk Drives)



Bus PCI Supported by :
ESCALA E & T Series

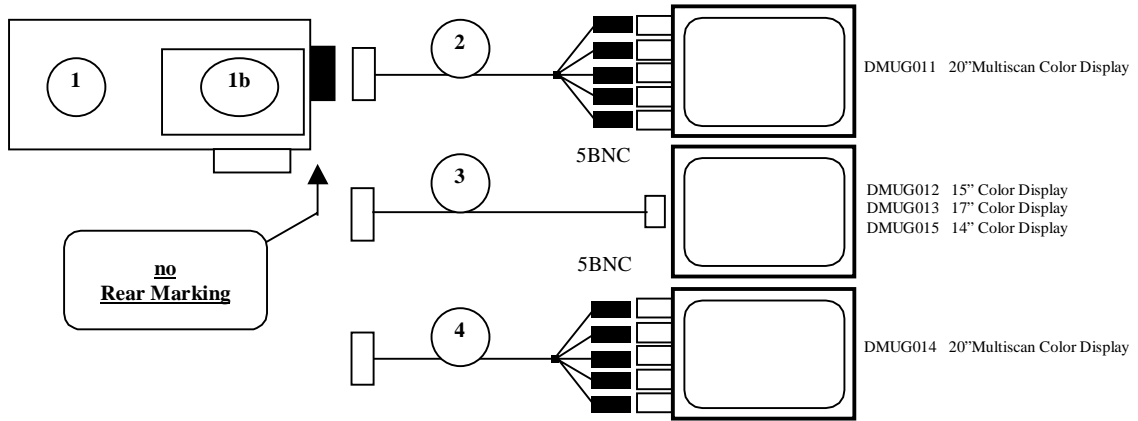
Item	M.I.	FC	Designation	Length	FRU
1	MSCG024-0000	6218	SSA Serial Controller	n/a	76730087-001
2	CBLG162-1400	5025	2,5m Subsystem Cable	2,5m	32H1465
	CBLG162-1700	5050	5,0m Subsystem Cable	5,0m	88G6404
	CBLG162-1900	5100	10,0m Subsystem Cable	10,0m	32H1466
	CBLG162-2100	5250	25,0m Subsystem Cable	25,0m	88G6406
3	CBLG163-1100	5010	1m Loop to Loop Cable	1m	07H8985
	CBLG164-1000	5006	0,6m Loop to Loop Cable	0,6m	31H7960
4	CBLG163-1000	5002	0,18m Loop to Loop Cable	0,18m	07H9163

Bus PCI Supported by :
**ESCALA RL470/A &
EPC1200/A**

Item	M.I.	FC	Designation	Length	FRU
1	MSCG036-0000	6215	SSA Serial Controller	n/a	96G9938
2	CBLG162-1400	5025	2,5m Subsystem Cable	2,5m	32H1465
	CBLG162-1700	5050	5,0m Subsystem Cable	5,0m	88G6404
	CBLG162-1900	5100	10,0m Subsystem Cable	10,0m	32H1466
	CBLG162-2100	5250	25,0m Subsystem Cable	25,0m	88G6406
3	CBLG163-1100	5010	1m Loop to Loop Cable	1m	07H8985
	CBLG164-1000	5006	0,6m Loop to Loop Cable	0,6m	31H7960
4	CBLG163-1000	5002	0,18m Loop to Loop Cable	0,18m	07H9163

Chapter 5. Graphics Adapters Connections

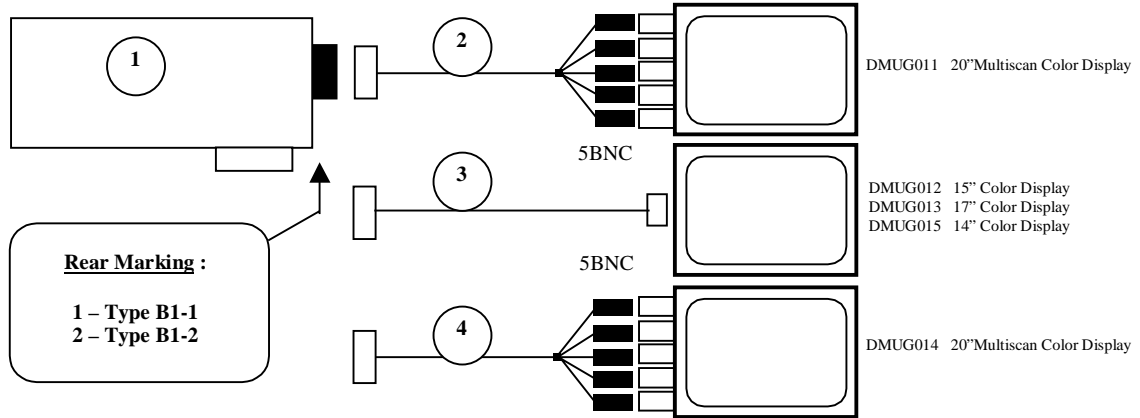
5.1 8Bit-2D Graphics Adapter (Model A)



**Bus PCI
Supported by :
ESTRELLA**

Item	M.I.	FC	Designation	Length	FRU
1	GTFG037-0000	n/a	PCI Graphics Adapt	n/a	01-W2865D02A
			2Mb Memory Graph.	n/a	01-W2865D03A
2	CBLG012-1300	n/a	Adapt Cable	1,8m	90703001-001
3	n/a	n/a	Supplied with Display	Tbd	Tbd
4	n/a	n/a	Supplied with Display	Tbd	URGB-PS2

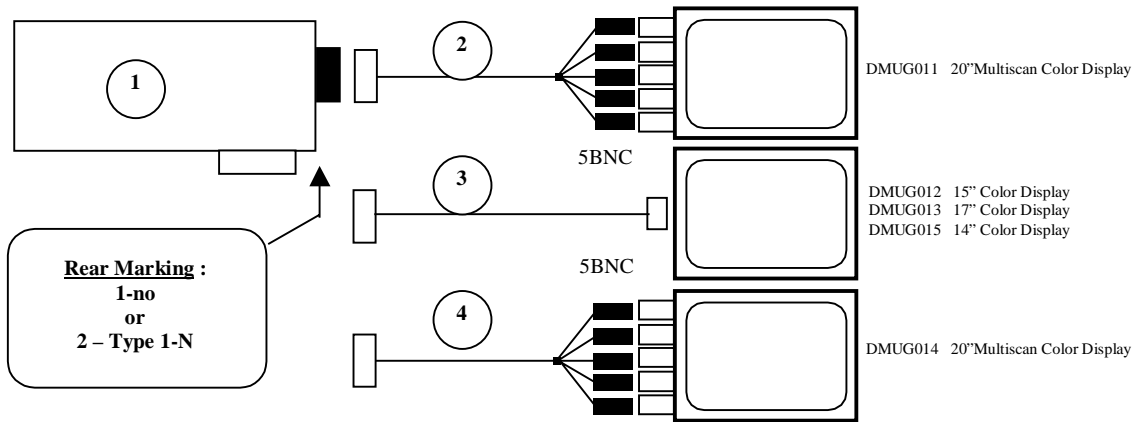
5.2 8Bit-2D Graphics Adapter (Model B)



Bus PCI
Supported by :
ESTRELLA

Item	M.I./Rear Marking	FC	Designation	Length	FRU
1	GTFG040-0000 B1-1	n/a	Graphics Adapt STB.	n/a	01-W2936D01A
1	GTFG043-0000 B1-2	n/a	Graphics Adapt 2Mb	n/a	01-W2901D01A
2	CBLG012-1300	n/a	Adapt Cable	1,8m	90703001-001
3	n/a	n/a	Supplied with Display	Tbd	Tbd
4	n/a	n/a	Supplied with Display	Tbd	URGB-PS2

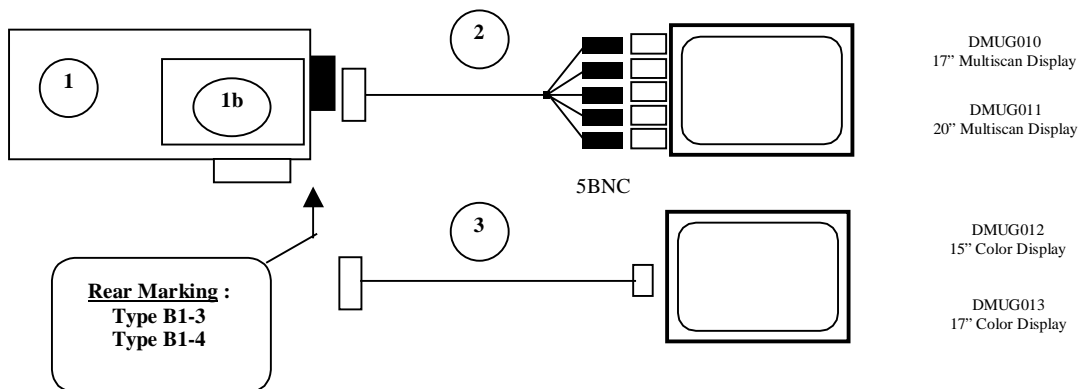
5.3 8Bit-2D Graphics Adapter (Model C)



**Bus PCI
Supported by :
ESTRELLA**

Item	M.I./Rear Marking	FC	Designation	Length	FRU
1	GTFG041-0000 no	2839	Graphics Adapt 110P	n/a	40H5838
1	GTFG042-0000 1-N	2852	Graphics Adapt 255P	n/a	93H2438
2	CBLG012-1300	n/a	Adapt Cable	1,8m	90703001-001
3	n/a	n/a	Supplied with Display	Tbd	Tbd
4	n/a	n/a	Supplied with Display	Tbd	URGB-PS2

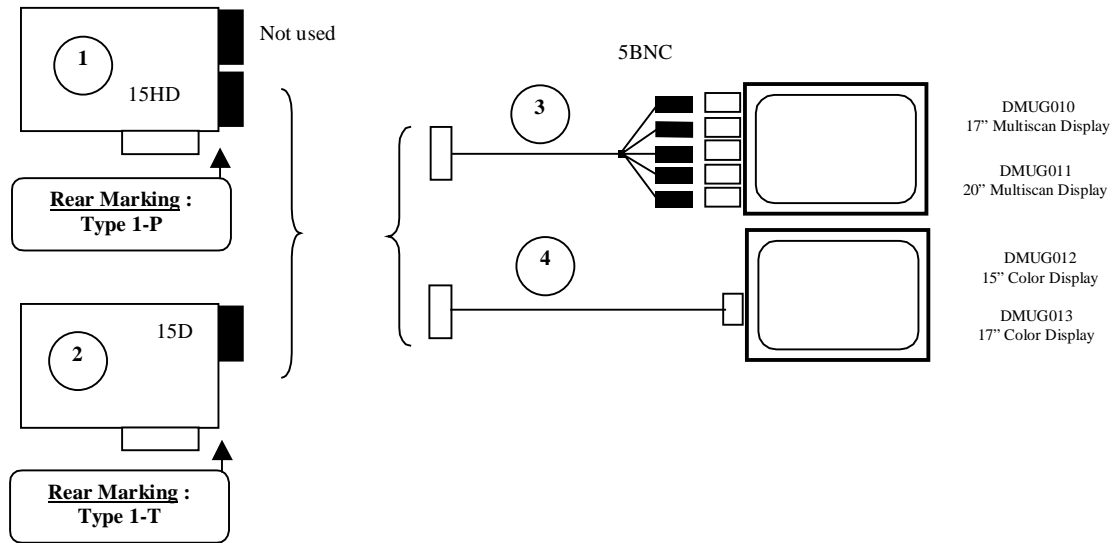
5.4 Matrox Graphics Adapter



Bus PCI supported by:
 ESCALA E & T series (GTFG039-0000)
 ESCALA E ,EPC400 & T series (GTFG039-0100)

Item	M.I./Rear Marking	FC	Designation	Length	FRU
1	GTFG039-0000 B1-3	n/a	4 Mb Graphics Adapt	n/a	76729605-001
1b	GTFG045-0000	n/a	4 mB Extension Mem	n/a	MGA-MIL-MOD4
1	GTFG039-0100 B1-4	n/a	4 Mb graphics Adapt	n/a	76730114-001
1b	GTFG045-0100	n/a	4 mB Extension Mem	n/a	MGA-MIL2-MOD4
2	CBLG012-1300	n/a	Adapt Cable	1,8m	90703001-001
3	n/a	n/a	Supplied with Display	Tbd	Tbd

5.5 2D GXT120P & GXT130P Graphics Adapters



Bus : PCI
Supported by :
ESCALA RL470/A
EPC1200/A & S series

Item	M.I./Rear Marking	FC	Designation	Length	FRU
1	GTFG046-0000 1-P	2838	GXT120P Graphics Adapt	n/a	93H2534
3	CBLG012-1300	n/a	Adapt Cable	1,8m	90703001-001
4	n/a	n/a	Supplied with Display	Tbd	Tbd

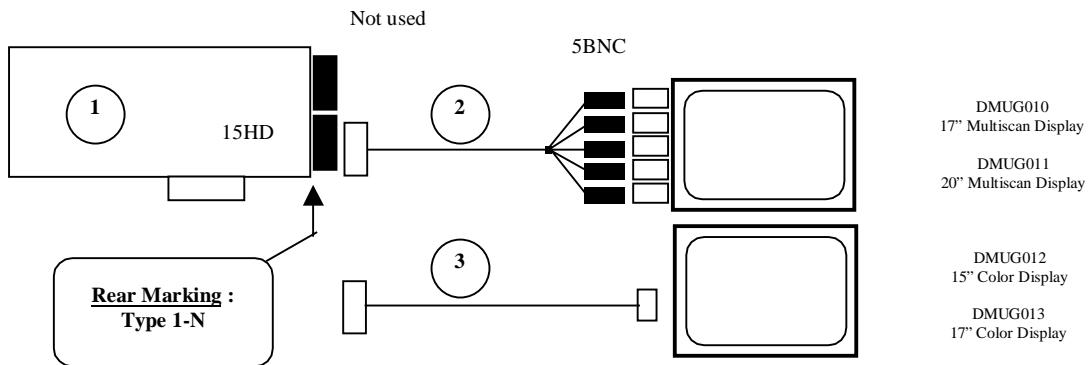
Bus : PCI
Supported by :
ESCALA S series

Item	M.I./Rear Marking	FC	Designation	Length	FRU
1	GTFG047-0000 1-P	2838	GXT120P Graphics Adapt	n/a	93H2534
3	CBLG012-1300	n/a	Adapt Cable	1,8m	90703001-001
4	n/a	n/a	Supplied with Display	Tbd	Tbd

Bus : PCI
Supported by :
ESCALA E230 ,EPC440
EPC1200/A ,EPC2400
S & T230 series

Item	M.I./Rear Marking	FC	Designation	Length	FRU
2	GTFG048-0000 1-T	2830	GXT130P Graphics Adapt	n/a	94H1236
3	CBLG012-1300	n/a	Adapt Cable	1,8m	90703001-001
4	n/a	n/a	Supplied with Display	Tbd	Tbd

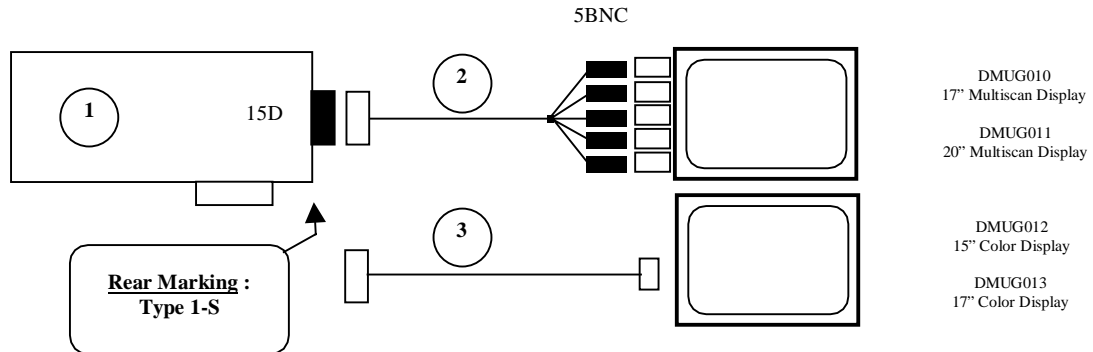
5.6 2D GXT255P Graphics Adapter



Bus PCI
Supported by :
ESTRELLA

Item	M.I.	FC	Designation	Length	FRU
1	GTFG042-0000	2852	GXT255P Graphics Adapt	n/a	93H2438
2	CBLG012-1300	n/a	Adapt Cable	1,8m	90703001-001
3	n/a	n/a	Supplied with Display	Tbd	Tbd

5.7 3D GXT2000P Graphics Adapter



Bus PCI
Supported by :
ESCALA S Series

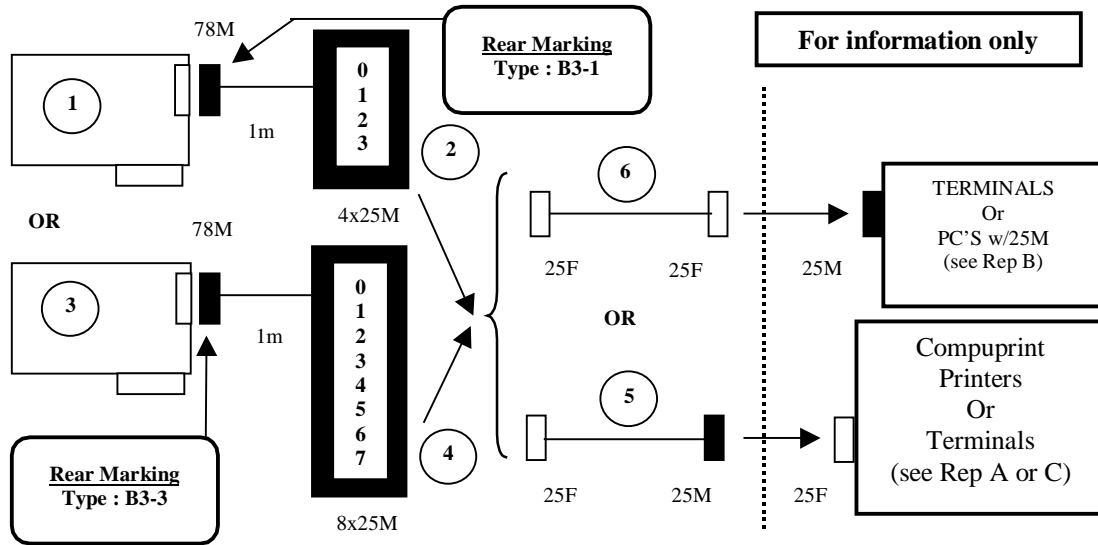
Item	M.I.	FC	Designation	Length	FRU
1	GTFG049-0000	2823	GXT2000P Graphics Adapt	n/a	07L7495
2	CBLG012-1300	n/a	Adapt Cable	1,8m	90703001-001
3	n/a	n/a	Supplied with Display	Tbd	Tbd

Chapter 6. Asynchronous Adapters Connections

6.1 COMM - ISA Adapters Connections

6.1.1 4/8 Ports Local RS232

Bus : ISA
 Supported by :
ESTRELLA

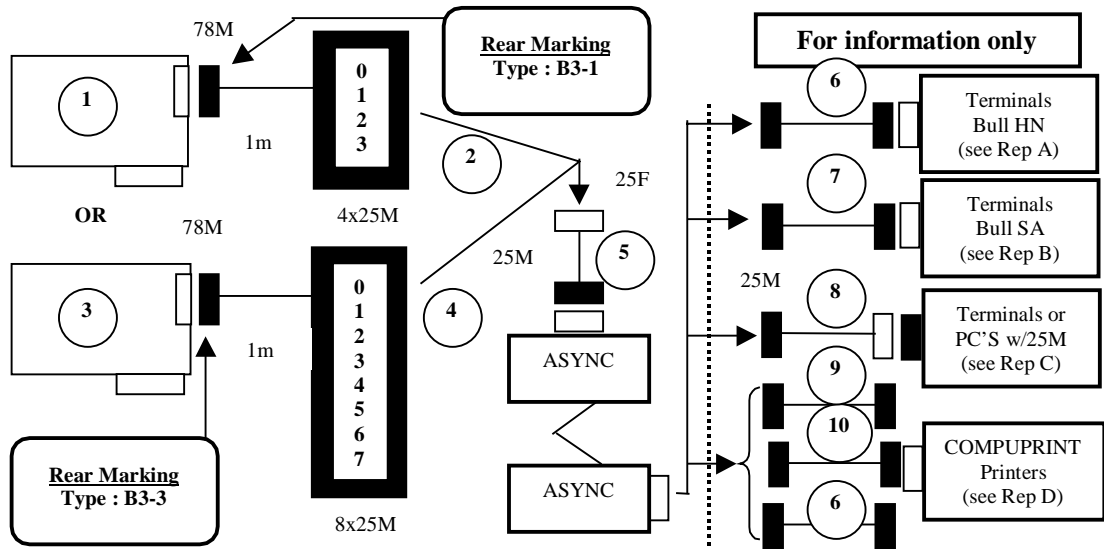


Item	M.I.	Designation	Length	Spare	Wrap Plug
1	DCCG059-0x00	4 Port Async RS232	n/a	55000393-001	n/a
2	n/a	Quad RS232 DTE Box	1,0m	50000405	6298964
3	DCCG061-0x00	8 port Async RS232	n/a	55000384-001	n/a
4	n/a	Octa RS232 DTE Box	1,0m	50000340	6298964
5	CBLG104-1600 CBLG104-2000	25F/25M Cable	3,5m 15m	90232001-001 90232002-001	n/a
6	CBLG105-1800	25F/25F Cable	7,5m	90233002-001	n/a

Rep	Designation
A	Terminals : (BDS1-BDS3)-BQ303-BQ306-BQ3158
B	Terminals : BQ310-BQ3102-BQ3103 BQ3156
C	Printers : 922-923-924-924N-4/51-4/54-970-1070 PM201-PM411-PM422-PM721-PM1021 413-825-956-815-1025

6.1.2 4/8 Ports Remote RS232

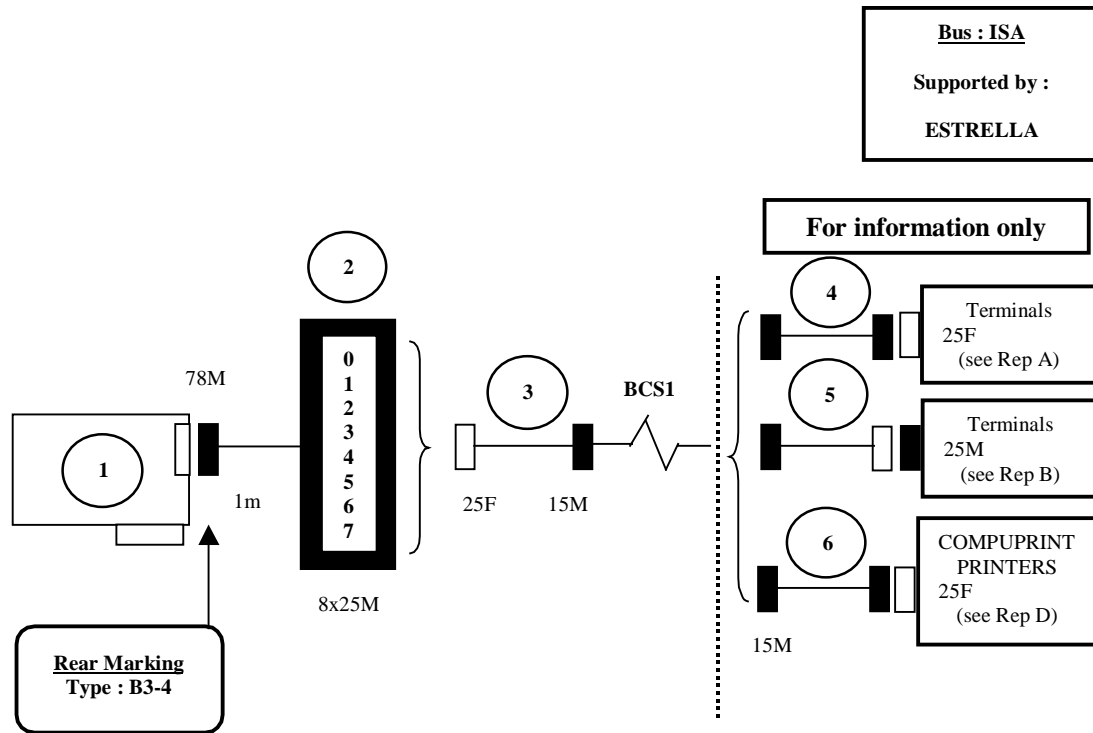
Bus : ISA
Supported by :
ESTRELLA



Item	M.I.	Designation	Length	Spare	Wrap Plug
1	DCCG059-0x00	4 Port Async RS232		55000393-001	n/a
2	n/a	Quad RS232 DTE Box	1,0m	50000405	6298964
3	DCCG061-0x00	8 port Async RS232	n/a	55000384-001	n/a
4	n/a	Octa RS232 DTE Box	1,0m	50000340	6298964
5	CBLG106-1800	25F/25M Cable	15m	90234001-001	n/a
6	VCW160x	25M/25M Cable	3/15m		
7	CBL2111	25M/25M Cable	2,5m		
8	CBL2101	25M/25F Cable	3,6m		
9	CBL1214	25M/25M Cable	2,5m		
10	CBL7500	25M/25M Cable	10m		

Rep	Designation
A	Terminals : (BDS1-BDS3)-BQ303-BQ306-BQ3158
B	Terminals : BQ303-BQ306
C	Terminals : BQ310-BQ3102-BQ3103-BQ3156
D	Printers : 922-923-924-924N-4/51-4/54-970-1070 PM201-PM411-PM422-PM721-PM1021 413-825-956-815-1015-1025

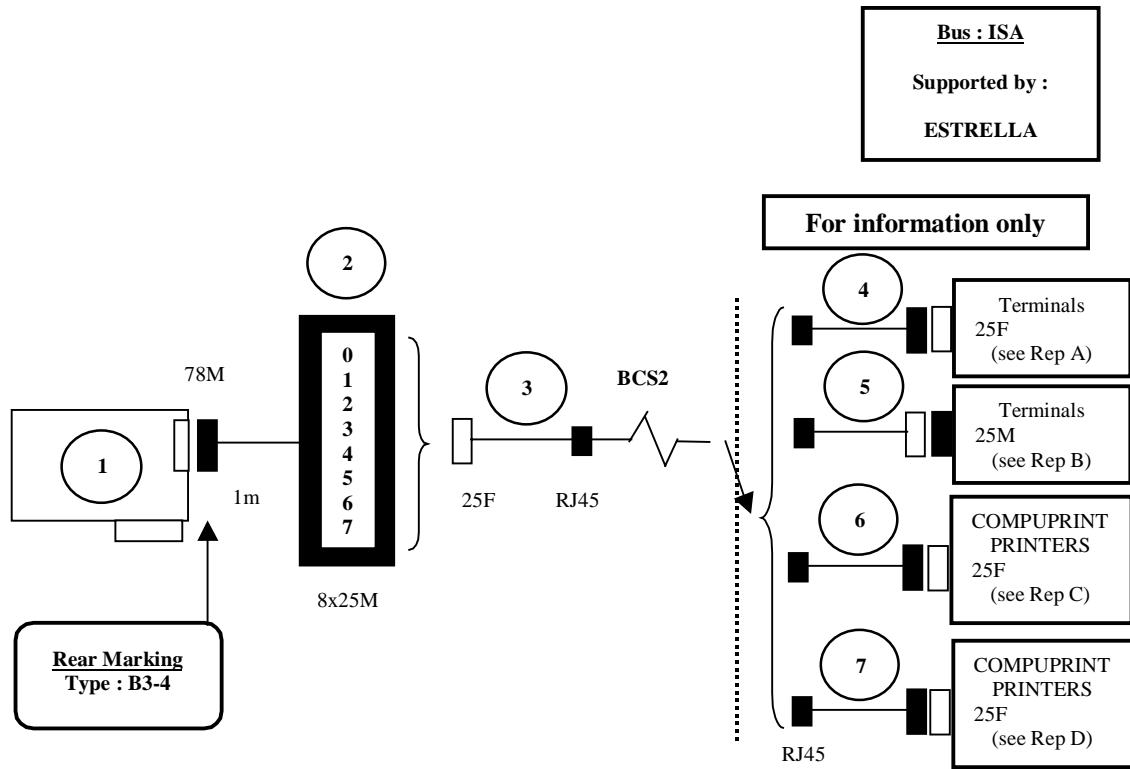
6.1.3 8 Ports Local RS422 to BCS1 with Sub-D



Item	M.I.	FC	Designation	Length	FRU	Wrap Plug
1	DCCG062-0x00	n/a	8 Port Async RS422		55000509-001	Tbd
2	n/a	n/a	Octa RS422 DTE Box	1m	50000422	Tbd
3	CBLG108-2000	n/a	25F/15M Cable	15m	90236001-001	n/a
4	CBL3041	n/a	15M/25M Cable	3,6m		
5	CBL3102	n/a	15M/25F Cable	3,6m		
6	VCW3653	n/a	15M/25M Cable	15m		

Rep	Designation
A	Terminals : BQ303-BQ306
B	Terminals : BQ310-BQ3102-BQ3103-BQ3156
C	Printers : 922-923-924-924N-4/51-4/54-970-1070 PM201-PM411-PM422-PM721-PM1021 413-825-956-815-1015-1025

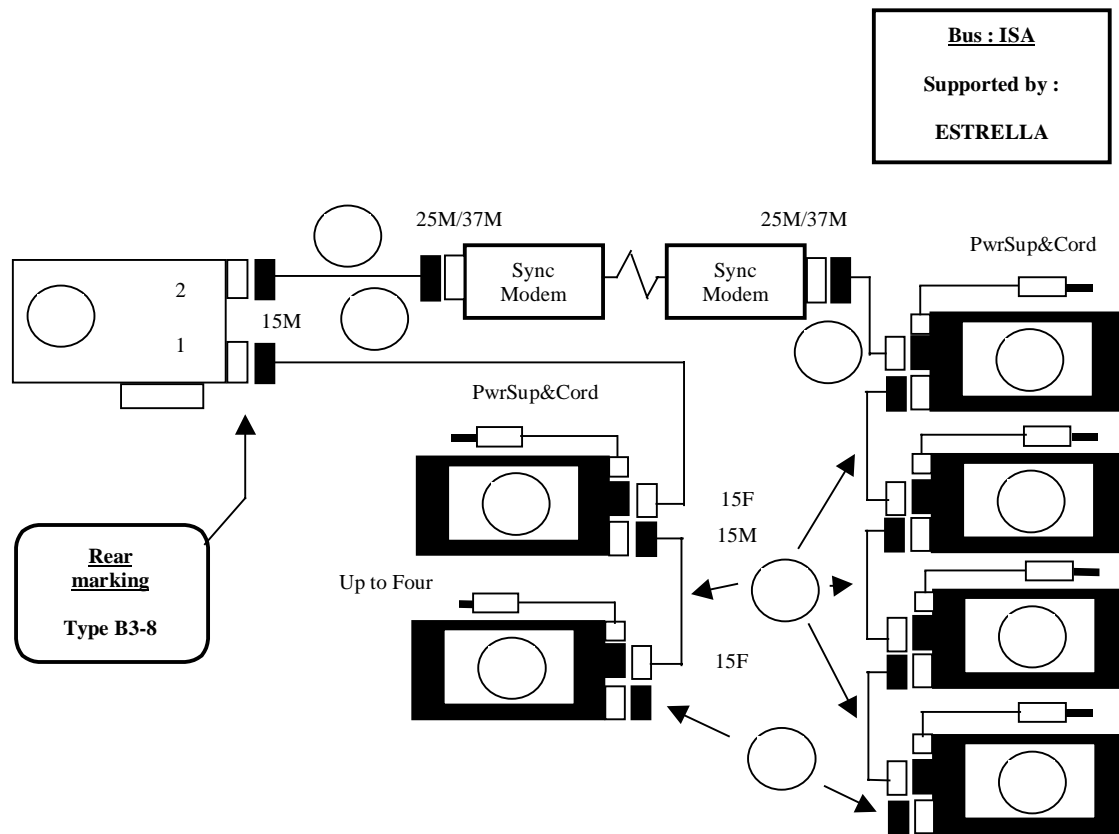
6.1.4 8 Ports Local RS422 to BCS2 with Modular Jack



Item	M.I.	FC	Designation	Length	FRU	Wrap Plug
1	DCCG062-0x00	n/a	8 Port Async RS422		55000509-001	Tbd
2	n/a	n/a	Octa RS422 DTE Box	1,m	50000422	Tbd
3	CBLG109-2000	n/a	25F/RJ45M Cable	15m	90237001-001	n/a
4	CBL3042	n/a	RJ45M/25M Cable	3,6m		
5	CBL3103	n/a	RJ45M/25F Cable	5m		
6	VCW3654	n/a	RJ45M/25M Cable	15m		
7	CBLG024-2000	n/a	RJ45M/25M Cable	15m		

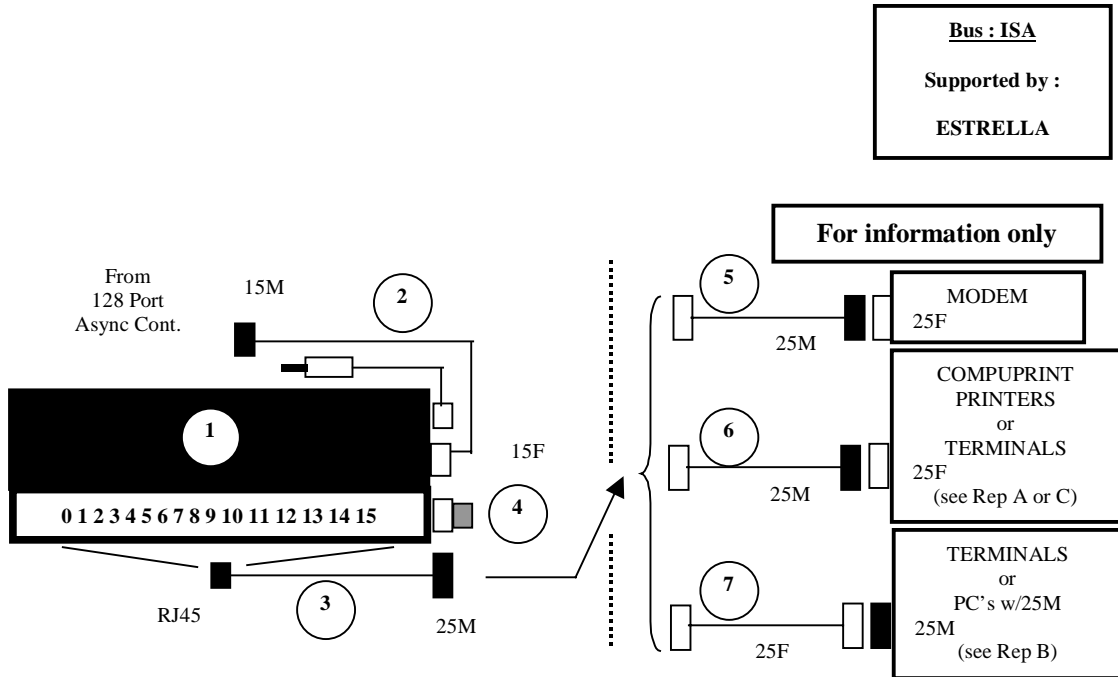
Rep	Designation
A	Terminals : BQ303 – BQ306
B	Terminals : BQ310 – BQ3102 – BQ3103 – BQ3156
C	Printers : 922 – 923 – 924 - 924N - 4/51 - 4/54 970 - 1070 - PM721 - PM1021 411 – 825 – 956 – 815 – 1015 - 1025
D	Printers : PM422 – PM413

6.1.5 128 Ports/16 Ports Cluster Box Local/Remote RS232



Item	M.I	FC	DESIGNATION	Length	FRU	Wrap Plug
1	DCCG079-0x00	n/a	128 Port Async Ctr	n/a	76729410-001	60000401
2	DCCG078-0x0y	n/a	C/Con 16 Port Box	n/a	76729777-001	60000401
3	CBLG039-1700	n/a	Cable RS232	4,6m	9005001-001	n/a
	CBLG040-1700	n/a	Cable RS422	4,6m	9006001-001	n/a
4	CBLG041-1700	n/a	Cable RS232	4,6m	9007001-001	n/a
	CBLG042-1700	n/a	Cable RS422	4,6m	9008001-001	n/a
5	n/a	n/a	Interface Cable	3m	62110120	n/a
6	n/a	n/a	Term (1 per DCCGxxx)	n/a	60000388	n/a

6.1.6 128 Ports/16 Ports Cluster Box Local RS232

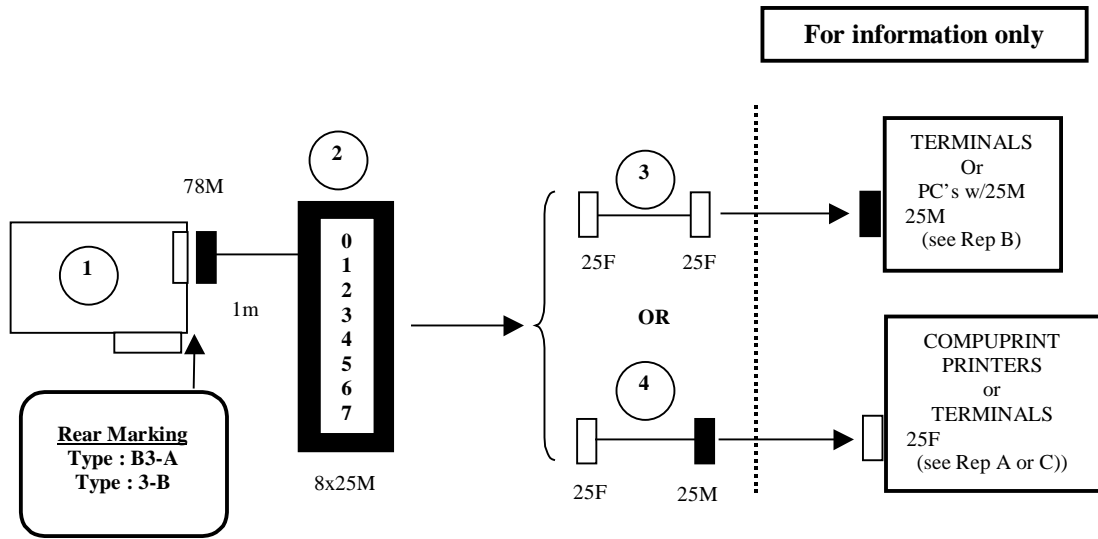


Item	M.I.	FC	Designation	Length	FRU
1	DCCG078-0x0y	n/a	16 C/Con Port box	Nn/a	76729777-001
2	n/a	n/a	Interface Cable	3,0m	62110120
3	CKTG016-0100	n/a	4x RJ45 to 25DB Cables	0,6m	61020024
4	n/a	n/a	Term.(1 per DCCGxxx)	n/a	60000388
5	CBLG106-2000	n/a	25F/25M Cable	n/a	90234001-001
6	CBLG104-1600	n/a	25F/25M Cable	3,5m	90232001-001
	CBLG104-2000			15m	90232002-001
7	CBLG105-1800	n/a	25F/25F Cable	7,5m	90233002-001

Rep	Designation
A	Terminals : (BDS1-BDS3)-BQ303-BQ306-BQ3158
B	Terminals : BQ310-BQ3102-BQ3103 BQ3156
C	Printers : 922-923-924-924N-4/51-4/54-970-1070 PM201-PM411-PM422-PM721-PM1021 413-825-956-815-1025

6.2 COMM - PCI Adapters Connections

6.2.1 8 Ports Local RS232



Bus PCI supported by :
ESCALA E, E230
EPC400,EPC430,
S, T & T430 Series

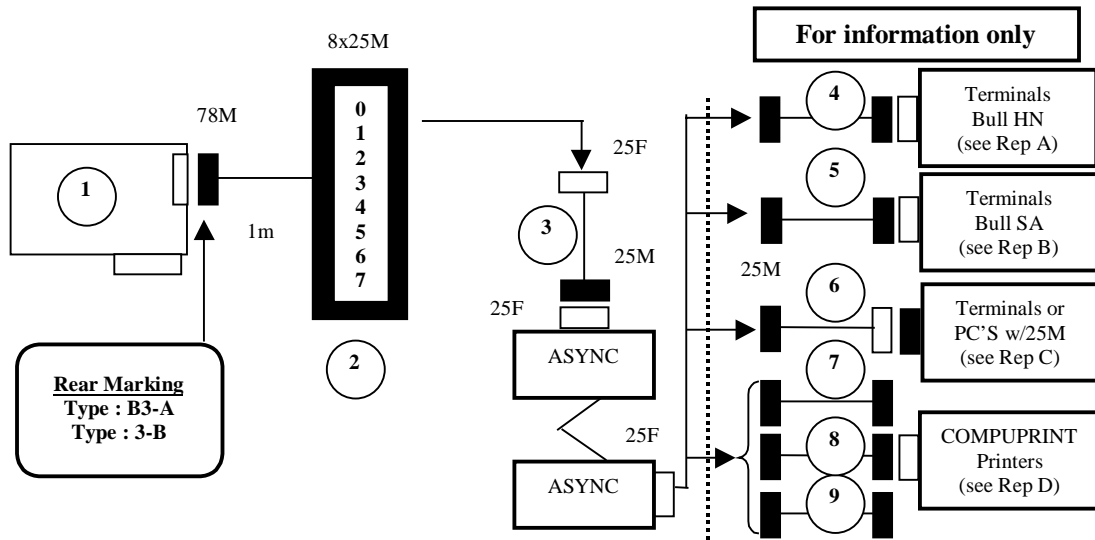
Item	M.I./Rear Marking	FC	Designation	Length	FRU	Wrap Plug
1	DCCG087-0000 B3-A	n/a	8 Port Async 232	n/a	76729564-001	n/a
2	n/a	n/a	Octo RS232 Box	1,0m	50000340	6298964
3	CBLG105-1600	n/a	25F/25F Cable	3,5m	90233001-001	n/a
	CBLG105-1800	n/a		7,5m	90233002-001	n/a
	CBLG105-2000	n/a		15m	90233002-001	n/a
4	CBLG104-1600	n/a	25F/25M cable	3,5m	90232001-001	n/a
	CBLG104-2000	n/a		15m	90232002-001	n/a

Bus PCI supported by:
ESCALA EPC1200/A,
EPC2400 & RL470/A

Item	M.I./Rear Marking	FC	Designation	Length	FRU	Wrap Plug
1	DCCG130-0000 3-B	n/a	8 Port Async 232	n/a	93H6541	6298964
2	n/a	n/a	Octo RS232 Box	1,0m	11H5967	n/a
3	CBLG105-1600	n/a	25F/25F Cable	3,5m	90233001-001	n/a
	CBLG105-1800	n/a		7,5m	90233002-001	n/a
	CBLG105-2000	n/a		15m	90233002-001	n/a
4	CBLG104-1600	n/a	25F/25M cable	3,5m	90232001-001	n/a
	CBLG104-2000	n/a		15m	90232002-001	n/a

Rep	Designation
A	Terminals : (BDS1-BDS3)-BQ303-BQ306-BQ3158
B	Terminals : BQ310-BQ3102-BQ3103 BQ3156
C	Printers : 922-923-924-924N-4/51-4/54-970-1070 PM201-PM411-PM422-PM721-PM1021 413-825-956-815-1025

6.2.2 8 Ports Remote RS232



**Bus PCI supported by: ESCALA E, E230
EPC400,EPC430, S, T & T430 Series**

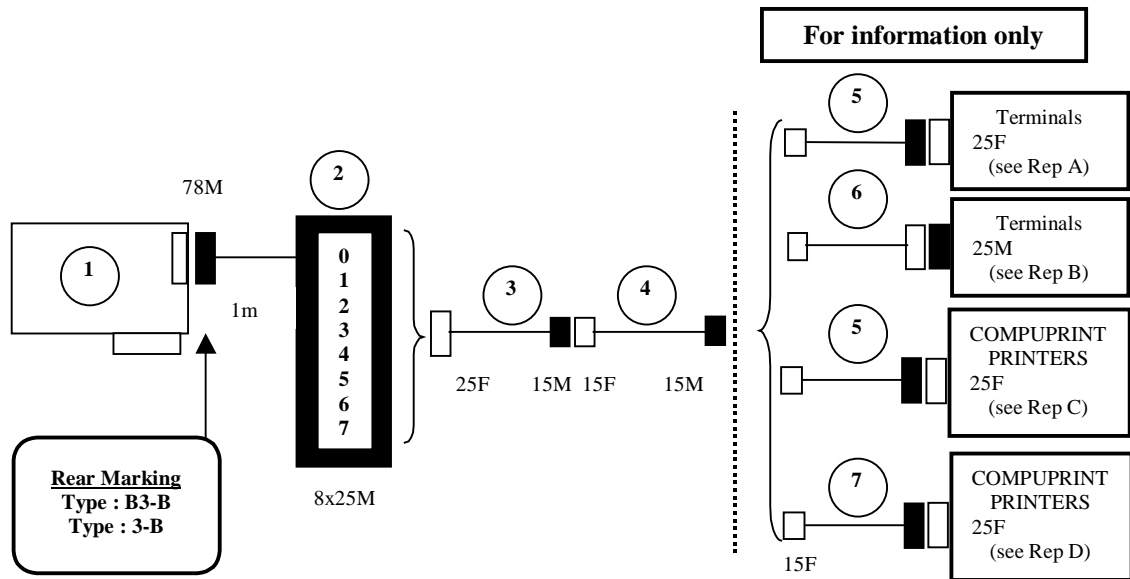
Item	M.I./Rear Marking	FC	Designation	Length	FRU	Wrap Plug
1	DCCG087-0000 B3-A	n/a	8 Port Async 232		76729564-001	n/a
2	n/a	n/a	Octo RS232 Box	1,0m	50000340	6298964
3	CBLG106-2000	n/a	25F/25M Cable	15m	90234001-001	n/a
4	VCW160x		25M/25M Cable	3/15m		
5	CBL2111		25M/25M Cable	2,5m		
6	CBL2101		25M/25F Cable	3,6m		
7	CBL1214		25M/25M Cable	2,5m		
8	CBL7500		25M/25M cable	15m		

**Bus PCI supported by:
ESCALA EPC1200/A,
EPC2400 & RL470/A**

Item	M.I./Rear Marking	FC	Designation	Length	FRU	Wrap Plug
1	DCCG130-0000 3-B	n/a	8 Port Async 232		93H6541	6298964
2	n/a	n/a	Octo RS232 Box	1,0m	11H5967	n/a
3	CBLG106-2000	n/a	25F/25M Cable	15m	90234001-001	n/a
4	VCW160x		25M/25M Cable	3/15m		
5	CBL2111		25M/25M Cable	2,5m		
6	CBL2101		25M/25F Cable	3,6m		
7	CBL1214		25M/25M Cable	2,5m		
8	CBL7500		25M/25M cable	15m		

Rep	Designation
A	Terminals : (BDS1-BDS3)-BQ303-BQ306-BQ3158
B	Terminals : BQ303-BQ306
C	Terminals : BQ310-BQ3102-BQ3103-BQ3156
D	Printers : 922-923-924-924N-4/51-4/54-970-1070 PM201-PM411-PM422-PM721-PM1021 413-825-956-815-1015-1025

6.2.3 8 Ports Local RS422



Bus PCI supported by :
ESCALA E, E230
EPC400,EPC430,
S, T & T430 Series

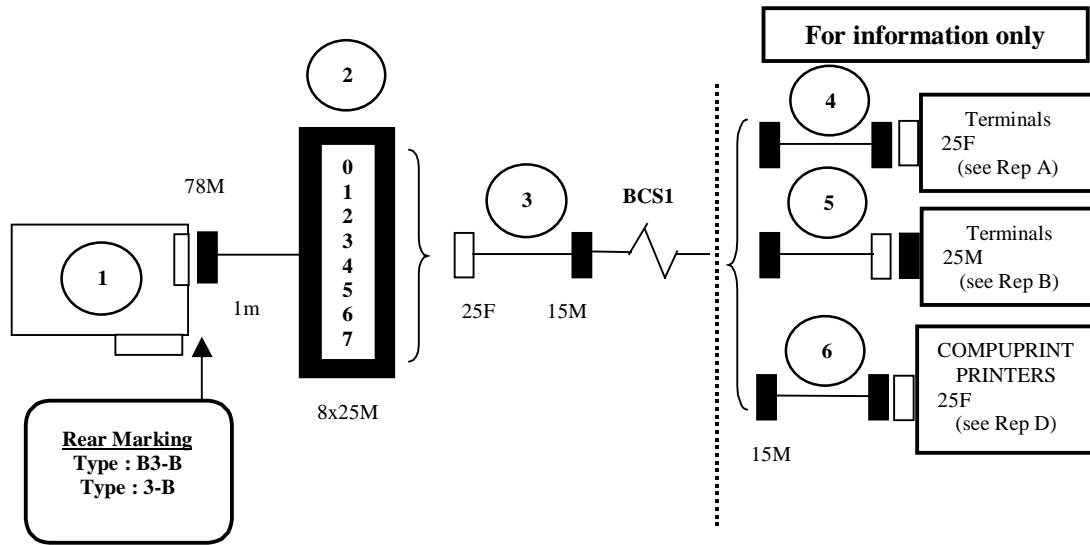
Item	M.I./Rear Marking	FC	Designation	Length	FRU	Wrap Plug
1	DCCG088-0000 B3-B	n/a	8 Port Async RS422		76726565-001	n/a
2	n/a	n/a	Octo RS422 DTE Box	1,0m	50000422	n/a
3	CBLG107-1200	n/a	25F/15M Cable	1,5m	90235001-001	n/a
4	VCW260x or 261x	n/a	15F/15M Cable	15/600m		
5	VCW2622	n/a	15F/25M Cable	3m		
6	VCW3661	n/a	15F/25F Cable	7,5m		
7	CBLG023-1800	n/a	15F/25M Cable	7,5m		

Bus PCI supported by:
ESCALA EPC1200/A,
EPC2400 & RL470/A

Item	M.I./Rear Marking	FC	Designation	Length	FRU	Wrap Plug
1	DCCG130-0000 3-B	2943	8 Port Async RS422		93H6541	6298964
2	n/a	n/a	Octo RS422 DTE Box	1,0m	11H5967	n/a
3	CBLG107-1200	n/a	25F/15M Cable	1,5m	90235001-001	n/a
4	VCW260x or 261x	n/a	15F/15M Cable	15/600m		
5	VCW2622	n/a	15F/25M Cable	3m		
6	VCW3661	n/a	15F/25F Cable	7,5m		
7	CBLG023-1800	n/a	15F/25M Cable	7,5m		

Rep	Designation
A	Terminals : (BDS1 – BDS3) - BQ303 – BQ306 – BQ3158
B	Terminals : BQ310 – BQ3102 – BQ3103 – BQ3156
C	Printers : 922 – 923 – 924 - 924N - 4/51 - 4/54 970 - 1070 - PM721 - PM1021 411 – 825 – 956 – 815 – 1015 – 1025
D	Printers : PM422 – PM413

6.2.4 8 Ports Local RS422 to BCS1 with Sub-D



Bus PCI supported by :
ESCALA E, E230
EPC400,EPC430,
S, T & T430 Series

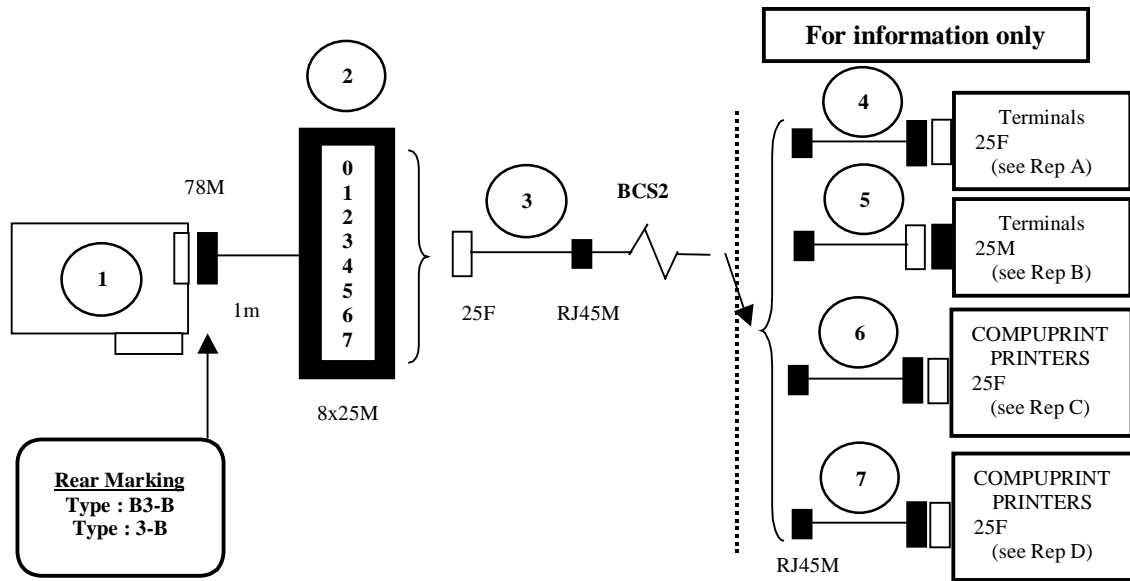
Item	M.I./Rear Marking	FC	Designation	Length	FRU	Wrap Plug
1	DCCG088-0000 B3-B	n/a	8 Port Async RS422		76729565-001	Tbd
2	n/a	n/a	Octa RS422 DTE Box	1,0m	50000422	Tbd
3	CBLG108-2000	n/a	25F/15M Cable	15m	90236001-001	n/a
4	CBL3041	n/a	15M/25M Cable	3,6m		
5	CBL3102	n/a	15M/25F Cable	3,6m		
6	VCW3653	n/a	15M/25M Cable	15m		

Bus PCI supported by:
ESCALA EPC1200/A,
EPC2400 & RL470/A

Item	M.I./Rear Marking	FC	Designation	Length	FRU	Wrap Plug
1	DCCG130-0000 3-B	2943	8 Port Async RS422		93H6541	6298964
2	n/a	n/a	Octa RS422 DTE Box	1,0m	11H5967	Tbd
3	CBLG108-2000	n/a	25F/15M Cable	15m	90236001-001	n/a
4	CBL3041	n/a	15M/25M Cable	3,6m		
5	CBL3102	n/a	15M/25F Cable	3,6m		
6	VCW3653	n/a	15M/25M Cable	15m		

Rep	Designation
A	Terminals : BQ303-BQ306
B	Terminals : BQ310-BQ3102-BQ3103-BQ3156
C	Printers : 922-923-924-924N-4/51-4/54-970-1070 PM721-PM1021 PM201-411-422

6.2.5 8 Ports Local RS422 to BCS2 with Modular Jack



Bus PCI supported by :
 ESCALA E, E230
 EPC400, EPC430,
 S, T & T430 Series

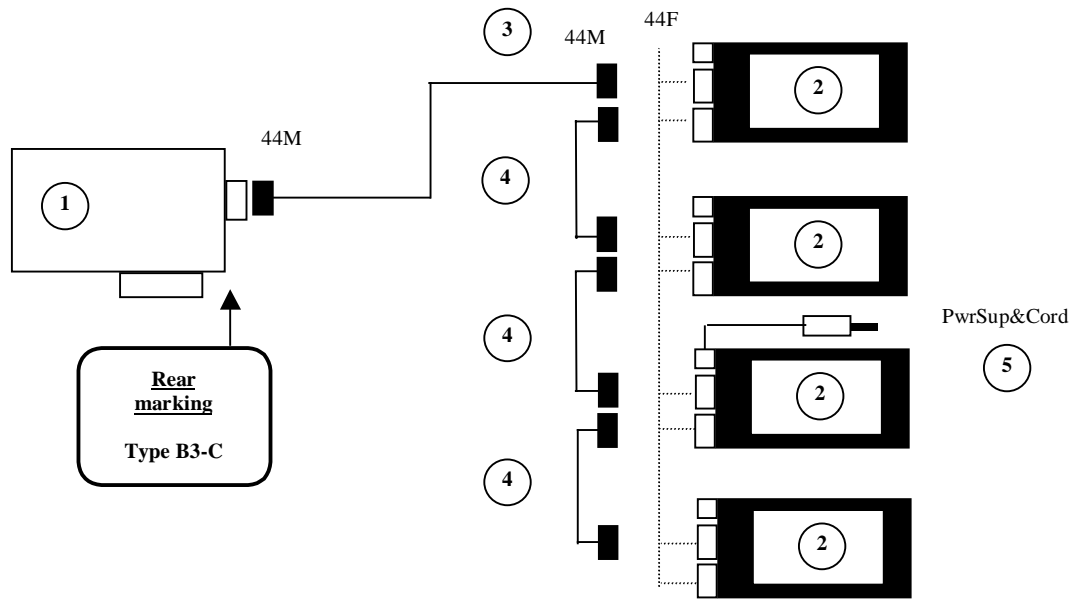
Item	M.I./Rear Marking	FC	Designation	Length	FRU	Wrap Plug
1	DCCG088-0000 B3-B	n/a	8 Port Async RS422		55000565-001	Tbd
2	n/a	n/a	Octa RS422 DTE Box	1,0m	50000422	Tbd
3	CBLG109-2000	n/a	25F/RJ45M Cable	15m	90237001-001	n/a
4	CBL3042	n/a	RJ45M/25M Cable	3,6m		
5	CBL3103	n/a	RJ45M/25F Cable	5m		
6	VCW3654	n/a	RJ45M/25M Cable	15m		
7	CBLG024-2000	n/a	RJ45M/25M Cable	15m		

Bus PCI supported by:
 ESCALA EPC1200/A,
 EPC2400 & RL470/A

Item	M.I./Rear Marking	FC	Designation	Length	FRU	Wrap Plug
1	DCCG130-0000 3-B	2943	8 Port Async RS422		93H6541	Tbd
2	n/a	n/a	Octa RS422 DTE Box	1,0m	11H5967	Tbd
3	CBLG109-2000	n/a	25F/RJ45M Cable	15m	90237001-001	n/a
4	CBL3042	n/a	RJ45M/25M Cable	3,6m		
5	CBL3103	n/a	RJ45M/25F Cable	5m		
6	VCW3654	n/a	RJ45M/25M Cable	15m		
7	CBLG024-2000	n/a	RJ45M/25M Cable	15m		

Rep	Designation
A	Terminals : BQ303 – BQ306
B	Terminals : BQ310 – BQ3102 – BQ3103 – BQ3156
C	Printers : 922 – 923 – 924 – 924N - 4/51 - 4/54 970 - 1070 - PM721 - PM1021 411 – 825 – 956 – 815 – 1015 - 1025
D	Printers : PM422 – PM413

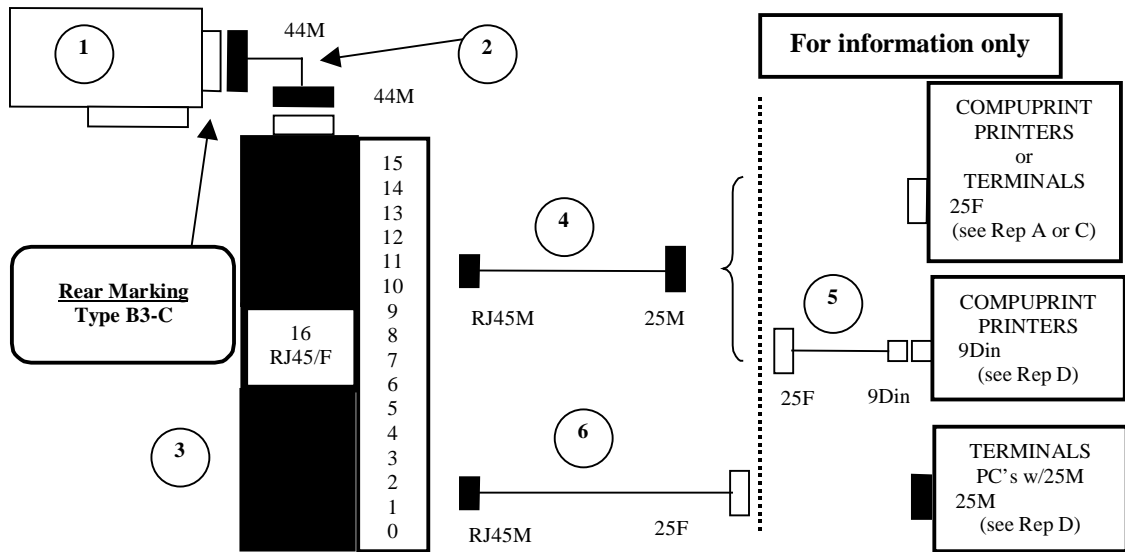
6.2.6 64 Ports / 16 Ports Connection Box



Bus PCI supported by :
ESCALA E, E230
EPC400, EPC430,
S, T & T430 Series

Item	M.I./Rear Marking	FC	Designation	Length	FRU
1	DCCG089-0000 B3-C	n/a	64 Async Ctr RS232/422	n/a	76729566-001
2	DCCG091-0000 B3-C	n/a	16 Port Concent RS232	n/a	76729567-001
	DCCG092-0000 B3-C	n/a	16 Port Concent RS422	n/a	76729568-001
3			44M/44M Cable	3m	76000274
4			44M/44M Cable	0,4m	76000273
5	n/a	n/a	Power Supply		76000275

6.2.7 64 Ports Local RS232

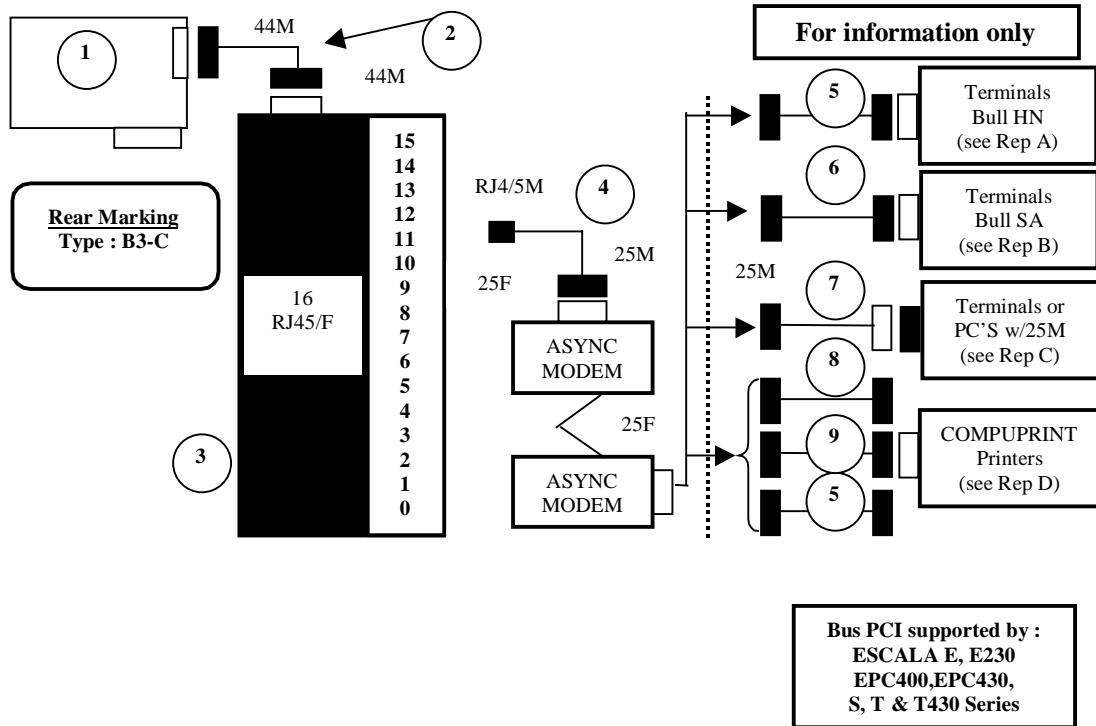


Bus PCI supported by :
ESCALA E, E230
EPC400,EPC430,
S, T & T430 Series

Item	M.I./Rear Marking	FC	Designation	Length	FRU
1	DCCG089-0000 B3-C	n/a	64 Async Ctr RS232/422	n/a	76729566-001
2	n/a	n/a	44M/44M Cable	3m	76000274
3	DCCG091-0000 B3-C	n/a	16 Port Concent RS232	n/a	76729567-001
4	CBLG165-1800	n/a	RJ45/25M Cable	7,5m	90870001-001
	CBLG165-2000			15m	90870002-001
5	CBLG140-1700	n/a	25F/9Din Cable	5m	
6	CBLG166-1800	n/a	RJ45/25F cable	7,5m	90871001-001
	CBLG166-2000			15m	90871002-001

Rep	Designation
A	Terminals : (BDS1 – BDS3) - BQ303 – BQ306 – BQ3158
B	Terminals : BQ310 – BQ3102 – BQ3103 – BQ3156
C	Printers : 922 – 923 – 924 - 924N - 4/51 - 4/54 – 970 1070 – PM201 – PM411 – PM422 - PM721 PM1021 - 413 – 825 – 956 – 815 – 1015 - 1025
D	Printers : 922 – 923 – 924 – 924N

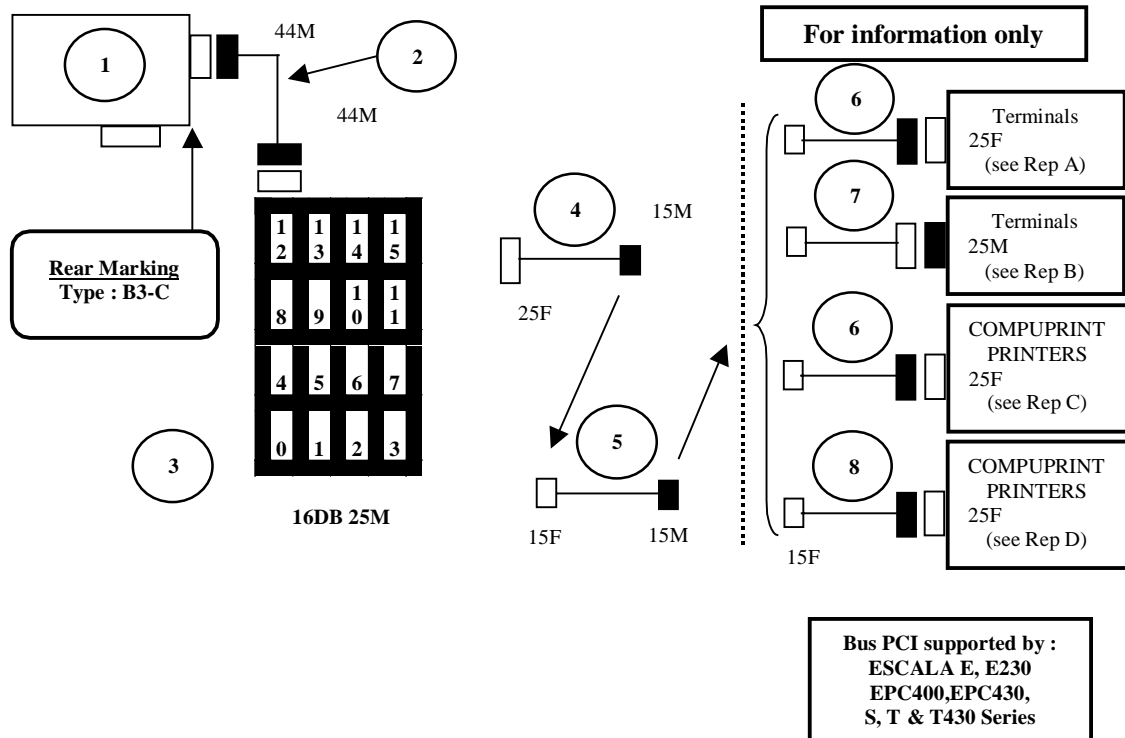
6.2.8 64 Ports Remote RS232



Item	M.I./Rear Marking	FC	Designation	Length	FRU
1	DCCG089-0000 B3-C	n/a	64 Async Ctr RS232/422	n/a	76729566-001
2	n/a	n/a	44M/44M Cable	3,0m	76000274
3	DCCG091-0000 B3-C	n/a	16 Port Concent RS232	n/a	76729567-001
4	CBLG169-2000	n/a	RJ45/25M Cable	15m	90872001-001
5	VCW160x		25M/25M Cable	3/15m	
6	CBL2111		25M/25M Cable	2,5m	
7	CBL2101		25M/25F Cable	3,6m	
8	CBL1214		25M/25M Cable	2,5m	
9	CBL7500		25M/25M Cable	10m	

Rep	Designation
A	Terminals : (BDS1-BDS3)-BQ303-BQ306-BQ3158
B	Terminals : BQ303-BQ306
C	Terminals : BQ310-BQ3102-BQ3103-BQ3156
D	Printers : 922-923-924-924N-4/51-4/54-970-1070 PM201-PM411-PM422-PM721-PM1021 413-825-956-815-1015-1025

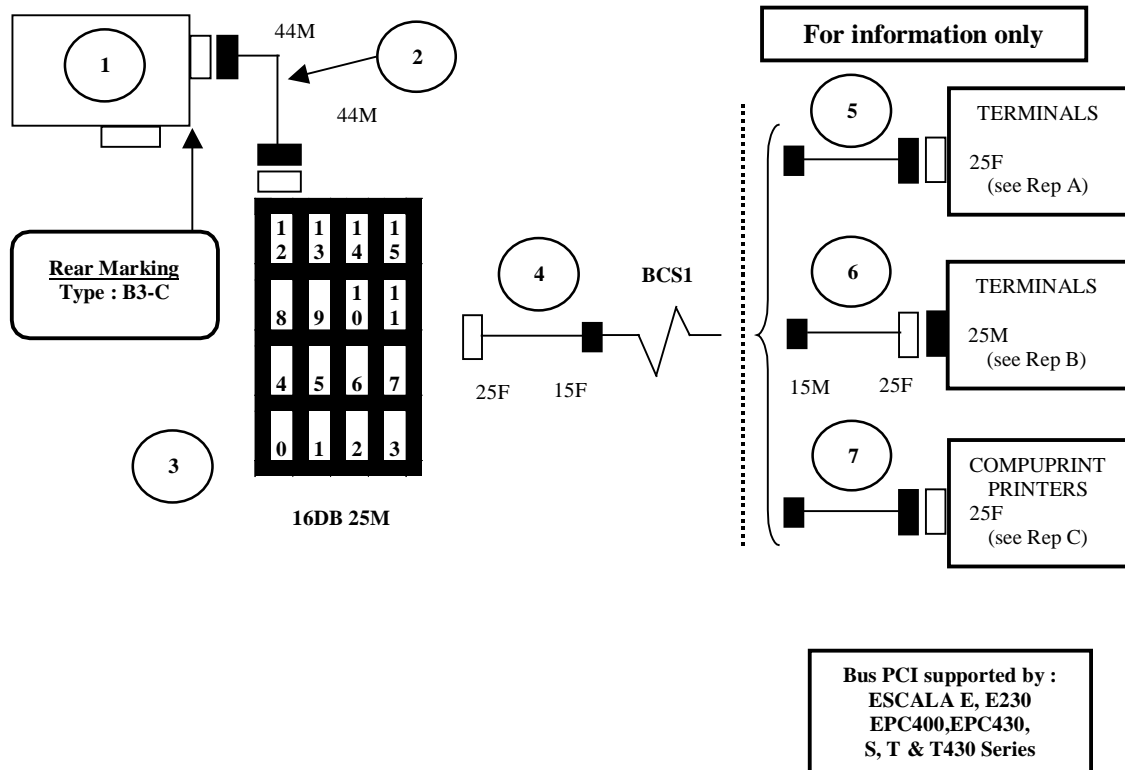
6.2.9 64 Ports Local RS422



Item	M.I./Rear Marking	FC	Designation	Length	FRU
1	DCCG089-0000 B3-C	n/a	64 Async Ctr RS232/422	n/a	76729566-001
2	n/a	n/a	44M/44M Cable	3,0m	76000274
3	DCCG092-0000 B3-C	n/a	16 Port Concent RS422	n/a	76729568-001
4	CBLG107-1200	n/a	Local Cable DB25F/D15M	1,5m	90235001-001
5	VCW260x or 261x		15F/15M Cable	15/600m	
6	VCW2622		15F/25M Cable	3m	
7	VCW3661		15F/25F Cable	7,5m	
8	CBLG023-1800		15F/25M Cable	7,5m	

Rep	Designation
A	Terminals : (BDS1 – BDS3) - BQ303 – BQ306 – BQ3158
B	Terminals : BQ310 – BQ3102 – BQ3103 – BQ3156
C	Printers : 922 – 923 – 924 - 924N - 4/51 - 4/54 970 - 1070 - PM721 - PM1021 411 – 825 – 956 – 815 – 1015 – 1025
D	Printers : PM422 – PM413

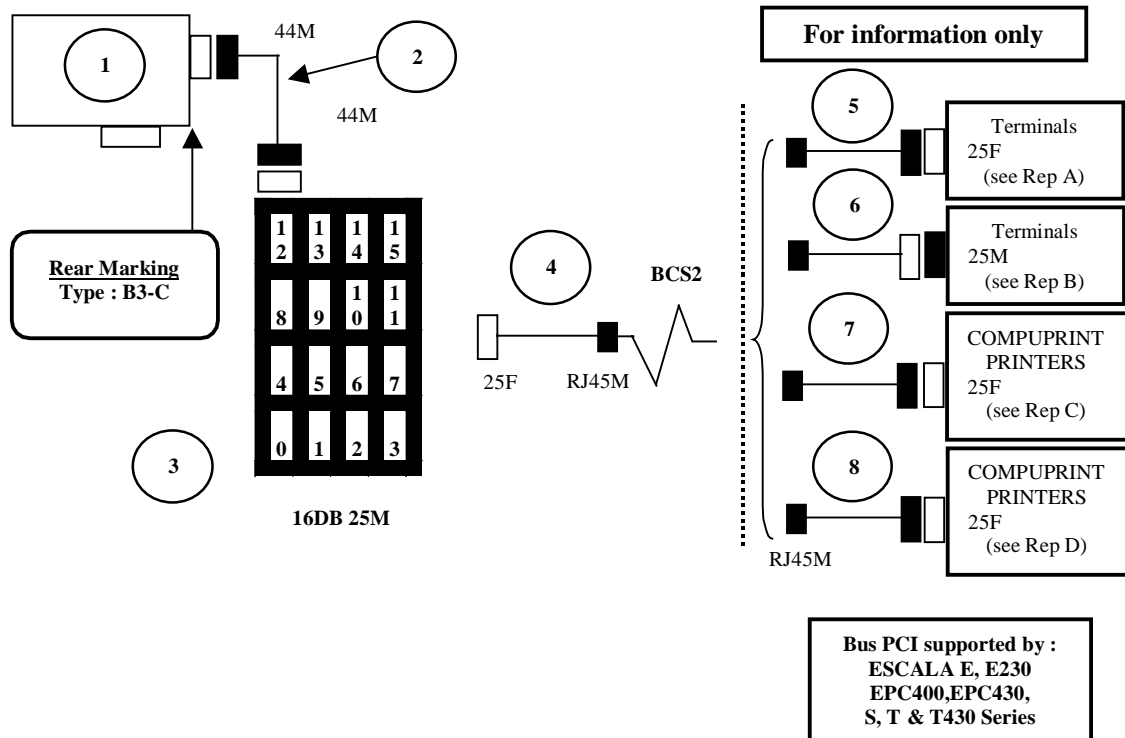
6.2.10 64 Ports Local RS422 to BCS1 with Sub-D



Item	M.I./Rear Marking	FC	Designation	Length	FRU
1	DCCG089-0000 B3-C	n/a	64 Async Ctr RS232/422	n/a	76729566-001
2	n/a	n/a	44M/44M Cable	3,0m	76000274
3	DCCG092-0000 B3-C	n/a	16 Port Concent RS422	n/a	76729568-001
4	CBLG108-2000	n/a	Local Cable DB25F/D15M	1,5m	90236001-001
5	CBL3041		15M/25M Cable	3,6m	
6	CBL3102		15M/25F Cable	3,6m	
7	VCW3653		15M/25M Cable	15m	

Rep	Designation
A	Terminals : BQ303-BQ306
B	Terminals : BQ310-BQ3102-BQ3103-BQ3156
C	Printers : 922-923-924-924N-4/51-4/54-970-1070 PM721-PM1021 PM201-411-422

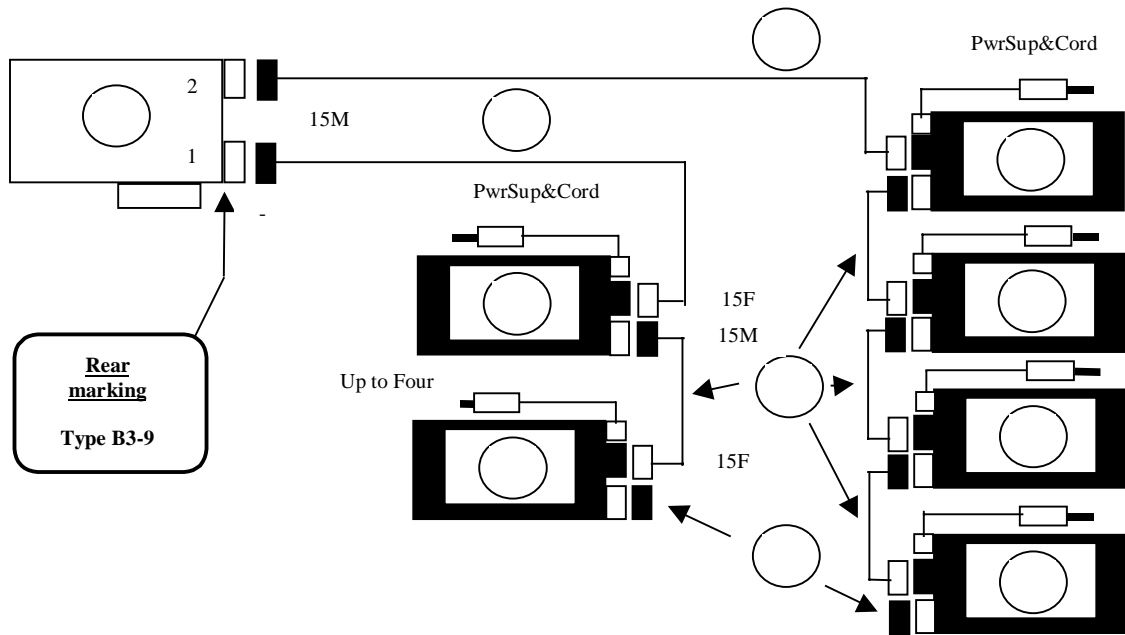
6.2.11 64 Ports Local RS422 to BCS2 with Modular Jack



Item	M.I./Rear Marking	FC	Designation	Length	FRU
1	DCCG089-0000 B3-C	n/a	64 Port Async Ctr RS432/422	n/a	76729566-001
2	n/a	n/a	44M/44M cable	3,0m	76000274
3	DCCG092-0000 B3-C	n/a	16 Port Concent RS422	n/a	767297568-001
4	CBLG109-2000	n/a	25F/RJ45M Cable	15m	
5	CBL3042	n/a	RJ45M/25M Cable	3,6m	
6	CBL3103	n/a	RJ45M/25F Cable	5m	
7	VCW3654	n/a	RJ45M/25M Cable	15m	
8	CBLG024-2000	n/a	RJ45M/25M Cable	15m	

Rep	Designation
A	Terminals : BQ303 – BQ306
B	Terminals : BQ310 – BQ3102 – BQ3103 – BQ3156
C	Printers : 922 – 923 – 924 - 924N - 4/51 - 4/54 970 - 1070 - PM721 - PM1021 411 – 825 – 956 – 815 – 1015 – 1025
D	Printers : PM422 – PM413

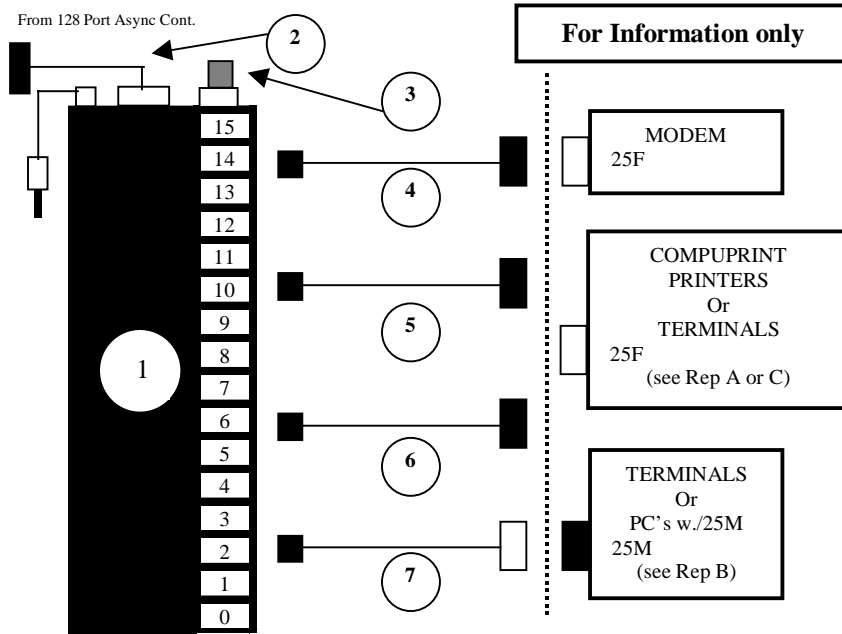
6.2.12 128 Ports/16 Ports Con Box Local/Remote RS232 (Model A)



Bus PCI supported by :
 ESCALA E, E230
 EPC400,EPC430,EPC2400
 S, T & T430 Series

Item	M.I./Rear Marking	FC	Designation	Length	FRU	Wrap Plug
1	DCCG090-0000 B3-9	n/a	128 Port Async Ctr	n/a	76729569-001	60000401
2	DCCG093-0000 B3-9	n/a	C/Con 16 Port Box	n/a	76729777-001	60000401
3	CBLG032-1700	n/a	15M/15F Cluster Cable	4,75m	62110180	n/a
4	CBLG033-10000	n/a	15M/15F Cluster cable	0,23m	62110009	n/a
5	n/a	n/a	Term. (1 per DCCGxxx)	n/a	60000388	n/a

6.2.13 128 Ports/16 Ports Con Box Local RS232 (Model A)

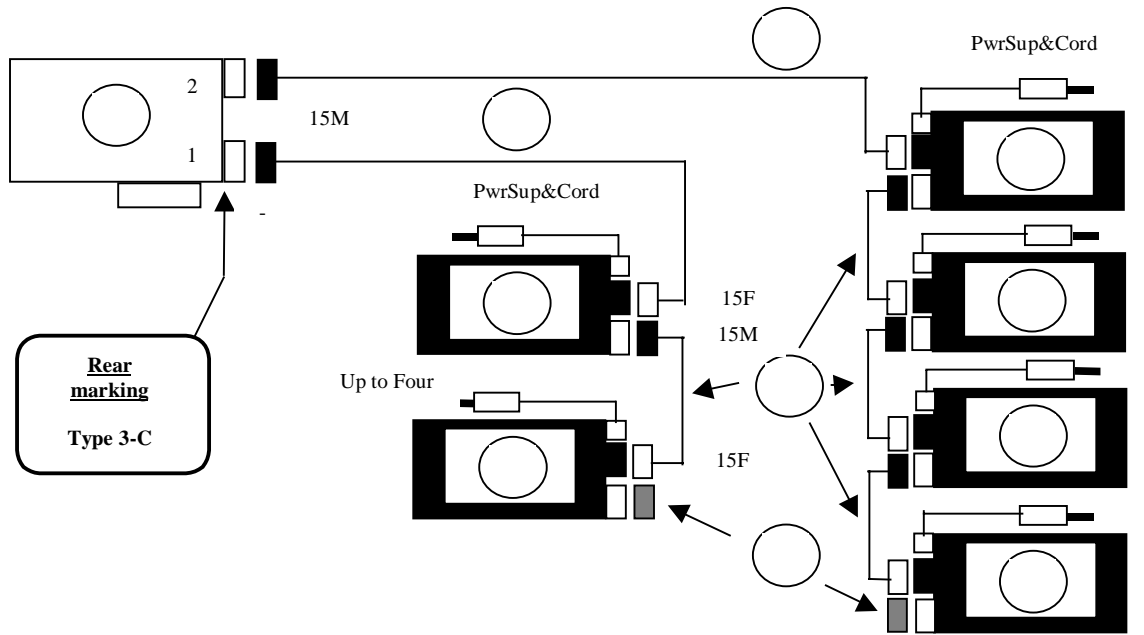


Bus PCI supported by :
ESCALA E, E230
EPC400,EPC430,EPC2400
S, T & T430 Series

Item	M.I./Rear Marking	F.C.	Designation	Length	FRU
1	DCCG093-0000 B3-9	n/a	16 C/Con Port Box	n/a	76729777-001
2	CBLG032-1700 CBLG033-1000	n/a	15M/15F Cluster cable 15M/15F Cluster cable	4,75m 0,23m	62110180 62110009
3	n/a	n/a	Term.(1 per DCCGxxx)	n/a	60000388
4	CKTG016-0100	n/a	4x RJ45 to 25DB Cables	0,6m	61020024
5	CBLG169-2000	n:a	RJ45/25M Cable	15m	90872001-001
6	CBLG165-1800 CBLG165-2000	n:a	RJ45/25M Cable	7,5m 15m	90870001-001 90870002-001
7	CBLG166-1800 CBLG166-2000	n/a	RJ45/25F Cable	7,5m 15m	90871001-001 90871002-001

Rep	Designation
A	Terminals : (BDS1-BDS3)-BQ303-BQ306-BQ3158
B	Terminals : BQ310-BQ3102-BQ3103 BQ3156
C	Printers : 922-923-924-924N-4/51-4/54-970-1070 PM201-PM411-PM422-PM721-PM1021 413-825-956-815-1025

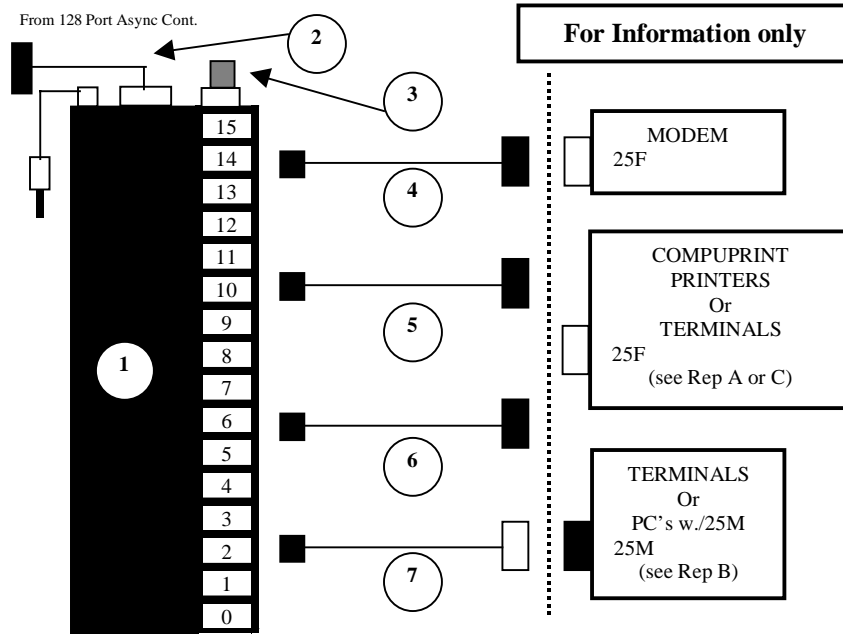
6.2.14 128 Ports/16 Ports Con Box RS232/422 (Model B)



**Bus PCI supported by :
ESCALA RL470/A &
EPC1200/A**

Item	M.I./Rear Marking	F.C.	Designation	Length	FRU	Wrap Plug
1	DCCG131-0000 3-C	2944	128 Port Async Ctr	n/a	93H6545	43G0938
2	DCCG132-0000 3-B DCCG133-0000 3-B	8137 8138	16 Port Cluster Box RS232 16 Port Cluster Box RS422	n/a n/a	93H6549 93H6563	43G0928 43G0928
3	CBLG032-1700 CBLG037-2000	8131 n/a	Cable 16 Port Clust Cbl Cable Async 8 Wires	4,6m 15m	43G0937 90003001-001	n/a
4	CBLG033-1000	8132	Cable 16 Port Clust Cbl	0,2m	43G0936	n/a
5	n/a	n/a	Term.(2 supplied with Ctr)	n/a	43G0926	n/a

6.2.15 128 Ports/16 Ports Con Box RS232 (Model B)

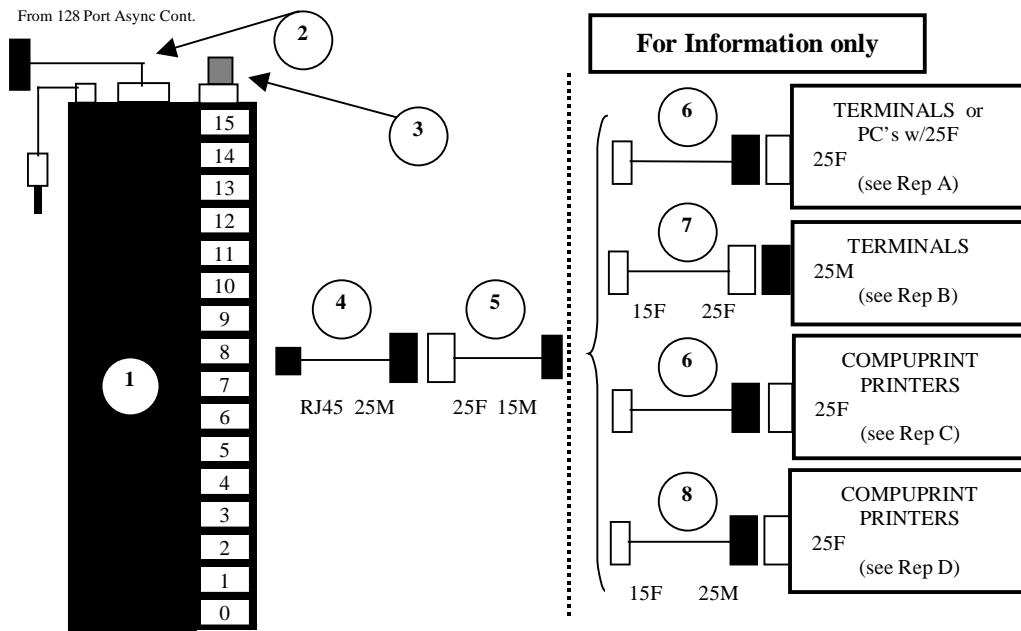


Bus PCI supported by :
ESCALA RL470/A &
EPC1200/A

Item	M.I./Rear Marking	F.C.	Designation	Length	FRU
1	DCCG131-0000 3-C	8137	16 C/Con Port Box	n/a	93H6549
2	CBLG032-1700	n/a	15M/15F Cluster cable	4,75m	62110180
	CBLG033-1000	n/a	15M/15F Cluster cable	0,23m	62110009
3	n/a	n/a	Term.(1 per DCCGxxx)	n/a	60000388
4	CKTG016-0100	n/a	4x RJ45 to 25DB Cables	0,6m	61020024
5	CBLG169-2000	n:a	RJ45/25M Cable	15m	90872001-001
6	CBLG165-1800	n:a	RJ45/25M Cable	7,5m	90870001-001
	CBLG165-2000	n:a	RJ45/25M Cable	15m	90870002-001
7	CBLG166-1800	n/a	RJ45/25F Cable	7,5m	90871001-001
	CBLG166-2000	n/a	RJ45/25F Cable	15m	90871002-001

Rep	Designation
A	Terminals : (BDS1-BDS3)-BQ303-BQ306-BQ3158
B	Terminals : BQ310-BQ3102-BQ3103 BQ3156
C	Printers : 922-923-924-924N-4/51-4/54-970-1070 PM201-PM411-PM422-PM721-PM1021 413-825-956-815-1025

6.2.16 128 Ports/16 Ports Con Box Local RS422 (Model B)

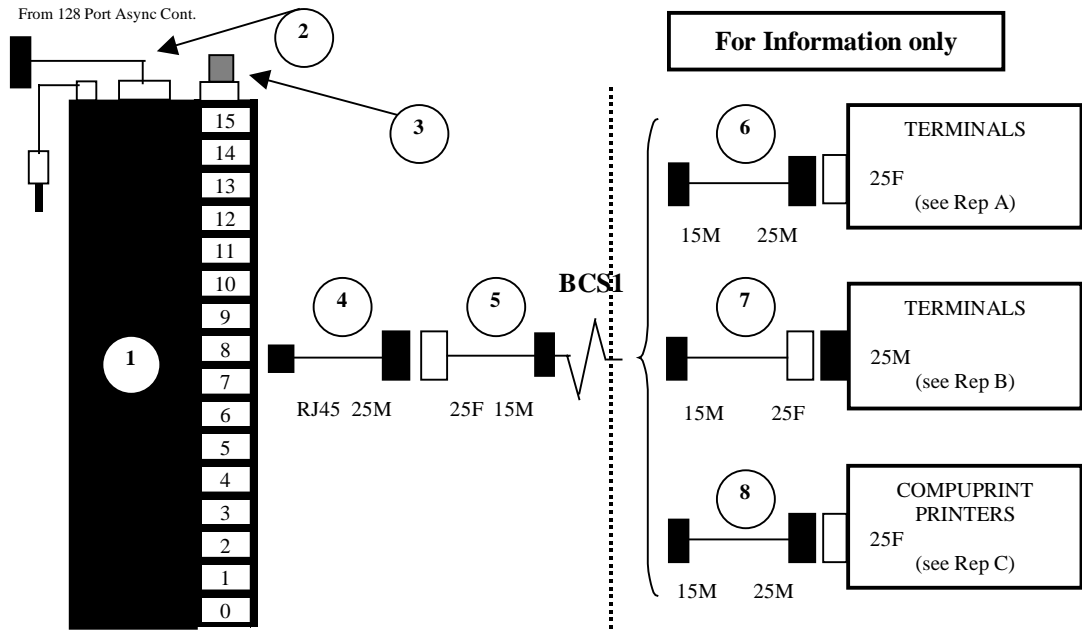


**Bus PCI supported by :
ESCALA RL470/A &
EPC1200/A**

Item	M.I./Rear Marking	F.C.	Designation	Length	FRU	Wrap Plug
1	DCCG132-0000 3-B	8138	16 C/Con port Box	n/a	93H6563	n/a
2	CBLG032-1700	n/a	15M/15F Cluster Cable	4,75m	62110180	n/a
	CBLG033-1000	n/a	15M/15F Cluster Cable	0,23m	62110009	n/a
3	n/a	n/a	Term.(1 per DCCGxxx)	n/a	43G0938	n/a
4	CBLG169-2000	n/a	RJ45/25M Cable	15m	90872001-001	n/a
5	CBLG107-1200	n/a	25F/15M Cable	1,5m	90235001-001	n/a
6	VCW2622	n/a	15F/25M Cable	3m		
7	VCW3661	n/a	15F/25F Cable	7,5m		
8	CBLG023-1800	n/a	15F/25M Cable	7,5m		

Rep	Designation
A	Terminals : (BDS1 – BDS3) - BQ303 – BQ306 – BQ3158
B	Terminals : BQ310 – BQ3102 – BQ3103 – BQ3156
C	Printers : 922 – 923 – 924 - 924N - 4/51 - 4/54 970 - 1070 - PM721 - PM1021 411 – 825 – 956 – 815 – 1015 – 1025
D	Printers : PM422 – PM413

6.2.17 128 Ports/16 Ports Con Box Local RS422 to BCS1 (Model B)

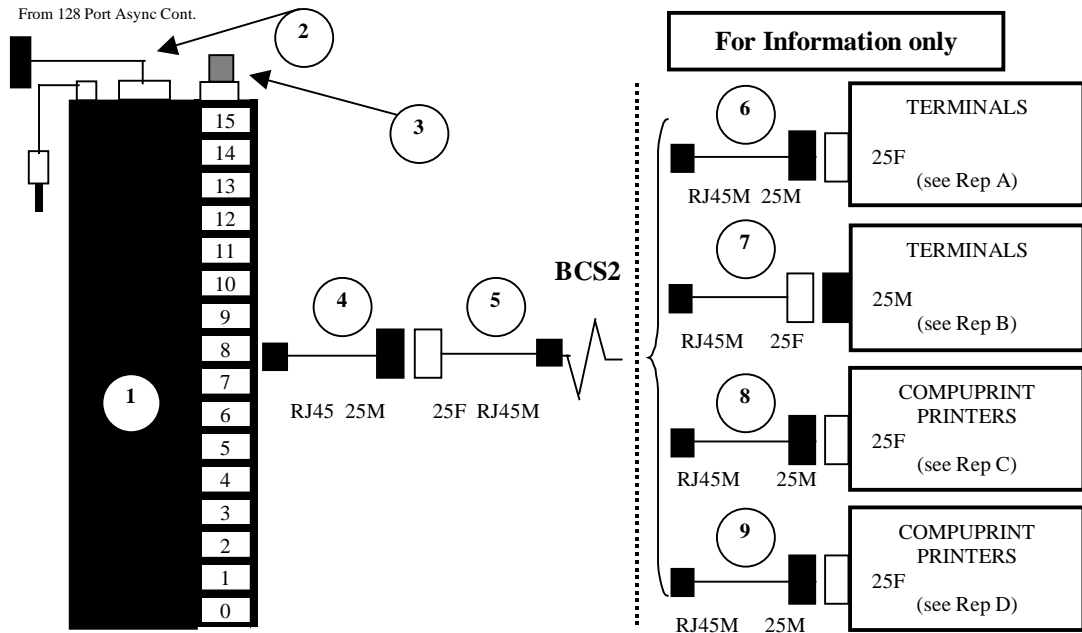


Bus PCI supported by :
ESCALA RL470/A &
EPC1200/A

Item	M.I./Rear Marking	F.C.	Designation	Length	FRU	Wrap Plug
1	DCCG132-0000 3-B	8138	16 C/Con port Box	n/a	93H6563	n/a
2	CBLG032-1700	n/a	15M/15F Cluster Cable	4,75m	62110180	n/a
	CBLG033-1000	n/a	15M/15F Cluster Cable	0,23m	62110009	n/a
3	n/a	n/a	Term.(1 per DCCGxxx)	n/a	43G0938	n/a
4	CBLG169-2000	n/a	RJ45/25M Cable	15m	90872001-001	n/a
5	CBLG108-2000	n/a	25F/15M Cable	1,5m	90236001-001	n/a
6	CBL3041	n/a	15M/25M Cable	3,6m		
7	CBL3102	n/a	15M/25F Cable	3,6m		
8	VCW3653	n/a	15M/25M Cable	15m		

Rep	Designation
A	Terminals : BQ303-BQ306
B	Terminals : BQ310-BQ3102-BQ3103-BQ3156
C	Printers : 922-923-924-924N-4/51-4/54-970-1070 PM721-PM1021 PM201-411-422

6.2.18 128 Ports/16 Ports Con Box Local RS422 to BCS2 (Model B)



Bus PCI supported by :
ESCALA RL470/A &
EPC1200/A

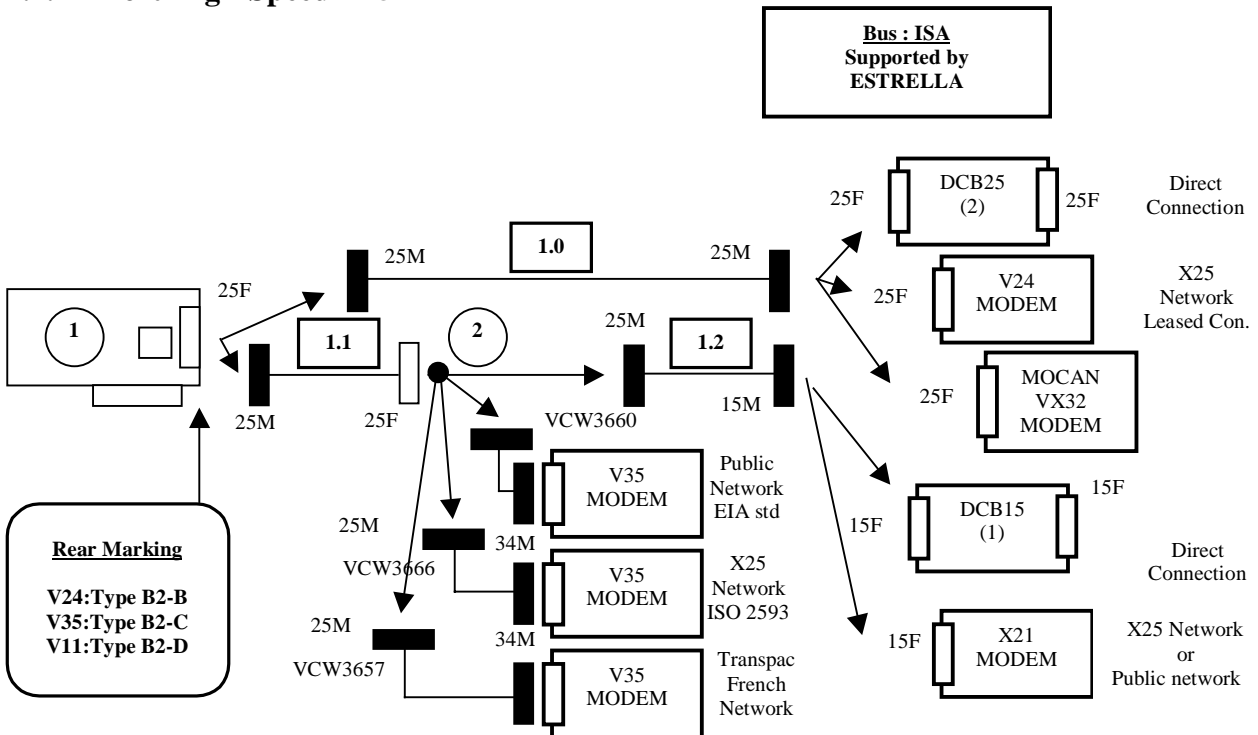
Item	M.I./Rear Marking	F.C.	Designation	Length	FRU	Wrap Plug
1	DCCG132-0000 3-B	8138	16 C/Con port Box	n/a	93H6563	n/a
2	CBLG032-1700	n/a	15M/15F Cluster Cable	4,75m	62110180	n/a
	CBLG033-1000	n/a	15M/15F Cluster Cable	0,23m	62110009	n/a
3	n/a	n/a	Term.(1 per DCCGxxx)	n/a	43G0938	n/a
4	CBLG169-2000	n/a	RJ45/25M Cable	15m	90872001-001	n/a
5	CBLG109-2000	n/a	25F/RJ45M Cable	15m	90237001-001	n/a
6	CBL3042	n/a	RJ45M/25M Cable	3,6m		
7	CBL3103	n/a	RJ45M/25F Cable	5m		
8	VCW3654	n/a	RJ45M/25M Cable	15m		
9	CBLG024-2000	n/a	RJ45M/25M Cable	15m		

Rep	Designation
A	Terminals : BQ303 – BQ306
B	Terminals : BQ310 – BQ3102 – BQ3103 – BQ3156
C	Printers : 922 – 923 – 924 - 924N - 4/51 - 4/54 970 - 1070 - PM721 - PM1021 411 – 825 – 956 – 815 – 1015 – 1025
D	Printers : PM422 – PM413

Chapter 7. WAN Adapters Connections

7.1 WAN - ISA Adapters Connections

7.1.1 1 Port High-Speed X25



Item	M.I./Rear Marking	Designation	Length	Spare	
1	DCCG063-0x00 B2-B	1 Port Hi-Speed V24	n/a	76729220-001	
	1.0	V24 Cable	12m	76958057-003	
	DCCG064-0000 B2-C	1 Port Hi-Speed V35	n/a	76729221-001	
	1.1	Cbl adapt V35	0,2m	90217001-001	
	DCCG065-0000 B2-D	1 Port Hi-Speed V11	n/a	76729222-001	
	1.1	Cbl adapt V11	0,2m	90216001-002	
	1.2	V11 Cable	10m	90166001-002	
	2	VCW3666	V35 Cable ISO 2593	10m	76958248-001
		VCW3660	V35 Cable EIA	10m	76958300-001
VCW3657		V35 Cable Transpac	10m	76958153-001	

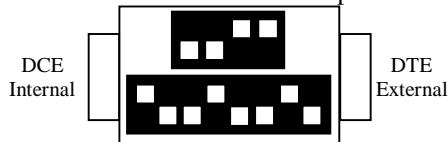
Note: Wrap Plug Kit 76706987-001 can be ordered to Logistics

Various plugs go at the end of the cables.

Note 1 : With DCB15, no switch has to be configured.

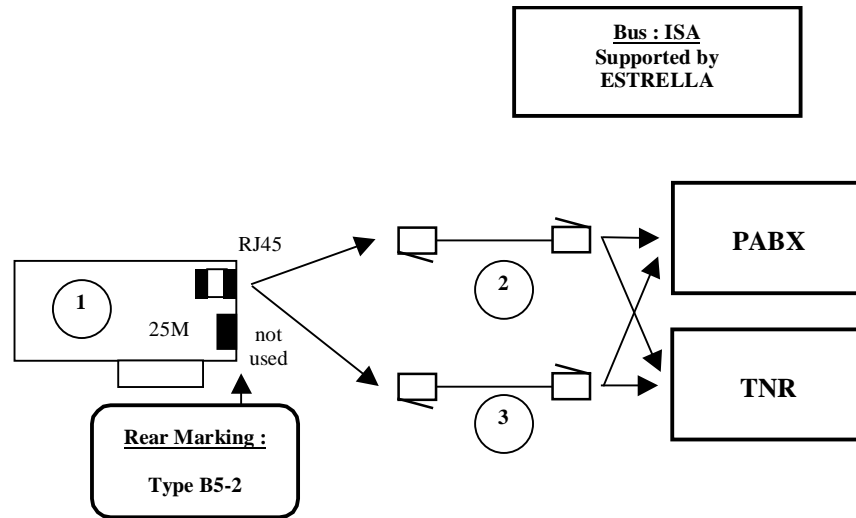
Clock must be generated each end of the link
(Internal clock).

Note 2 : With DCB25, only one side of the link must generate the clock. Switches must be set up as follow:



Note 3 : In V35 mode, this 1 Port Hi-Speed X25 adapter does not support internal clock. Thus the direct connection through DCB35 is forbidden.

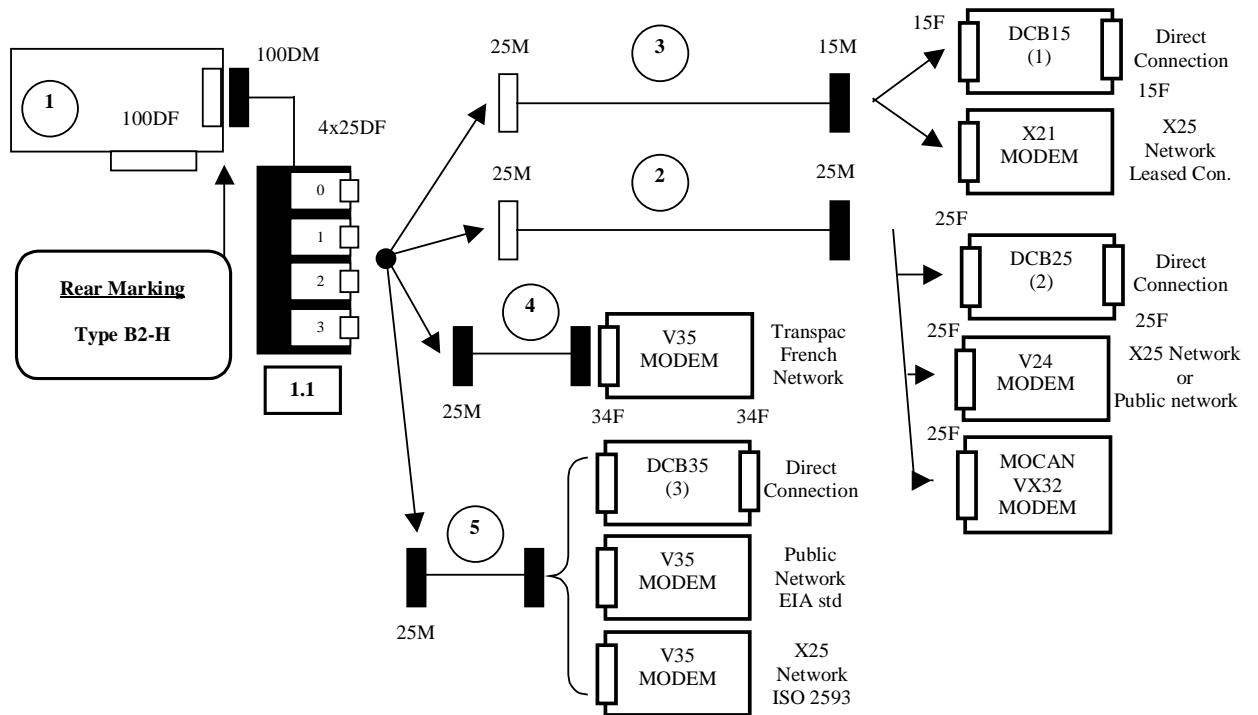
7.1.2 ISDN / X25 Adapter



Item	M.I.	FC	Designation	Length	FRU
1	DCCG080-0x00	n/a	ISDN/X25 BRI Adap.	n/a	76729503-001
2	5153	n/a	RJ45/RJ45 Cable	3,0m	76957930-508
3	5155	n/a	RJ45/RJ45 Cable	15,0m	Tbd

7.2 WAN - PCI Adapters Connections

7.2.1 4 Ports High-Speed X25



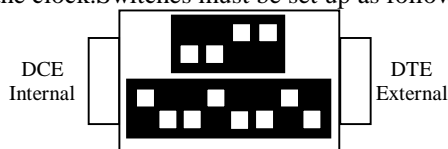
Bus PCI Supported by :
ESTRELLA (DCCG121-0000)
ESCALA E, E230 ,EPC400 ,EPC430 ,EPC1200/A
EPC2400 ,S ,T & T430 Series (DCCG098-0000)

Item	M.I.	FC	Designation	Length	FRU	Wrap Plug
1	DCCG098-0000 DCCG121-0000	n/a n/a	4 Port Sync Comm Adapt.	n/a n/a	76729583-001 90724002-001	90729002-001 90434004-001
1.1			4 Port Interface Cable	n/a		
2	CBLG173-1900	n/a	V24/V28 Cable	10m	90725001-001	90435003-001
3	CBLG174-1900	n/a	X24/V11 Cable	10m	90726001-001	90433002-001
4	CBLG175-1900	n/a	X24/V35 Cable	10m	90728001-001	90288002-001
5	CBLG176-1900	n/a	X24/V35 ISO Cable	10m	90727001-001	90437002-001

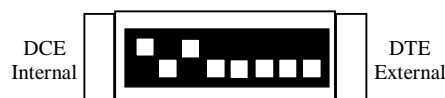
Note 1 : With DCB15, no switch has to be configured.

Clock must be generated each end of the link (Internal clock).

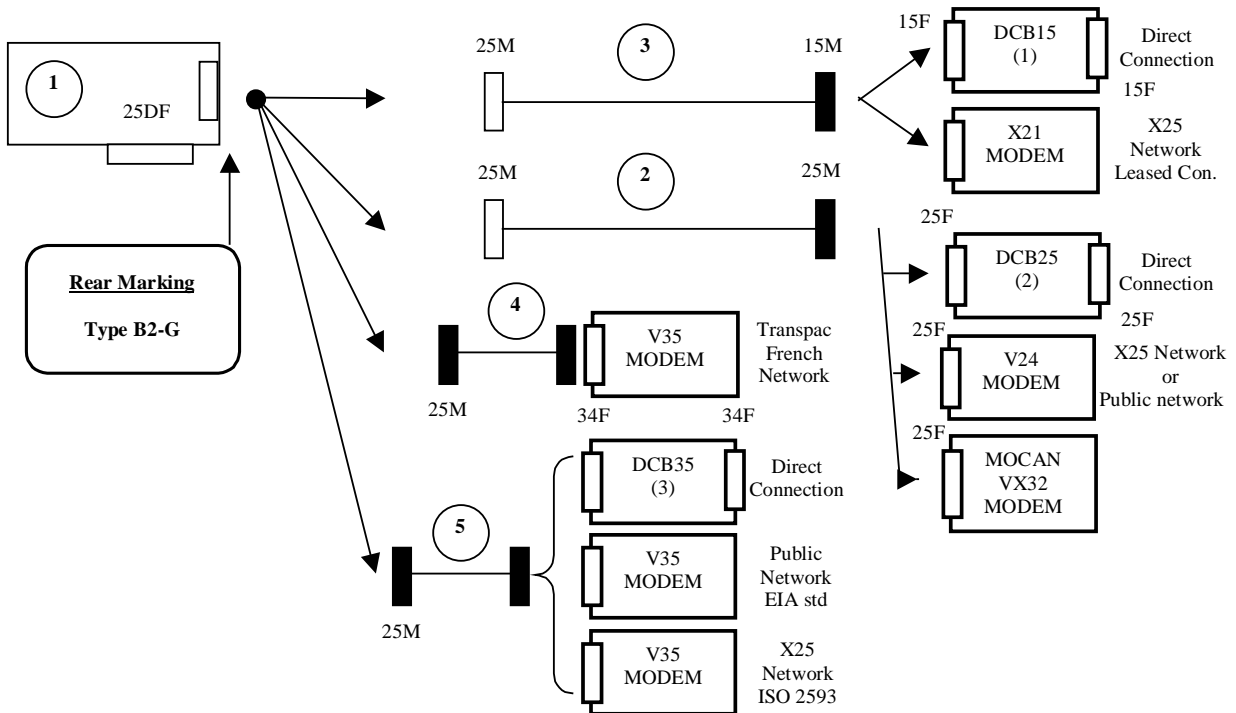
Note 2 : With DCB25, only one side of the link must generate the clock. Switches must be set up as follow:



Note 3 : In DCB35, clock must be generated on each side of the link. Switches must be set up as follow



7.2.2 1 Port High-Speed X25

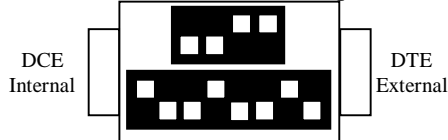


Bus PCI Supported by :
ESTRELLA (DCCG120-0000)
ESCALA E, E230 ,EPC400 ,EPC430 ,EPC1200/A
EPC2400 ,S ,T & T430 Series (DCCG097-0000)

Item	M.I.	FC	Designation	Length	FRU	Wrap Plug
1	DCCG097-0000 DCCG120-0000	n/a n/a	1 Port Hi-Speed X25	n/a n/a	76729582-002	90434002-001
2	CBLG173-1900	n/a	V24/V28 Cable	10m	90725001-001	90435003-001
3	CBLG174-1900	n/a	X24/V11 Cable	10m	90726001-001	90433002-001
4	CBLG175-1900	n/a	X24/V35 Cable	10m	90728001-001	90288002-001
5	CBLG176-1900	n/a	X24/V35 ISO Cable	10m	90727001-001	90437002-001

Note 1 : With DCB15, no switch has to be configured.

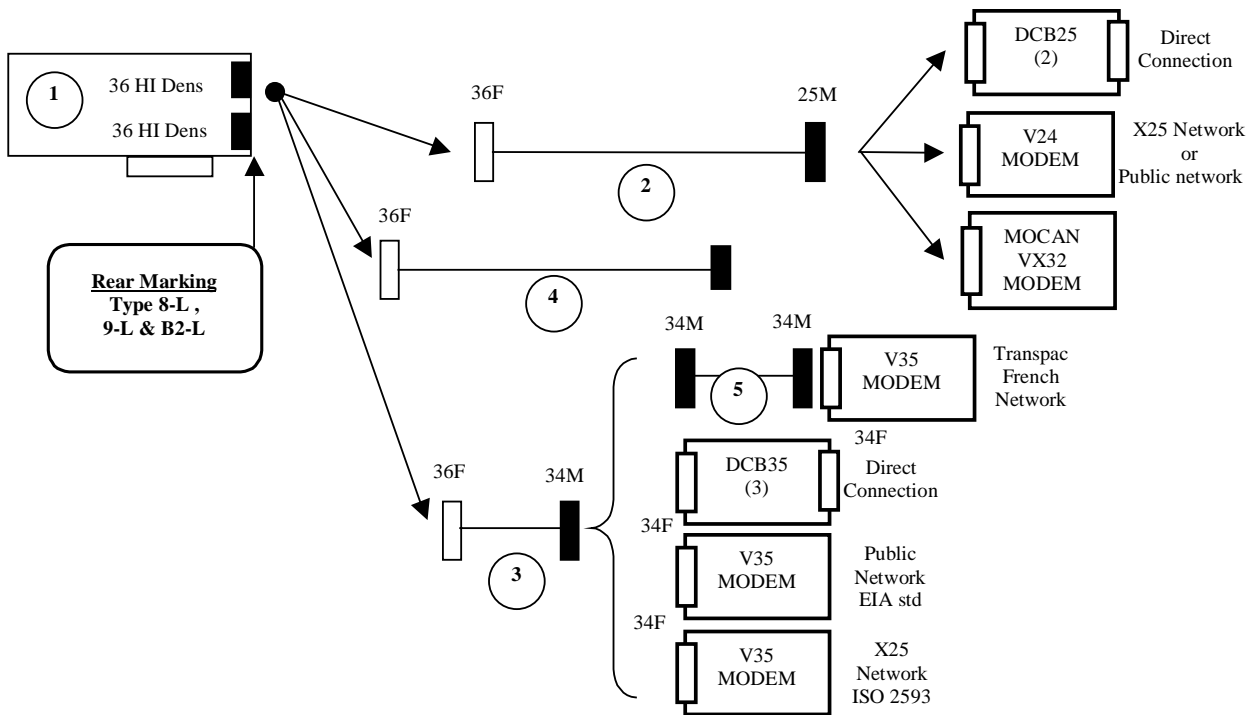
Clock must be generated each end of the link (Internal clock).
 Note 2 : With DCB25, only one side of the link must generate the clock. Switches must be set up as follow:



Note 3 : In DCB35, clock must be generated on each side of the link. Switches must be set up as follow:



7.2.3 2 Port Multiprotocol Adapter

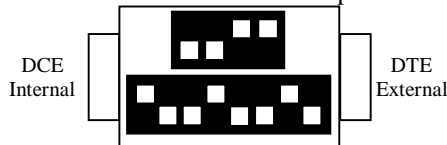


Bus PCI Supported by : ESCALA RL470 (8-L)
 ESCALA EPC1200/A ,EPC2400 , & RL470/A (9-L)
 ESCALA E ,E230 ,EPC400 ,EPC430 ,S ,T & T430 Series (B2-L)

Item	M.I./Rear Marking	FC	Designation	Length	FRU	Wrap Plug
1	DCCG129-0000 8-L or 9-L	2962	2 Port Hi-Speed X25	n/a	93H6086	93H5270
	DCCG140-0000 B2-L	2962	2 Port Hi-Speed X25	n/a	76730249--002	
2	CBLG187-1500	2951	V24/V28 Cable	3m	93H5263	33F8985
3	CBLG188-1500	2952	V35 Cable	3m	93H5264	71F0163
4	CBLG189-1500	2954	X21 Cable	3m	93H5267	40F9904
5	CKTG081-0000	2703	V35 Cable Pin Adapt.	n/a	1749352	n/a

Note 1 : With DCB15, no switch has to be configured.
 Clock must be generated each end of the link
 (Internal clock).

Note 2 : With DCB25, only one side of the link must generate the clock. Switches must be set up as follow:

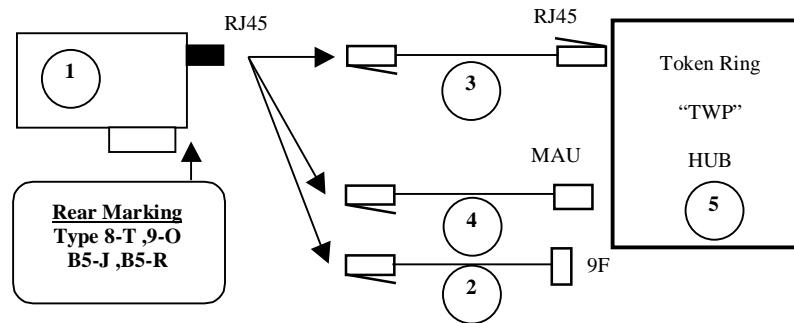


Note 3 : In DCB35, clock must be generated on each side of the link. Switches must be set up as follow:



Chapter 8. LAN Adapters Connections

8.1 Token Ring



Bus PCI
Supported by :
ESTRELLA

Item	M.I./Rear Marking	FC	Designation	Length	FRU
1 or	DCCG071-0000 8-T DCCG071-0100 8-T	2979	Token Ring Adapter PCI	n/a	76729917-002
2	n/a	n/a	RJ45 to DB9F Cable Included in DCCG071-0000	0,2m	60G1066
3	5153	n/a	RJ45 to RJ45 Cable	5,0m	76957930-508
4	5828	n/a	Filter MAU Token Ring	4,0m	n/a
5	5473	n/a	Token Ring "TWP" HUB	n/a	Tbd

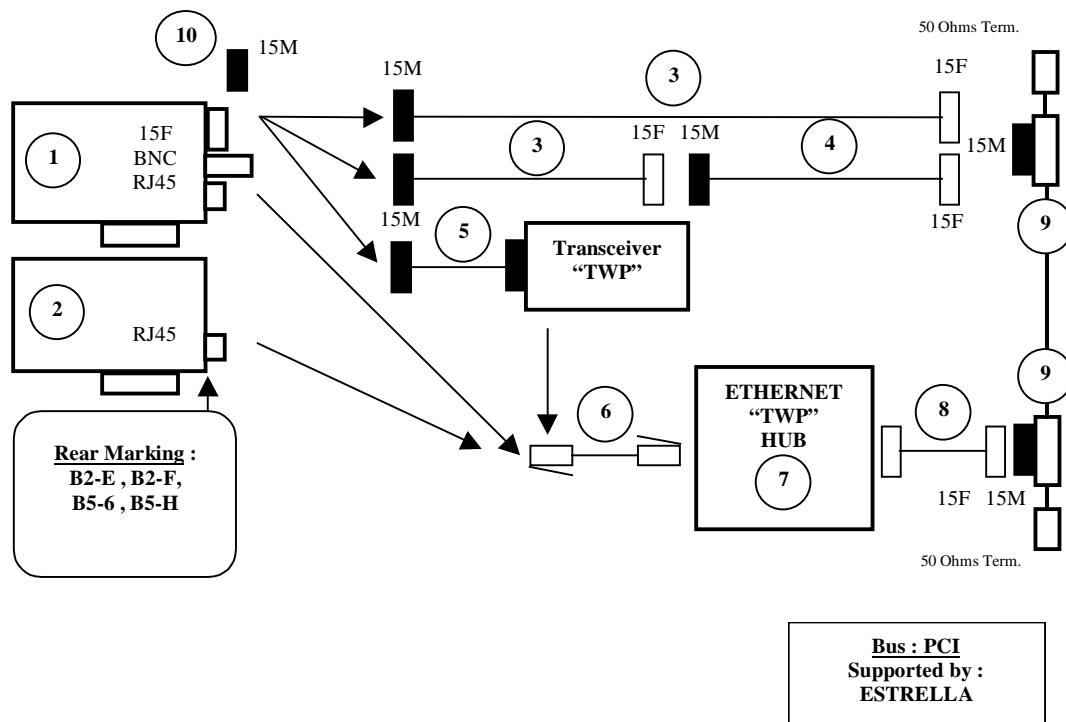
Bus PCI
Supported by :
ESCALA E ,EPC400 ,& T Series

Item	M.I./Rear Marking	FC	Designation	Length	FRU
1	DCCG104-0000 8-T	2979	Token Ring Adapter PCI	n/a	76729917-002
2	n/a	n/a	RJ45 to DB9F Cable Included in DCCG071-0000	0,2m	60F1066
3	CBLG179-1900	n/a	RJ45 to RJ45 Cable	10,0m	91094001-001
4	CBLG181-1900	n/a	Filter MAU Token Ring	4,0m	91095001-001
5	5473	n/a	Token Ring "TWP" HUB	n/a	Tbd

Bus PCI Supported by :
ESCALA RL470/A (DCCG126-0000)
ESCALA RL470/A & EPC1200/A (DCCG136-0000)
ESCALA E ,EPC400 ,EPC1200/A ,S & T Series (B5-J)
ESCALA E ,E230 ,EPC400 ,430 ,1200/A ,2400 ,RL ,S ,T & T Series (B5-R)

Item	8.1.1.1 M.I./Rear Marking	FC	Designation	Length	FRU
1 or or	DCCG126-0000 8-T DCCG136-0000 9-O DCCG135-0000 B5-J DCCG135-0000 B5-R	2979 2920 2920 4959	Token Ring Adapter PCI Token Ring Adapter PCI Token Ring Adapter PCI Token Ring Adapter PCI	n/a n/a n/a n/a	90H4054 94H1038 76730171 7670384
3	CBLG179-1900	n/a	RJ45 to RJ45 Cable	10,0m	91094001-001
4	CBLG181-1900	n/a	Filter MAU Token Ring	4,0m	91095001-001
5	5473	n/a	Token Ring "TWP" HUB	n/a	Tbd

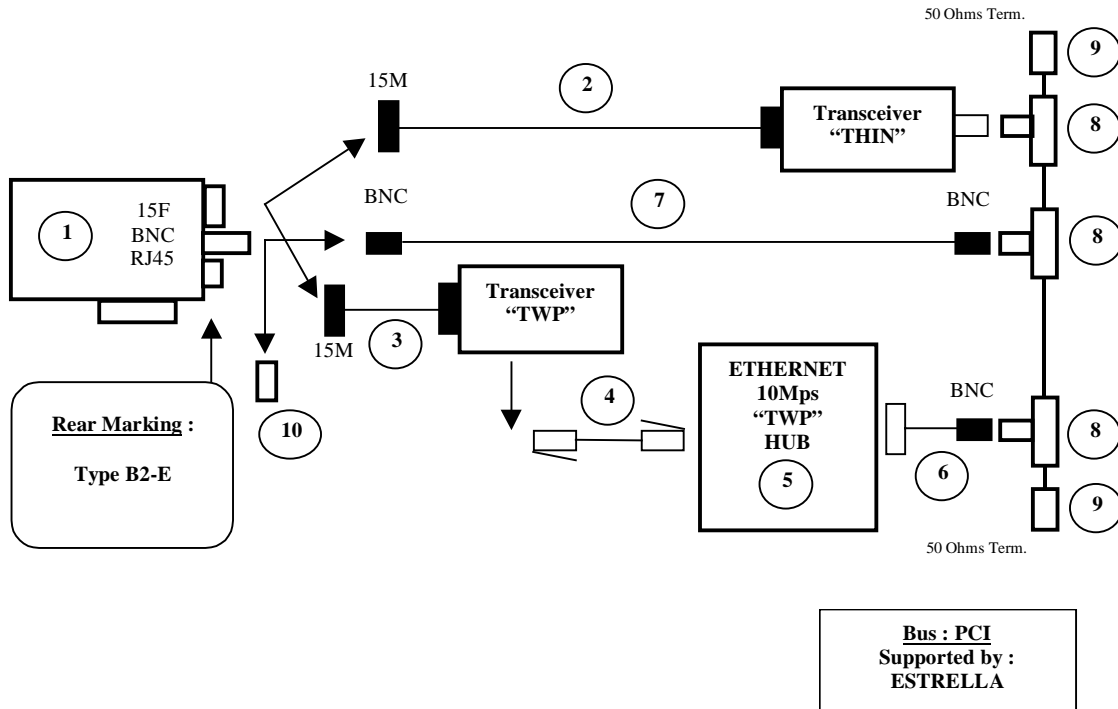
8.2 Ethernet "Thick" 10 Base 5



Item	M.I./Rear Marking	FC	Designation	Length	Spare
1	DCCG066-0000 B2-E or 0	n/a	Ethernet 10Mps Adapter	n/a	76730279-001
2	DCCG072-0000 B5-6 replaces B2-F DCCG072-0200 B5-H replaces B5-6 B5-6 replaces B2-F	n/a	Ethernet 10/100 Mps Adapter	n/a	76729367-001 76730150-001
3	VCW3630A/B		Ethernet Thick Cable	5,0m	76958087-001
4	VCW3631		Ethernet Thick Cable Opt	10,0m	76958113-001
5	CKTG011-0000		Eth 10BaseT Transceiver Eth 10BaseT Transc.Cbl	n/a 1,0m	02G7431 02G7434
6	5153	n/a	Cable RJ45/RJ45	5,0m	76957930-508
7	Tbd	n/a	Eth "TWP" HUB 10Mps	n/a	Tbd
8	Tbd	n/a	Cable HUB to Coaxial Thick	Tbd	Tbd
9	DCD7020	n/a	10Base5 Transceiver	Tbd	Tbd
10	n/a	n/a	Test Wrap Plug	n/a	71F1167

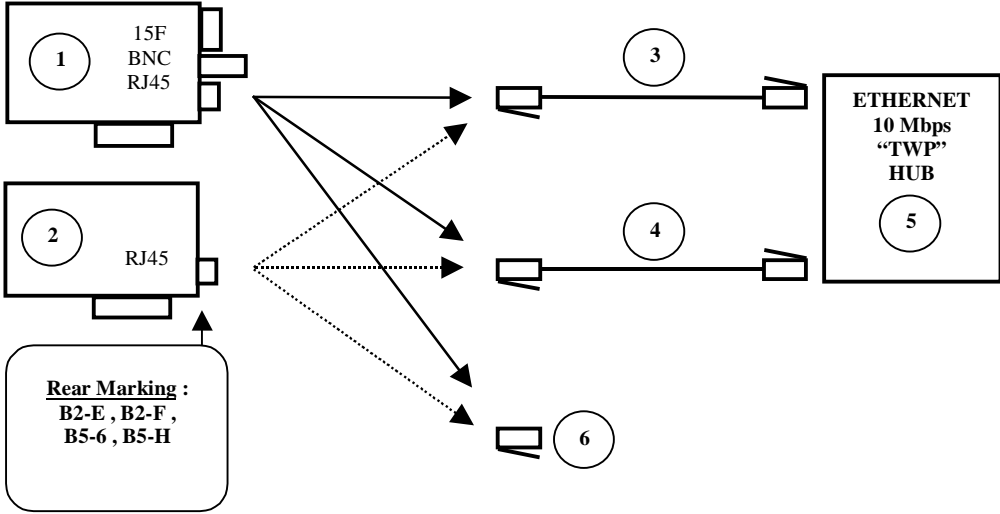
Note : Using these cables, The ETHERNET 10/100Mbps Adapter must operate at 10Mbps.

8.3 Ethernet "Thin" 10 Base 2



Item	M.I./Rear Marking	FC	Designation	Length	Spare
1	DCCG066-0000 B2-E or 0	n/a	Ethernet 10Mps Adapter	n/a	76730279-001
2	CKTG010-0000	4223	Eth 10BaseT Transceiver Eth 10BaseT Transc.Cbl	n/a 1,0m	02G7431 02G7434
3	CKTG011-0000	4224	Eth 10BaseT Transceiver Eth 10BaseT Transc.Cbl	n/a 1,0m	02G7431 02G7434
4	5153	n/a	Cable RJ45/RJ45	5,0m	76957930-508
5	Tbd	n/a	Eth "TWP" HUB 10Mps	n/a	Tbd
6	Tbd	n/a	Cable HUB to Coaxial Thin	Tbd	Tbd
7	Tbd5178 or 5179 or 5180 or 5181	n/a	Cable BNC to BNC	1m or 5m or 10m or 25m	Tbd
8	5431	n/a	10Base2 Transceiver	Tbd	Tbd
9	5432	n/a	BNC 50 Ohms Terminator	Tbd	Tbd
10	n/a	n/a	BNC 25 Ohms Test Term.	n/a	02G7433

8.4 Ethernet "Twisted Pair" 10 Base T



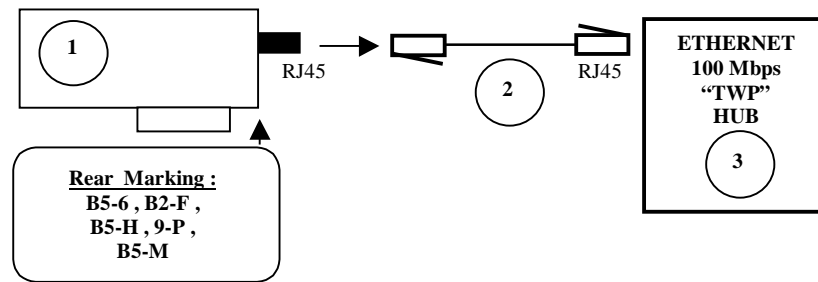
Bus : PCI
Supported by :
ESTRELLA

Item	M.I.	FC	Designation	Length	Spare
1	DCCG066-0000 B2-E or 0	n/a	Ethernet 10Mps Adapter	n/a	76730279-001
2	DCCG072-0000 B5-6 replaces B2-F DCCG072-0200 B5-H replaces B5-6 B5-6 replaces B2-F	n/a	Ethernet 10/100 Mps Adapter	n/a	76729367-001 76730150-001
3	5153	n/a	Cable RJ45/RJ45 BCS Class C (20Mhz)	5,0m	76957930-508
4	CBLR505-170E CBLR505-170E CBLR505-170E	n/a	Cable RJ45/RJ45 Category 5 (100Mhz)	5,0m 10,0m 15,0m	
5	Tbd	n/a	Eth"TW" HUB 10Mps	Tbd	Tbd
6	n/a	n/a	Test Wrap Plug	n/a	02G2380

Note 1 :Using 10 Mbps HUB, The ETHERNET 10/100MBPS Adapter must operate at 10Mbps

Note 2 :The Category Cable (item 4) is not needed, but is supported.

8.5 Ethernet "Twisted Pair" 100 Base TX



Bus PCI Supported by :
ESTRELLA

Item	8.5.1.1.1	M.I./Rear Marking	FC	Designation	Length	Spare
1	DCCG072-0000 DCCG072-0200	B5-6 replaces B2-F B5-H replaces B5-6 B5-6 replaces B2-F	n/a	Ethernet 10/100 Mps Adapter	n/a	76729367-001 76730150-001
2		CBLR505-170E CBLR505-170E CBLR505-170E	n/a	Cable RJ45/RJ45 Category 5 (100Mhz)	5,0m 10,0m 15,0m	
3		Tbd	n/a	Eth"TW" HUB 100Mps	Tbd	Tbd

Note : Using 100 Mbps HUB,ETHERNET Adapter must operate at 100 Mbps.

Bus PCI Supported by :
ESCALA E ,EPC400 ,S & T Series (B5-H,B5-6,B2-F)
ESCALA E & T Series (B5-H,B5-6)

Item	M.I./Rear Marking	FC	Designation	Length	Spare
1	DCCG085-0000 B5-H replaces B5-6 B5-6 replaces B2-F	n/a	Ethernet 10/100 Mps Adapter	n/a	76730150-001
2	CBLG179-1900	n/a	Cable RJ45/RJ45	10,0m	91094001-001
3	Tbd	n/a	Eth"TW" HUB 100Mps	Tbd	Tbd

Note : Using 100 Mbps HUB,ETHERNET Adapter must operate at 100 Mbps.

Bus PCI Supported by :
ESCALA RL470 (DCCG122-0000)
ESCALA RL470/A, EPC1200/A & EPC2400 (DCCG137-0000)

Item	M.I./Rear Marking	FC	Designation	Length	Spare
1	DCCG122-0000 9-P	2986	Ethernet 10/100 Mps Adapter	n/a	94H0385
or	DCCG137-0000 9-P	2968	Ethernet 10/100 Mps Adapter	n/a	94H0823
2	CBLG179-1900	n/a	Cable RJ45/RJ45	10,0m	91094001-001
3	Tbd	n/a	Eth"TW" HUB 100Mps	Tbd	Tbd

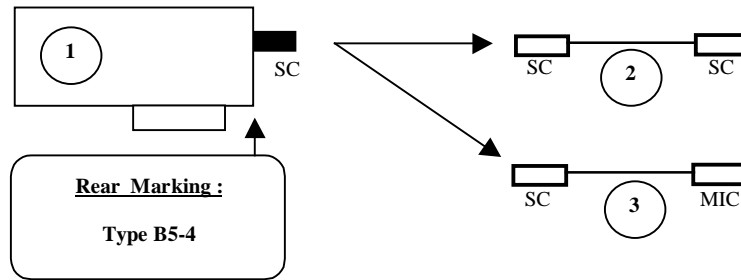
Note : Using 100 Mbps HUB,ETHERNET Adapter must operate at 100 Mbps.

Bus : PCI supported by:
ESCALA E, E230
EPC400 ,EPC430
S ,T & T430 Series

Item	M.I./Rear Marking	FC	Designation	Length	Spare
1	DCCG143-0000 B5-M	n/a	Ethernet 10/100 Mps Adapter	n/a	76730263-001
2	CBLG179-1900	n/a	Cable RJ45/RJ45	10,0m	91094001-001
3	Tbd	n/a	Eth"TW" HUB 100Mps	Tbd	Tbd

Note : Using 100 Mbps HUB,ETHERNET Adapter must operate at 100 Mbps.

8.6 FDDI Fiber Single Ring



Bus PCI Supported by :
ESTRELLA

Item	M.I./Rear Marking	FC	Designation	Length	Spare
1	DCCG082-0000 B5-4	n/a	FDDI Opt.Fiber Single Ring	n/a	76729561-001
2	CBLG170-2000	n/a	Cable SC-SC 15m	15,0m	90666215-001
3	CBLG171-2000	n/a	Cable SC-MIC 15m	15,0m	90022315-001

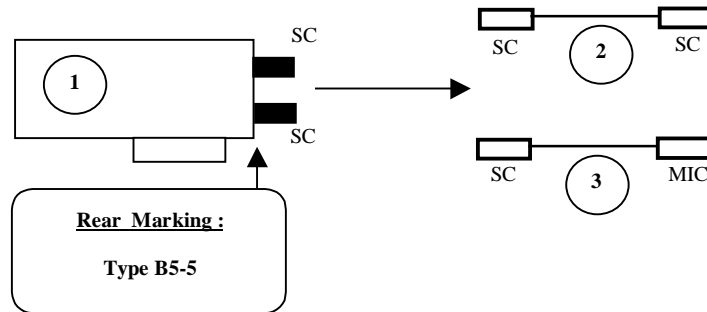
Bus PCI Supported by :
ESCALA E ,E230 ,EPC400 ,EPC430
S , T & T430 Series

Item	M.I./Rear Marking	FC	Designation	Length	Spare
1	DCCG102-0000 B5-4	n/a	FDDI Opt.Fiber Single Ring	n/a	76729561-001
2	CBLG170-2000	n/a	Cable SC-SC 15m	15,0m	90666215-001
	CBLG170-2200	n/a	Cable SC-SC 40m	40,0m	90666240-001
3	CBLG171-2000	n/a	Cable SC-MIC 15m	15,0m	90022315-001

Bus PCI Supported by :
ESCALA EPC1200/A ,EPC2400
RL470/A

Item	M.I./Rear Marking	FC	Designation	Length	Spare
1	DCCG123-0000 0	2741	FDDI Opt.Fiber Single Ring	n/a	73H3405
2	CBLG170-2000	n/a	Cable SC-SC 15m	15,0m	90666215-001
	CBLG170-2200	n/a	Cable SC-SC 40m	40,0m	90666240-001
3	CBLG171-2000	n/a	Cable SC-MIC 15m	15,0m	90022315-001

8.7 FDDI Fiber Dual Ring



Bus : PCI Supported by:
ESTRELLA

Item	M.I./Rear Marking	FC	Designation	Length	Spare
1	DCCG083-0000 B5-5	n/a	FDDI Opt.Fiber Dual Ring	n/a	76729562-001
2	CBLG170-2000	n/a	Cable SC-SC 15m	15,0m	90666215-001
3	CBLG171-2000	n/a	Cable SC-MIC 15m	15,0m	90022315-001

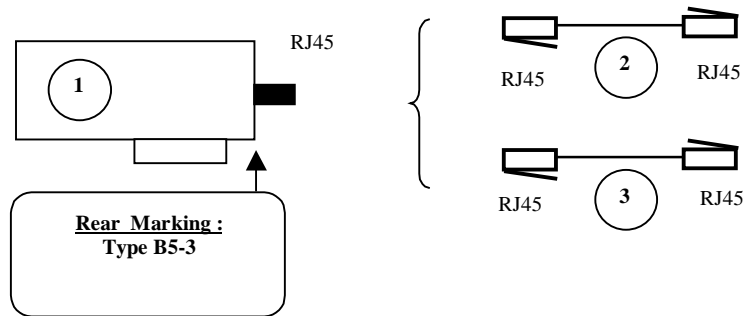
Bus : PCI Supported by :
ESCALA E ,E230 EPC400
EPC430 ,S T & T430 Series

Item	M.I./Rear Marking	FC	Designation	Length	Spare
1	DCCG103-0000 B5-5	n/a	FDDI Opt.Fiber Dual Ring	n/a	76729562-001
2	CBLG170-2000	n/a	Cable SC-SC 15m	15,0m	90666215-001
	CBLG170-2200	n/a	Cable SC-SC 40m	40,0m	90666240-001
3	CBLG171-2000	n/a	Cable SC-MIC 15m	15,0m	90022315-001

Bus PCI Supported by :
ESCALA EPC1200/A ,EPC2400
RL470/A

Item	M.I./Rear Marking	FC	Designation	Length	Spare
1	DCCG124-0000 0	2742	FDDI Opt.Fiber Dual Ring	n/a	73H3401
2	CBLG170-2000	n/a	Cable SC-SC 15m	15,0m	90666215-001
	CBLG170-2200	n/a	Cable SC-SC 40m	40,0m	90666240-001
3	CBLG171-2000	n/a	Cable SC-MIC 15m	15,0m	90022315-001

8.8 FDDI UTP Single Ring



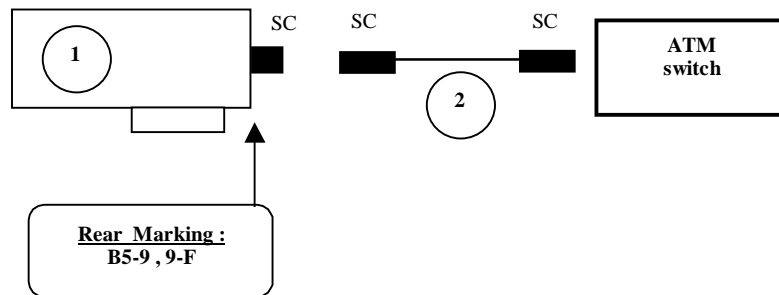
Bus PCI Supported by :
 ESCALA E ,E230 ,EPC400 ,EPC430
 S , T & T430 Series

Item	M.I./Rear Marking	FC	Designation	Length	Spare
1	DCCG084-0000 B5-3	n/a	FDDI UTP Single Ring	n/a	76729563-001
2	CBLG159-1900	n/a	UTP Cross Cable	10,0m	91092001-001
3	CBLG179-1900	n/a	RJ45/RJ45 Cable Cat5	10,0m	91094001-001

Bus PCI Supported by :
 ESCALA EPC1200/A
 EPC2400 , & RL470/A

Item	M.I./Rear Marking	FC	Designation	Length	Spare
1	DCCG125-0000 0	2743	FDDI UTP Single Ring	n/a	73H3413
2	CBLG159-1900	n/a	UTP Cross Cable	10,0m	91092001-001
3	CBLG179-1900	n/a	RJ45/RJ45 Cable Cat5	10,0m	91094001-001

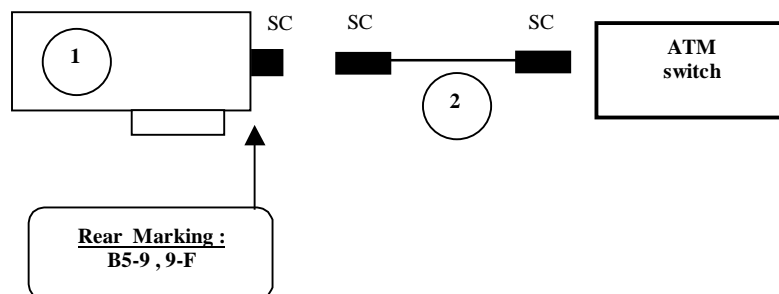
8.9 ATM 155 MMF Adapter



Bus : PCI Supported by :
ESCALA E ,E230 EPC400
EPC430 ,S ,T & T430 Series

Item	M.I./Rear Marking	FC	Designation	Length	Spare
1	DCCG099-0000 B5-9 replaces 9-F	n/a	ATM 155 Adapter	n/a	76730078-001
2	CBLG170-2000	n/a	Cable SC-SC 15m	15,0m	90666215-001
	CBLG170-2200	n/a	Cable SC-SC 40m	40,0m	90666240-001

8.10 ATM 155 MMF Adapter.

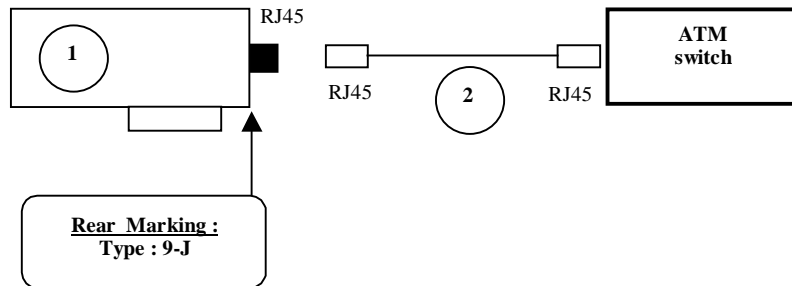


Note : Adapter B5-9 replaces 9-F for all systems except for ESCALA RL470/A

Bus PCI Supported by :
ESCALA EPC1200/A
EPC2400 , & RL470/A

Item	M.I./Rear Marking	FC	Designation	Length	Spare
1	DCCG127-0000 9-F	2988	ATM 155 Adapter	n/a	21H3890
2	CBLG170-2000	n/a	Cable SC-SC 15m	15,0m	90666215-001
	CBLG170-2200	n/a	Cable SC-SC 40m	40,0m	90666240-001

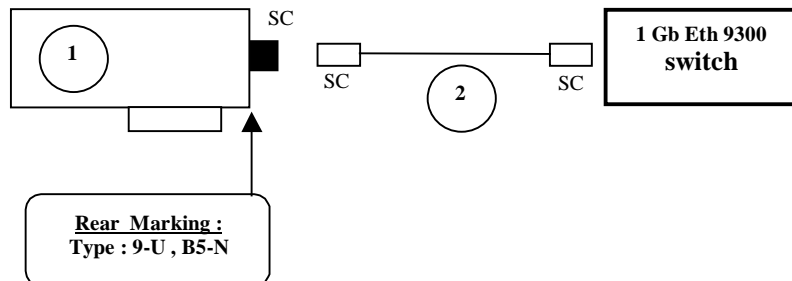
8.11 ATM 155 UTP Adapter



Bus PCI Supported by :
 ESCALA EPC1200/A
 EPC2400 , & RL470/A

Item	M.L.	FC	Designation	Length	Spare
1	DCCG128-0000	2963	ATM 155 Adapter	n/a	99G9547
2	n/a	n/a	RJ45/RJ45 Cable	n/a	n/a

8.12 1 Gigabit Ethernet-SX Adapter for LAN



Bus PCI Supported by :
 ESCALA E ,E230 ,EPC400 ,EPC430 ,EPC1200/A
 EPC2400 ,RL ,S ,T & T Series

Item	M.L./Rear Marking	FC	Designation	Length	Spare
1	DCCG144-0000 B5-N	n/a	1Gb Ethernet Adapter	n/a	76730329-001 07L8916
	DCCG142-0000 9-U	2969			
2	CBLG170-2000	n/a	Cable SC-SC 15m	15,0m	90666215-001
	CBLG170-2200	n/a	Cable SC-SC 40m	40,0m	90666240-001

Vos remarques sur ce document / Technical publication remark form

Titre / Title : Bull Cabling Guide for Multiple Bus Systems

N° Référence / Reference N° : 86 A1 70JX 03

Daté / Dated : January 2000

ERREURS DETECTEES / ERRORS IN PUBLICATION

AMELIORATIONS SUGGEREES / SUGGESTIONS FOR IMPROVEMENT TO PUBLICATION

Vos remarques et suggestions seront examinées attentivement.

Si vous désirez une réponse écrite, veuillez indiquer ci-après votre adresse postale complète.

Your comments will be promptly investigated by qualified technical personnel and action will be taken as required.

If you require a written reply, please furnish your complete mailing address below.

NOM / NAME : _____ Date : _____

SOCIETE / COMPANY : _____

ADRESSE / ADDRESS : _____

Remettez cet imprimé à un responsable BULL ou envoyez-le directement à :

Please give this technical publication remark form to your BULL representative or mail to:

**BULL ELECTRONICS ANGERS
CEDOC
34 Rue du Nid de Pie – BP 428
49004 ANGERS CEDEX 01
FRANCE**

Technical Publications Ordering Form

Bon de Commande de Documents Techniques

To order additional publications, please fill up a copy of this form and send it via mail to:

Pour commander des documents techniques, remplissez une copie de ce formulaire et envoyez-la à :

BULL ELECTRONICS ANGERS
CEDOC
ATTN / MME DUMOULIN
34 Rue du Nid de Pie – BP 428
49004 ANGERS CEDEX 01
FRANCE

Managers / Gestionnaires :
Mrs. / Mme : C. DUMOULIN +33 (0) 2 41 73 76 65
Mr. / M : L. CHERUBIN +33 (0) 2 41 73 63 96
FAX : +33 (0) 2 41 73 60 19
E-Mail / Courrier Electronique : srv.Cedoc@franp.bull.fr

Or visit our web site at: / Ou visitez notre site web à:

<http://www-frec.bull.com> (PUBLICATIONS, Technical Literature, Ordering Form)

CEDOC Reference # N° Référence CEDOC	Qty Qté	CEDOC Reference # N° Référence CEDOC	Qty Qté	CEDOC Reference # N° Référence CEDOC	Qty Qté
__ __ __ __ __ [__]		__ __ __ __ __ [__]		__ __ __ __ __ [__]	
__ __ __ __ __ [__]		__ __ __ __ __ [__]		__ __ __ __ __ [__]	
__ __ __ __ __ [__]		__ __ __ __ __ [__]		__ __ __ __ __ [__]	
__ __ __ __ __ [__]		__ __ __ __ __ [__]		__ __ __ __ __ [__]	
__ __ __ __ __ [__]		__ __ __ __ __ [__]		__ __ __ __ __ [__]	
__ __ __ __ __ [__]		__ __ __ __ __ [__]		__ __ __ __ __ [__]	
__ __ __ __ __ [__]		__ __ __ __ __ [__]		__ __ __ __ __ [__]	
__ __ __ __ __ [__]		__ __ __ __ __ [__]		__ __ __ __ __ [__]	

[__]: no revision number means latest revision / pas de numéro de révision signifie révision la plus récente

NOM / NAME : _____ Date : _____

SOCIETE / COMPANY : _____

ADRESSE / ADDRESS : _____

PHONE / TELEPHONE : _____ FAX : _____

E-MAIL : _____

For Bull Subsidiaries / Pour les Filiales Bull :

Identification: _____

For Bull Affiliated Customers / Pour les Clients Affiliés Bull :

Customer Code / Code Client : _____

For Bull Internal Customers / Pour les Clients Internes Bull :

Budgetary Section / Section Budgétaire : _____

For Others / Pour les Autres :

Please ask your Bull representative. / Merci de demander à votre contact Bull.

**BULL ELECTRONICS ANGERS
CEDOC
34 Rue du Nid de Pie – BP 428
49004 ANGERS CEDEX 01
FRANCE**

**ORDER REFERENCE
86 A1 70JX 03**

PLACE BAR CODE IN LOWER
LEFT CORNER



Utiliser les marques de découpe pour obtenir les étiquettes.
Use the cut marks to get the labels.



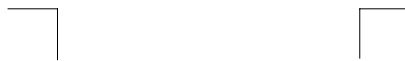
Cabling Guide
for Multiple Bus
Systems

86 A1 70JX 03



Cabling Guide
for Multiple Bus
Systems

86 A1 70JX 03



Cabling Guide
for Multiple Bus
Systems

86 A1 70JX 03

