

NovaScale R430 F2

Getting Started With Your
System
Guide de mise en route



NOVASCALE

NovaScale R430 F2

Getting Started With Your System
Guide de mise en route

Hardware/Matériel

November/Novembre 2009

BULL CEDOC
357 AVENUE PATTON
B.P.20845
49008 ANGERS CEDEX 01
FRANCE

REFERENCE
86 X1 61FD 00

The following copyright notice protects this book under Copyright laws which prohibit such actions as, but not limited to, copying, distributing, modifying, and making derivative works.

Copyright © Bull SAS 2009

Trademarks and Acknowledgements

Citrix and XenServer are trademarks of Citrix Systems, Inc. and/or more of its subsidiaries, and may be registered in the United States

Patent and Trademark Office and in other countries. Intel and Xeon are registered trademarks of Intel Corporation in the U.S. and other countries; Microsoft, Hyper-V, Windows, and Windows Server are either trademarks or registered trademarks of Microsoft Corporation in the United States and/or other countries. Red Hat and Enterprise Linux are registered trademarks of Red Hat, Inc. in the United States and other countries; SUSE is a registered trademark of Novell, Inc., in the United States and other countries. VMware is a registered trademark of VMware, Inc. in the United States and/or other jurisdictions.

Other trademarks and trade names may be used in this document to refer to either the entities claiming the marks and names or their products. Bull disclaims any proprietary interest in trademarks and trade names other than its own.

We acknowledge the rights of the proprietors of the trademarks mentioned in this manual.

All brand names and software and hardware product names are subject to trademark and/or patent protection.

Quoting of brand and product names is for information purposes only and does not represent trademark misuse.

The information in this document is subject to change without notice. Bull will not be liable for errors contained herein, or for incidental or consequential damages in connection with the use of this material.

Getting Started With Your System

Notes, Cautions, and Warnings




NOTE: A NOTE indicates important information that helps you make better use of your computer.



WARNING: A WARNING indicates a potential for property damage, personal injury, or death.

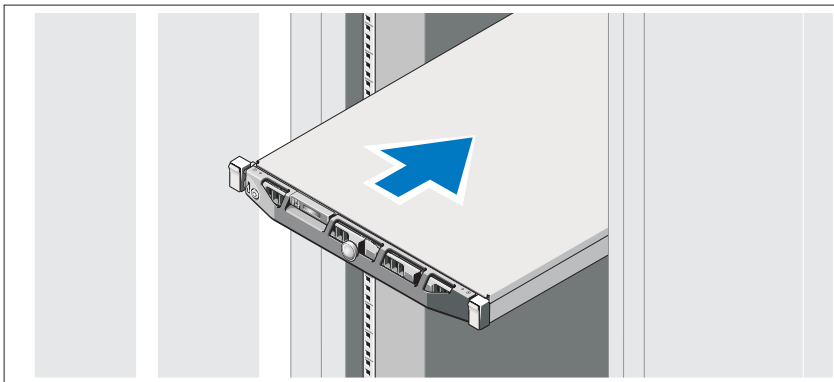
Installation and Configuration

 **WARNING:** Before performing the following procedure, review the safety instructions that came with the system.

Unpacking the System

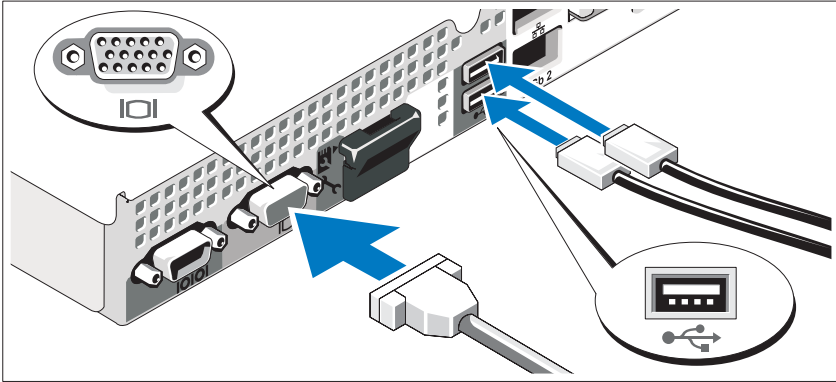
Unpack your system and identify each item.

Installing the Rails and System in a Rack



Assemble the rails and install the system in the rack following the safety instructions and the rack installation instructions provided with your system.

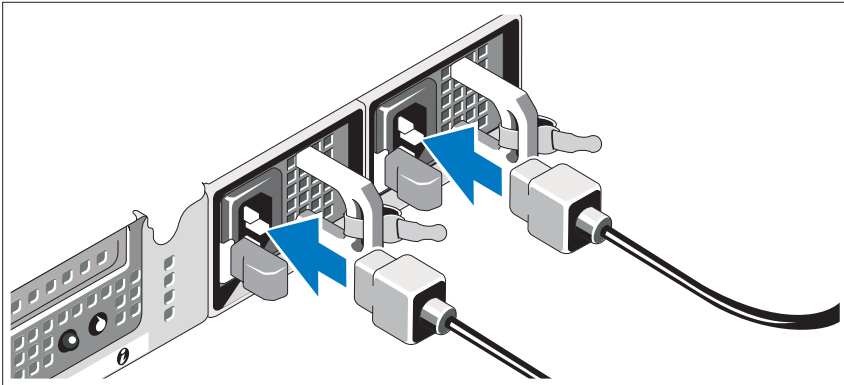
Optional – Connecting the Keyboard, Mouse, and Monitor



Connect the keyboard, mouse, and monitor (optional).

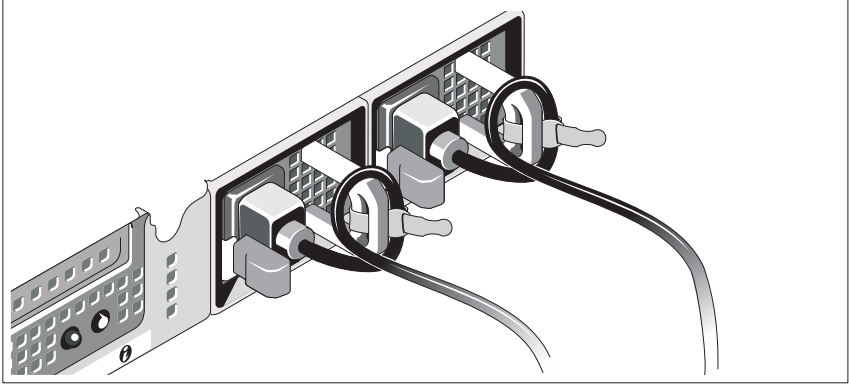
The connectors on the back of your system have icons indicating which cable to plug into each connector. Be sure to tighten the screws (if any) on the monitor's cable connector.

Connecting the Power Cables



Connect the system's power cable(s) to the system and, if a monitor is used, connect the monitor's power cable to the monitor.

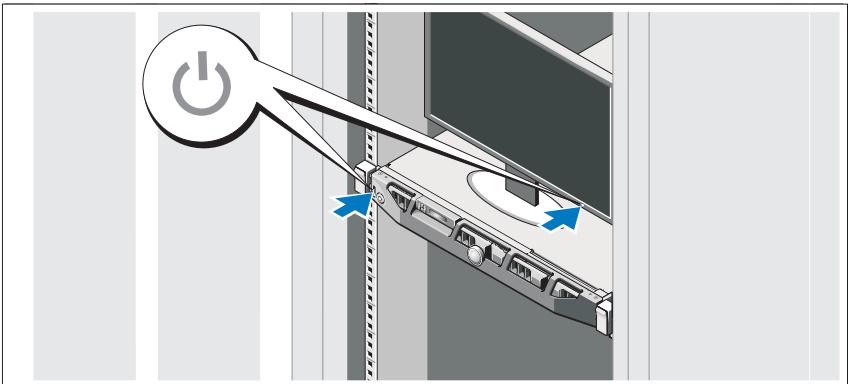
Installing the Power Cord Retention Bracket



Attach the power cord retention bracket on the right bend of the power supply handle. Bend the system power cable into a loop as shown in the illustration and attach to the bracket's cable clasp.

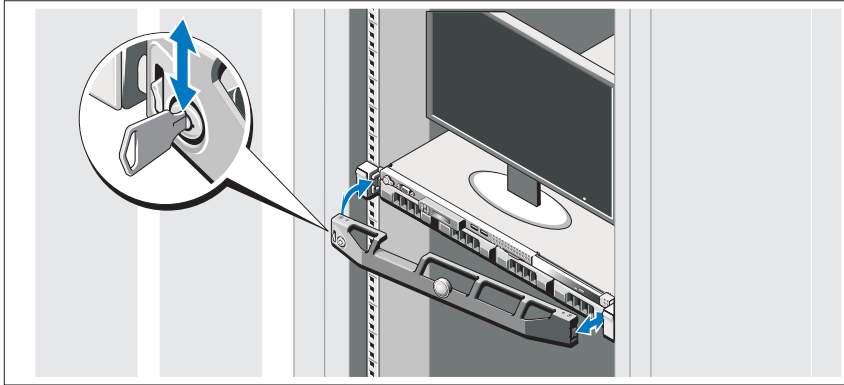
Plug the other end of the power cable(s) into a grounded electrical outlet or a separate power source such as an uninterruptible power supply (UPS) or a power distribution unit (PDU).

Turning On the System



Press the power button on the system and the monitor. The power indicators should light.

Installing the Optional Bezel





Install the bezel (optional).

Operating System Installation

The NovaScale R430 F2 offers an embedded Configuration utility: the Unified Server Configurator - Lifecycle Controller Enabled (USC-LCE), which includes an OS Deployment Wizard that assists you with the installation of the Operating System.

Refer to the technical characteristics of the server on <http://www.bull.com/novascale> to get the list of supported operating systems.

 **NOTE:** The list of operating systems offered by the USC may be larger than the list of the supported Operating Systems.

 **NOTE:** for the installation of a supported Operating System not listed in the USC, see <http://support.bull.com>.

Residing on an embedded flash memory card, USC-LCE is similar to a BIOS utility in that it can be started during the boot sequence and can function independently of an installed operating system.

USC-LCE provides drivers that may be required for operating system installation, depending on which operating system you are installing. The OS Deployment wizard extracts these drivers and copies them to a staging directory. These files are deleted after an 18-hour period or when you press the <F10> key to either cancel operating system installation or re-enter USC after rebooting.



NOTE: During the 18-hour period when the drivers are extracted to the temporary location, you cannot update USC, drivers, or diagnostics using a Driver Update Package after the operating system is installed, or the Driver Update Package will display a message that another session is open.

For supported Microsoft® Windows® operating systems, these extracted drivers are installed during the operating system installation. For supported Linux operating systems, you must manually install the extracted drivers after the operating system installation is complete.

Before installing the operating system, the OS Deployment wizard detects if a boot device is available. A boot device is a physical disk, virtual disk, or other storage device on which the operating system can be installed.

To begin installation

- 1 Connect the keyboard, monitor, mouse, and any additional peripherals to your system.
- 2 Turn on the system and the attached peripherals.
- 3 Press **<F10>** in the POST to start the System Services.

NOTE: The Initializing UEFI. Please wait... and the Entering System Services...Starting Unified Server Configurator messages are displayed.

- 4 Click **OS Deployment** in the left pane.
- 5 Click **Deploy OS** in the right pane.

NOTE: If your system has a RAID controller, you have the option of launching the RAID Configuration wizard and configuring a virtual disk as the boot device.

NOTE: If your system does not have a RAID controller, the OS Deployment wizard bypasses the RAID configuration option and goes directly to "Select an Operating System". If your system does not have a RAID controller or if you choose to bypass the optional RAID configuration, the OS Deployment wizard installs the operating system to a default location, which is typically the disk identified as Disk 0 in the BIOS utility.

- 6 Select the operating system you want to install, and click **Next**.

- 7 USC or USC - LCE extracts the drivers required by the operating system you selected. The drivers are extracted to an internal USB drive named OEMDRV.

NOTE: For Red Hat® Enterprise Linux® 4.x server and Red Hat Enterprise Linux 5.x server, the drivers are extracted to OEMDRV under /oemdrv/*.rpm.

For SUSE® Linux Enterprise Server 10 SP2, the drivers are extracted under /linux/suse/x86_64-sles10/install/*.rpm.

NOTE: The process for extracting the drivers may take several minutes.

NOTE: All drivers copied by the OS Deployment wizard are removed after 18 hours. You must complete the operating system installation within 18 hours for the copied drivers to be available. To remove the drivers before the 18-hour period is over, reboot the system and press the <F10> key to re-enter USC.

- 8 After the drivers are extracted, USC or USC - LCE prompts you to insert the operating system installation media.

NOTE: When installing the Microsoft Windows operating system, the extracted drivers are automatically installed during the operating system installation. When installing the Linux operating system, the operating system installation uses native drivers. After the Linux installation is complete, you need to manually install the drivers extracted by USC. See "Update Drivers for Linux Systems Only".

- 9 Insert the operating system installation media when prompted and click **Next**.

NOTE: USC-LCE supports internal SATA optical drives, USB optical drives, and virtual media devices. If the installation media is corrupt or not readable, then USC may be unable to detect the presence of a supported optical drive. In this case, you may receive an error message stating that no optical drive is available. If the media is not valid (if it is the incorrect CD or DVD, for example), a message displays requesting that you insert the correct installation media.

- 10 Click Finish to reboot the system and continue with the operating system installation. Upon reboot, the system boots to the operating system installation media.

NOTE: When the system reboots after you click Finish, you may be prompted to press a key before booting to the operating system installation media. If you do not press a key, the system boots to the hard drive and not the operating system installation media.

NOTE: : In the event that the operating system installation is interrupted and the system reboots before installation completes, you may be prompted to press a key in order to boot from the operating system installation media.

NOTE: You can cancel the operating system installation by pressing the <F10> key. Pressing the <F10> key at any point during the installation process or while rebooting causes any drivers provided by the OS Deployment wizard to be removed.

NOTE: Microsoft Windows Server 2008 UEFI operating system installations are not currently supported.

CAUTION: *During Red Hat 5.x installation, you will receive a warning that a read-only file system was detected; Linux has detected the temporary storage area of USC that stores updates for your system. Click OK, and a second warning will appear indicating that the read-only file system has a loop partition layout and that it needs to be formatted. Click the Ignore drive button. You may see both warnings several times during the course of Red Hat 5.x installation.*

CAUTION: *During the beginning of Windows Server® 2003 installation, the installer will automatically detect and possibly assign the default drive letter C to the USC temporary storage device OEMDRV. Creating a new Windows-bootable system partition on the hard drive will assign the partition to a drive letter other than C; this is standard Windows installer behaviour. To assign the new partition to C, see "Assign a Windows-Bootable System Partition to the C: Drive".*

Update Drivers for Linux Systems Only

On the following operating systems, it is advised to update your system with the extracted drivers after installation. The drivers are extracted to a drive (or device) named OEMDRV.

- Red Hat Enterprise Linux 4.7 server - The location of the drivers on the OEMDRV drive after installation is: **/oemdrv/*.rpm**
- Red Hat Enterprise Linux 5.2 server - The location of the drivers on the OEMDRV drive after installation is: **/oemdrv/*.rpm**
- SUSE Linux Enterprise Server 10 with Service Pack 2 - The location of the drivers on the OEMDRV drive after installation is: **/linux/suse/x86_64-sles10/install/*.rpm**

Use the following command to install the drivers: **rpm -Uvh *.rpm**.



NOTE: If the command **rpm -Uvh *.rpm** fails to install a driver because a newly version of the DKMS package is needed, see the <http://support.bull.com> website to download the latest version of the DKMS package, then:

- install this DKMS package by launching the command:
rpm -Uvh dkms <version-release>.noarch.rpm
- install the Linux drivers by launching the command:
find ./* -not -name dkms* -exec rpm -Uvh {} \;

Kickstart Installation for the Linux Operating System

If you are using a kickstart installation for the Linux operating system, provide the following information in the post-installation script:

- Command to mount the USB device containing the operating system drivers labeled OEMDRV.
For example:
`mkdir OEMDRV`
`mount /dev/sdc1 /mnt/OEMDRV`
- Path to the operating system drivers on the OEMDRV drive:
For Red Hat Enterprise Linux: **/oemdrv/*.rpm**
For SUSE Linux Enterprise Server: **/linux/suse/x86_64-sles10/install/*.rpm**
- Command to install the drivers: **rpm -Uvh *.rpm**

Assign a Windows-Bootable System Partition to the C: Drive

After you have completed the USC or USC - LCE portion of Windows Server 2003 installation, your server will reboot and begin the text-mode portion of the installation. During this phase, you may need to perform the following steps to ensure Windows installs to your C: drive.



NOTE: Following these instructions after Windows Server 2003 setup presents you with a list of existing drive partitions and/or unpartitioned space available on your computer.

- 1 Select the unpartitioned space, and then press <c> to create a hard-disk partition. Follow the on-screen instructions to create a partition.
NOTE: The partition may not be enumerated as a C: drive.
- 2 Select the newly-created partition, and then press <d> to delete the partition. Follow the on-screen instructions to delete the partition.

- 3 Select the unpartitioned space again, and then press <c> to create a primary hard-disk partition.

NOTE: The partition will now be enumerated as C: drive.

- 4 Follow the on-screen instructions to create a partition. Windows will now install on the C: drive.

For more information on assigning the Windows-bootable system partition to the C: drive, see <http://support.microsoft.com/kb/896536>.

Other Information You May Need



WARNING: See the safety and regulatory information that shipped with your system. Warranty information may be included within this document or as a separate document.

- The rack documentation included with your rack solution describes how to install your system into a rack.
- The *Hardware Owner's Manual* provides information about system features and describes how to troubleshoot the system and install or replace system components. This document is available online at <http://support.bull.com/documentation>.
- Any media that ships with your system that provides documentation and tools for configuring and managing your system, system management software, system updates, and system components that you purchased with your system.



NOTE: Always check for updates on <http://support.bull.com> and read the updates first because they often supersede information in other documents.

Obtaining Technical Assistance

If you do not understand a procedure in this guide or if the system does not perform as expected, see <http://support.bull.com/documentation> for further documentation, or contact your support representative; the phone directory is at <http://support.bull.com>.

Technical Specifications

Processor	
Processor type	Intel® Xeon® processor 5500 series
Expansion Bus	
Bus type	PCI Express Generation 2
Expansion slots	One full-height, half-length x16 link
Memory	
Architecture	1066 or 1333 MHz DDR3 registered or unbuffered Error Correcting Code (ECC) DIMMs.
Memory module sockets	Eight 240-pin
Memory module capacities	1 GB, 2 GB, 4 GB, or 8 GB
Minimum RAM	1 GB (one processor) or 2 GB (two processors)
Maximum RAM	32 GB (one processor) or 64 GB (two processors)
Drives	
Hard drives	Up to four 3.5-inch, cabled or hot-swap SAS or SATA internal drives or Up to four 2.5-inch, hot-swap SAS, SATA, or SSD internal drives
Diskette drive	Optional external USB 1.44-MB
Optical drive	One optional internal slimline SATA DVD-ROM or DVD+/-RW drive NOTE: DVD devices are data only. Optional external USB DVD-ROM
Connectors	

Back

Connectors *(continued)*

NIC	Two RJ-45 (for integrated 1-GB NICs)
Serial	9-pin, DTE, 16550-compatible
USB	Two 4-pin, USB 2.0-compliant
Video	15-pin VGA

Front

Video	15-pin VGA
USB	Two 4-pin, USB 2.0-compliant

Internal

USB	Two 4-pin, USB 2.0-compliant
-----	------------------------------

Video

Video type	Matrox G200, integrated in Winbond WPCM450
Video memory	8 MB

Power**AC power supply
(per power supply)**

Wattage	480W (non-redundant power supply) 500W (redundant power supply)
Voltage	100-240 VAC, 50/60 Hz, 7.5-3.8 A (non-redundant power supply) 100-240 VAC, 50/60 Hz, 7-3.5 A (redundant power supply)
Heat dissipation	1637 BTU/hr maximum (non-redundant power supply) 1706 BTU/hr maximum (redundant power supply)
Maximum inrush current	Under typical line conditions and over the entire system ambient operating range, the inrush current may reach 25 A per power supply for 10 ms or less.

Power (continued)

Batteries

System battery CR 2032 3.0-V lithium ion coin cell

Physical

Height 4.3 cm (1.69 in)
Width 43.4 cm (17.09 in)
Depth 62.7 cm (24.69 in)
Weight (maximum configuration) 15.9 kg (35.02 lb)

Environmental

Temperature

Operating 10° to 35°C (50° to 95°F) with a maximum temperature gradation of 10°C per hour
NOTE: For altitudes above 2950 feet, the maximum operating temperature is derated 1°F/550 ft.
Storage -40° to 65°C (-40° to 149°F) with a maximum temperature gradation of 20°C per hour

Relative humidity

Operating 20% to 80% (noncondensing) with a maximum humidity gradation of 10% per hour
Storage 5% to 95% (noncondensing)

Maximum vibration

Operating 0.26 Grms at 5–500 Hz for 15 min
Storage 1.54 Grms at 10–250 Hz for 15 min

Maximum shock

Operating One shock pulse in the positive z axis (one pulse on each side of the system) of 31 G for 2.6 ms in the operational orientation

Environmental *(continued)*

Storage	Six consecutively executed shock pulses in the positive and negative x, y, and z axes (one pulse on each side of the system) of 71 G for up to 2 ms
---------	---

Altitude

Operating	-16 to 3048 m (-50 to 10,000 ft) NOTE: For altitudes above 2950 feet, the maximum operating temperature is derated 1°F/550 ft.
-----------	---

Storage	-16 to 10,600 m (-50 to 35,000 ft)
---------	------------------------------------

Airborne Contaminant Level

Class	G2 or lower as defined by ISA-S71.04-1985
-------	---

Guide de mise en route

Notes, précautions et avertissements




NOTE: Une NOTE indique des informations importantes qui peuvent vous aider à mieux utiliser votre ordinateur..



AVERTISSEMENT :Un AVERTISSEMENT vous avertit d'un risque d'endommagement du matériel, de blessure corporelle ou de mort..



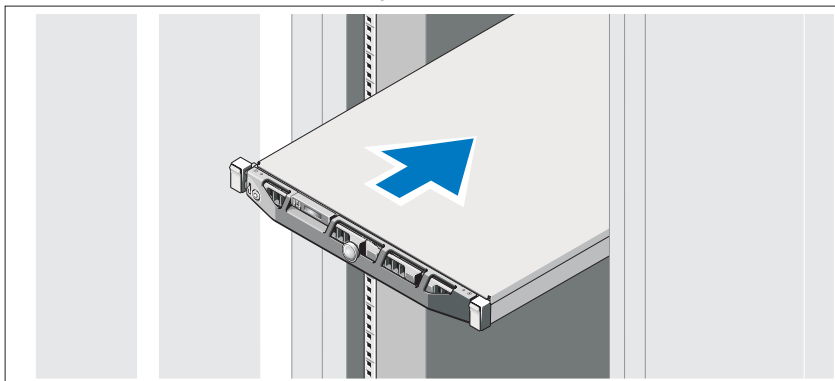
Installation et Configuration

 **AVERTISSEMENT** : Avant de commencer, consultez les consignes de sécurité fournies avec le système.

Déballage du système

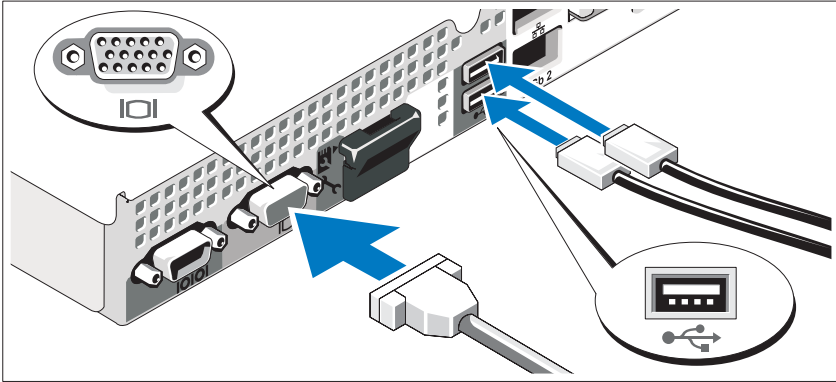
Sortez le système de son emballage et identifiez chaque élément.

Installation des rails et du système dans un rack



Assemblez les rails et installez le système dans le rack en suivant les consignes de sécurité et les instructions d'installation du rack fournies avec votre système.

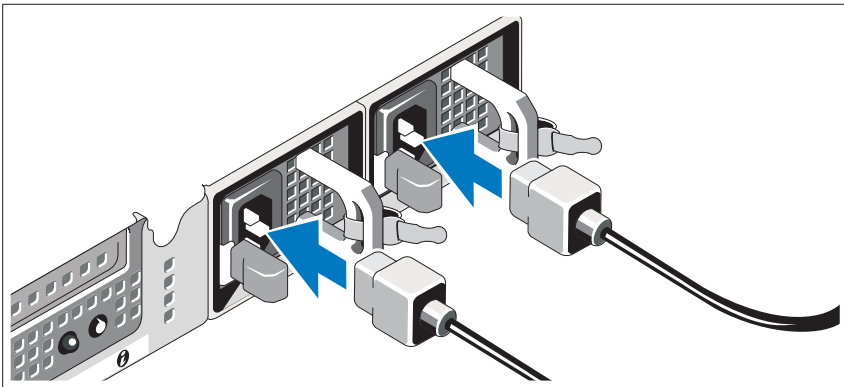
Facultatif – Connexion du clavier, de la souris et du moniteur



Connectez le clavier, la souris et le moniteur (si nécessaire).

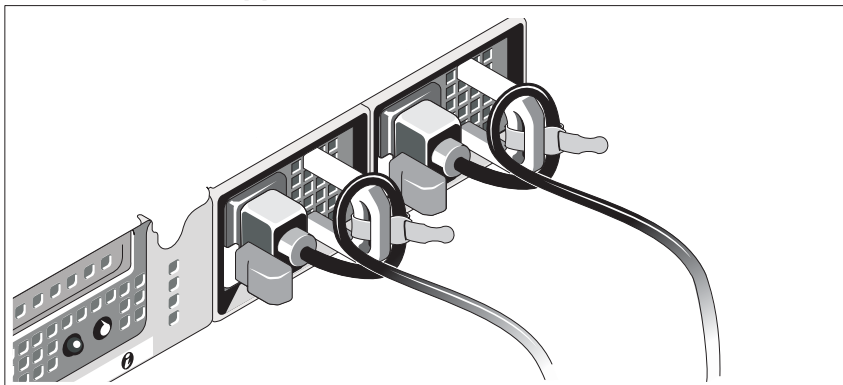
Aidez-vous des icônes des connecteurs situés à l'arrière du système pour savoir où insérer chaque câble. N'oubliez pas de serrer les vis situées sur le connecteur du câble du moniteur, s'il en est équipé.

Connexion des cordons d'alimentation



Connectez le ou les câbles d'alimentation au système et, si vous utilisez un moniteur, connectez son câble d'alimentation.

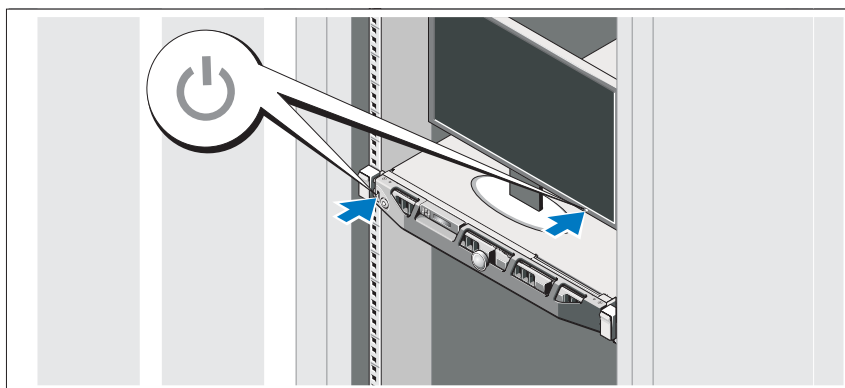
Installation du support de fixation du câble d'alimentation



Fixez le support du câble sur la courbe droite de la poignée du bloc d'alimentation. Faites une boucle comme indiqué dans l'illustration et insérez le câble d'alimentation dans le clip du support.

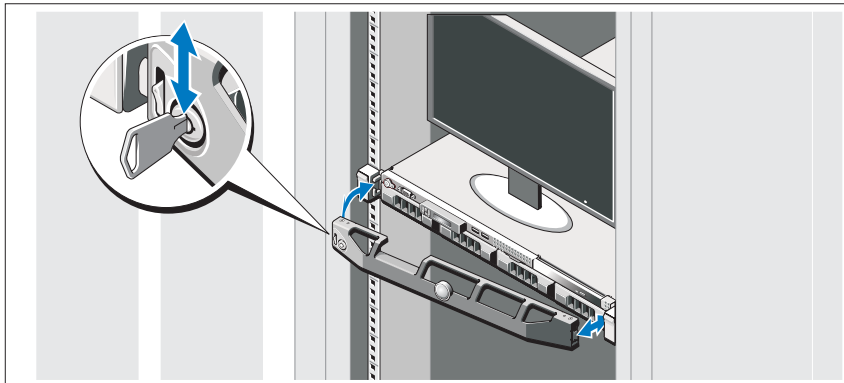
Branchez ensuite l'autre extrémité du câble sur une prise de courant mise à la terre ou sur une source d'alimentation autonome (onduleur ou unité de distribution de l'alimentation).

Mise sous tension du système



Appuyez sur le bouton d'alimentation du système et sur celui du moniteur. Les voyants d'alimentation doivent s'allumer.

Installation de la façade en option




Installez la façade (facultatif).

Installation du système d'exploitation

Le NovaScale R430 F2 dispose d'un utilitaire intégré: the Unified Server Configurator - Lifecycle Controller Enabled (USC-LCE), qui contient un assistant pour l'installation des systèmes d'exploitation. Résidant sur une carte mémoire flash intégrée, l'USC-LCE est similaire à un utilitaire BIOS car il peut être démarré lors de la séquence d'amorçage et fonctionner indépendamment du système d'exploitation installé.

Pour obtenir la liste des systèmes d'exploitation supportés, consultez les caractéristiques techniques du serveur sur le site <http://www.bull.com/novascale>.

 **NOTE:** La liste des systèmes d'exploitation qui peuvent être installés au moyen de l'utilitaire USC peut être plus étendue que la liste des systèmes d'exploitation réellement supportés.

 **NOTE:** Consultez le site <http://support.bull.com> pour l'installation d'un système d'exploitation supporté, mais non présent dans la liste de l'utilitaire USC.

L'USC-LCE fournit des pilotes qui peuvent être requis en vue de l'installation du système d'exploitation, selon le système d'exploitation que vous installez.

L'Assistant **Déploiement du SE** extrait ces pilotes et les copie dans un répertoire de mise en attente. Tous les pilotes copiés par l'Assistant **Déploiement du SE** sont supprimés au bout de 18 heures. Vous devez terminer l'installation du système d'exploitation dans les 18 heures pour que les pilotes

copiés soient disponibles. Pour supprimer les pilotes avant la fin de la période de 18 heures, réamorcez le système et appuyez sur la touche <F10> pour entrer à nouveau dans l'USC.



NOTE: Durant la période de 18 heures au cours de laquelle les pilotes sont extraits vers l'emplacement temporaire, vous ne pouvez pas mettre à jour l'USC, les pilotes ou les diagnostics à l'aide d'un progiciel Driver Update Package une fois le système d'exploitation installé, ou le progiciel Driver Update Package affiche un message indiquant qu'une autre session est ouverte.

Pour les systèmes d'exploitation Microsoft® Windows® pris en charge, ces pilotes extraits sont installés lors de l'installation du système d'exploitation. Pour les systèmes d'exploitation Linux pris en charge, vous devez installer manuellement les pilotes extraits une fois l'installation du système d'exploitation terminée.

Avant d'installer le système d'exploitation, l'Assistant **Déploiement du SE** détecte si un périphérique d'amorçage est disponible. Un périphérique d'amorçage est un disque physique, un disque virtuel ou tout autre périphérique de stockage sur lequel le système d'exploitation peut être installé.

Procédure d'installation

- 1 Connectez au système le clavier, l'écran, la souris ainsi que tout autre périphérique supplémentaire.
- 2 Mettez sous tension le système et les périphériques connectés.
- 3 Appuyez sur <F10> lors de l'auto-test de démarrage pour exécuter les Services système.

NOTE: Les messages Initializing UEFI. Please wait... (Initialisation de l'UEFI. Patientez) et Entering System Services...Starting Unified Server Configurator (Accès aux services système... Démarrage de l'utilitaire Unified Server Configurator) s'affichent.

- 4 Cliquez sur **OS Deployment** (Déploiement du système d'exploitation) dans le panneau de gauche.
- 5 Cliquez sur **Deploy OS** (Déployer le système d'exploitation) dans le panneau de droite.

NOTE: Si votre système est muni d'un contrôleur RAID, vous avez la possibilité de lancer l'Assistant Configuration du RAID et de configurer un disque virtuel comme périphérique d'amorçage.

NOTE: Si votre système ne dispose pas de contrôleur RAID, l'Assistant Déploiement du SE ignore l'option de configuration du RAID et passe directement à "Sélection d'un système d'exploitation".

Si votre système ne dispose pas de contrôleur RAID ou si vous choisissez d'ignorer la configuration RAID, le système d'exploitation sera installé sur le périphérique d'amorçage par défaut identifié dans l'utilitaire BIOS.

- 6 Sélectionnez le système d'exploitation à installer et cliquez sur **Suivant**.
- 7 L'USC-LCE extrait les pilotes requis par le système d'exploitation que vous avez sélectionné. Les pilotes sont extraits sur un lecteur USB interne nommé OEMDRV.

NOTE: Pour Red Hat® Enterprise Linux® 4.x Server et Red Hat Enterprise Linux 5.x Server, les pilotes sont extraits dans OEMDRV sous /oemdrv/*.rpm.

Pour SUSE® Linux Enterprise Server 10 SP2, les pilotes sont extraits sous /linux/suse/x86_64-sles10/install/*.rpm.

NOTE: Le processus d'extraction des pilotes peut prendre plusieurs minutes.

NOTE: Tous les pilotes copiés par l'Assistant Déploiement du SE sont supprimés au bout de 18 heures. Vous devez terminer l'installation du système d'exploitation dans les 18 heures pour que les pilotes copiés soient disponibles.

- 8 Une fois les pilotes extraits, l'USC-LCE vous invite à insérer le média d'installation du système d'exploitation.

NOTE: Lors de l'installation du système d'exploitation Microsoft Windows, les pilotes extraits sont automatiquement installés. Lors de l'installation du système d'exploitation Linux, des pilotes natifs sont utilisés. Une fois l'installation de Linux terminée, vous devez installer manuellement les pilotes extraits par l'USC. Consultez la section "Mise à jour des pilotes pour les systèmes Linux seulement" pour plus d'informations.

- 9 Insérez le média d'installation du système d'exploitation lorsque vous y êtes invité, puis cliquez sur **Suivant**.

NOTE: L'USC-LCE prend en charge les lecteurs optiques SATA internes, les lecteurs optiques USB et les périphériques de média virtuel. Si le média d'installation est corrompu ou illisible, l'USC est alors dans l'incapacité de détecter la présence d'un lecteur optique pris en charge. Dans ce cas, vous recevrez un message d'erreur indiquant qu'aucun lecteur optique n'est disponible. Si le média n'est pas valide (s'il s'agit, par exemple, du mauvais CD ou DVD), un message vous demandant d'insérer le média d'installation adéquat s'affiche alors.

- 10 Cliquez sur **Terminer** pour réamorcer le système et continuer l'installation du système d'exploitation. Au réamorçage, le système s'amorce sur le média d'installation du système d'exploitation.

NOTE: Lorsque le système se réamorce lorsque vous avez cliqué sur Terminer, un message peut vous demander d'appuyer sur une touche avant l'amorçage sur le média d'installation du système d'exploitation. Si vous n'appuyez sur aucune touche, le système s'amorce sur le disque dur et non sur le média d'installation du système d'exploitation.

NOTE: Si l'installation du système d'exploitation est interrompue et si le système se réamorce avant la fin de l'installation, un message peut vous demander d'appuyer sur une touche pour effectuer l'amorçage à partir du média d'installation du système d'exploitation.

NOTE: Vous pouvez annuler l'installation du système d'exploitation en appuyant sur la touche <F10>. Le fait d'appuyer sur la touche <F10> à n'importe quel moment au cours du processus d'installation ou lors du réamorçage entraîne la suppression des pilotes fournis par l'Assistant Déploiement du SE.

NOTE: Les installations de système d'exploitation Windows Server 2008 UEFI ne sont actuellement pas prises en charge.

PRECAUTION :*Lors de l'installation de Red Hat 5.x, vous recevrez un avertissement indiquant qu'un système de fichiers en lecture seule a été détecté ; Linux a détecté la zone de stockage temporaire de l'USC qui contient les mises à jour de votre système. Cliquez sur OK. Un deuxième avertissement indiquant que le système de fichiers en lecture seule dispose d'une partition en boucle devant être formatée s'affiche alors. Cliquez sur le bouton Ignorer le lecteur. Il se peut que ces deux avertissements s'affichent à plusieurs reprises au cours de l'installation de Red Hat 5.x.*

PRECAUTION :*Au début de l'installation de Windows Server® 2003, le programme d'installation détectera automatiquement la lettre de lecteur C par défaut et l'attribuera éventuellement au périphérique de stockage temporaire de l'USC OEMDRV. La création d'une nouvelle partition système amorçable sur Windows sur le disque dur attribuera la partition à une lettre de lecteur autre que C; il s'agit d'un comportement normal du programme d'installation Windows. Pour attribuer la nouvelle partition à la lettre de lecteur C, consultez la section "Attribution d'une partition système amorçable sur Windows au lecteur C:" pour plus d'informations.*

Mise à jour des pilotes pour les systèmes Linux seulement

Sur les systèmes d'exploitation suivants, il est recommandé de mettre à jour votre système avec les pilotes extraits après l'installation. Les pilotes sont extraits sur un lecteur (ou périphérique) nommé OEMDRV.

- Red Hat Enterprise Linux 4.7 server - l'emplacement des pilotes sur le lecteur OEMDRV après l'installation est le suivant : **/oemdrv/*.rpm**
- Red Hat Enterprise Linux 5.3 server - l'emplacement des pilotes sur le lecteur OEMDRV après l'installation est le suivant : **/oemdrv/*.rpm**

- SUSE Linux Enterprise Server 10 avec Service Pack 2 - l'emplacement des pilotes sur le lecteur OEMDRV après l'installation est le suivant :
/linux/suse/x86_64-sles10/install/*.rpm

Utilisez la commande suivante pour installer les pilotes : **rpm -Uvh *.rpm**.



NOTE: Si la commande `rpm -Uvh *.rpm` génère une erreur lors de l'installation d'un pilote parce qu'une version plus récente de l'utilitaire DKMS est requise, consultez le site <http://support.bull.com> pour télécharger la version la plus récente de l'utilitaire DKMS, puis :

- utilisez la commande suivante pour installer cet utilitaire :
rpm -Uvh dkms <version-release>.noarch.rpm
- utilisez la commande suivante pour installer les pilotes Linux :
find /* -not -name dkms* -exec rpm -Uvh {} \;

Installation Kickstart pour le système d'exploitation Linux

Si vous utilisez une installation Kickstart pour le système d'exploitation Linux, vous devez fournir les informations suivantes dans le script post-installation :

- La commande pour monter le périphérique USB contenant les pilotes du système d'exploitation, appelé OEMDRV.
Par exemple:
`mkdir OEMDRV`
`mount /dev/sdc1 /mnt/OEMDRV`
- Le chemin vers les pilotes du système d'exploitation sur le lecteur OEMDRV:
Pour Red Hat Enterprise Linux: **/oemdrv/*.rpm**
Pour SUSE Linux Enterprise Server: **/linux/suse/x86_64-sles10/install/*.rpm**
- La commande pour installer les pilotes : **rpm -Uvh *.rpm**

Attribution d'une partition système amorçable sur Windows au lecteur C:

Après avoir installé la partie de l'USC - LCE de Windows Server 2003, votre serveur se réamorce et entame la partie de l'installation en mode texte. Au cours de cette phase, vous devrez peut-être effectuer les étapes suivantes pour vous assurer que Windows s'installe bien sur votre lecteur C:.



NOTE: En suivant ces instructions après l'installation de Windows Server 2003, une liste des partitions de lecteur existantes et/ou d'espace non partitionné disponible sur votre ordinateur vous sera présentée.

- 1 Sélectionnez l'espace non partitionné, puis appuyez sur <c> pour créer une partition de disque dur. Suivez les instructions à l'écran pour créer une partition.

NOTE: La partition peut ne pas être énumérée en tant que lecteur C:.

- 2 Sélectionnez la partition qui vient d'être créée, puis appuyez sur <d> pour supprimer la partition. Suivez les instructions à l'écran pour supprimer la partition.
- 3 Sélectionnez l'espace non partitionné à nouveau, puis appuyez sur <c> pour créer une partition de disque dur principale.

NOTE: La partition sera maintenant énumérée en tant que lecteur C:.

- 4 Suivez les instructions à l'écran pour créer une partition. Windows peut désormais s'installer sur le lecteur C:.

Pour plus d'informations sur l'attribution de la partition système amorçable sur Windows au lecteur C:, consultez le site <http://support.microsoft.com/kb/896536>.

Autres informations utiles



AVERTISSEMENT : Consultez les informations sur la sécurité et les réglementations fournies avec votre système. Les informations sur la garantie se trouvent soit dans ce document, soit à part.

- La documentation fournie avec le rack indique comment installer le système dans un rack.
- Le document *Hardware Owner's Manual* (Manuel du propriétaire) présente les caractéristiques du système et contient des informations de dépannage et des instructions d'installation ou de remplacement des composants. Il est disponible sur le site <http://support.bull.com/documentation>.
- Tous les supports fournis avec le système contenant de la documentation et des outils permettant de configurer et de gérer le système, du logiciel de gestion du système, des mises à jour système et des composants systèmes que vous avez achetés avec le système.



NOTE: Vérifiez toujours si des mises à jour sont disponibles sur le site <http://support.bull.com> et lisez-les en premier, car elles remplacent souvent les informations contenues dans les autres documents.

Obtention d'une assistance technique

Si vous ne comprenez pas une procédure décrite dans ce guide ou si le système ne réagit pas comme prévu, reportez-vous au site

<http://support.bull.com/documentation> pour toute documentation complémentaire, ou contactez votre représentant du support ; la liste des numéros téléphones se trouve à <http://support.bull.com>.

Spécifications techniques

Processeur

Type de processeur	Intel® Xeon® 5500 series
--------------------	--------------------------

Bus d'extension

Type de bus	PCI Express 2ème génération
-------------	-----------------------------

Logements d'extension	Un pleine hauteur, demi-longueur x16 liaisons
------------------------------	---

Mémoire

Architecture	Barrettes de mémoire ECC (code de correction d'erreur) DDR3 cadencées à 1066 ou 1333 MHz inscrites ou sans tampon.
--------------	--

Supports de barrettes de mémoire	Huit à 240 broches
----------------------------------	--------------------

Capacité des barrettes de mémoire	1 Go, 2 Go, 4 Go ou 8 Go
-----------------------------------	--------------------------

RAM minimale	1 Go (avec un seul processeur) ou 2 Go (avec deux processeurs)
--------------	--

RAM maximale	32 Go (avec un seul processeur) ou 64 Go (avec deux processeurs)
--------------	--

Lecteurs

Disques durs	Jusqu'à quatre disques durs SAS ou SATA internes de 3,5 pouces, câblés ou échangeables à chaud ou Jusqu'à quatre disques durs SAS ou SATA échangeables à chaud ou lecteurs SSD internes de 2,5 pouces
--------------	---

Lecteur de disquette	Un lecteur de disquette de 1,44 Mo USB externe, en option
----------------------	---

Lecteurs

Lecteur optique	Un lecteur de DVD-ROM ou DVD+RW SATA slim interne, en option Un lecteur de DVD USB externe, en option NOTE: Les périphériques DVD sont uniquement des périphériques de données.
-----------------	---

Connecteurs

Arrière

Carte d'interface réseau	Deux connecteurs RJ-45 (pour cartes d'interface réseau 1 Go intégrées)
Série	Connecteur DTE à 9 broches, compatible 16550
USB	Deux connecteurs à 4 broches, compatibles USB 2.0
Vidéo	VGA à 15 broches

Avant

Vidéo	Connecteur VGA à 15 broches
USB	Deux connecteurs à 4 broches, compatibles USB 2.0

Internes

USB	Deux connecteurs à 4 broches, compatibles USB 2.0
-----	---

Vidéo

Type de vidéo	Matrox G200, intégré au Winbond WPCM450
---------------	---

Mémoire vidéo	8 Mo
---------------	------

Alimentation

Bloc d'alimentation CA (selon la tension en vigueur)

Puissance	480 W (un bloc d'alimentation) 500 W (deux blocs d'alimentation)
Tension	100–240 VAC, 50-60 Hz, 7,5-3,8 A (un bloc d'alimentation) 100–240 VAC, 50-60 Hz, 7-3,5 A (deux blocs d'alimentation)
Dissipation thermique	Maximum de 1637 BTU/h (un bloc d'alimentation) Maximum de 1706 BTU/h (deux blocs d'alimentation)

Alimentation

Appel de courant maximum	Dans des conditions de ligne typiques et dans toute la gamme ambiante de fonctionnement du système, l'appel de courant peut atteindre 25 A par bloc d'alimentation pendant un maximum de 10 ms.
--------------------------	---

Piles

Pile du système	Pile bouton au lithium-ion CR 2032 (3 V)
-----------------	--

Caractéristiques physiques

Hauteur	4,3 cm (1,69 pouces)
Largeur	43,4 cm (17,09 pouces)
Profondeur	62,7 cm (24,69 pouces)
Poids (configuration maximale)	15,9 kg (35,02 livres)

Environnement

Température

En fonctionnement	De 10° à 35°C (50° à 95°F) avec un gradient thermique maximal de 10°C par heure NOTE: Pour les altitudes supérieures à 900 mètres (2950 pieds), la température maximale de fonctionnement est réduite de 0,55°C (1°F) tous les 168 mètres (550 pieds).
Stockage	De -40° à 65°C (-40° à 149°F) avec un gradient thermique maximal de 20°C par heure

Humidité relative

En fonctionnement	De 20% à 80% (sans condensation) avec un gradient d'humidité maximal de 10% par heure
Stockage	De 5% à 95% (sans condensation)

Tolérance maximale aux vibrations

En fonctionnement	0,26 Grms avec un balayage de 5 à 500 Hz pendant 15 minutes
Stockage	1,54 Grms avec un balayage de 10 à 250 Hz pendant 15 minutes

Environnement

Choc maximal

En fonctionnement	Une impulsion de choc de 31 G de chaque côté du système, pendant 2,6 ms sur l'axe z positif (système installé dans la position de fonctionnement)
Stockage	Six chocs consécutifs de 71 G pendant un maximum de 2 ms en positif et négatif sur les axes x, y et z (une impulsion de chaque côté du système)

Altitude

En fonctionnement	De -16 à 3 048 m (de -50 à 10 000 pieds) NOTE: Pour les altitudes supérieures à 900 mètres (2950 pieds), la température maximale de fonctionnement est réduite de 0,55°C (1°F) tous les 168 mètres (550 pieds).
Stockage	De -16 à 10 600 m (de -50 à 35 000 pieds)

Contaminants en suspension dans l'air

Classe	G2 ou inférieure selon la norme ISA-S71.04-1985
--------	---

BULL CEDOC
357 AVENUE PATTON
B.P.20845
49008 ANGERS CEDEX 01
FRANCE

REFERENCE
86 X1 61FD 00