

# NovaScale R460 F3

Getting Started  
Guide de mise en route

NOVASCALE



REFERENCE  
86 X1 55FH 01



# NOVASCALÉ

## NovaScale R460 F3

Getting Started

Guide de mise en route

**Hardware/Matériel**

March/Mars 2012

BULL CEDOC  
357 AVENUE PATTON  
B.P.20845  
49008 ANGERS CEDEX 01  
FRANCE

**REFERENCE**  
86 X1 55FH 01

The following copyright notice protects this book under Copyright laws which prohibit such actions as, but not limited to, copying, distributing, modifying, and making derivative works.

Copyright © Bull SAS 2012

Printed in France

## **Trademarks and Acknowledgements**

We acknowledge the rights of the proprietors of the trademarks mentioned in this manual.

All brand names and software and hardware product names are subject to trademark and/or patent protection.

Quoting of brand and product names is for information purposes only and does not represent trademark misuse.

*The information in this document is subject to change without notice. Bull will not be liable for errors contained herein, or for incidental or consequential damages in connection with the use of this material.*

---

## Contents / Table des matières

<b>Bull NovaScale R460 F3 Getting Started Guide .....</b>	<b>1</b>
1.1	Notes, Cautions, and Warnings ..... 1
1.2	Installation And Configuration ..... 1
1.2.1	Unpacking a Rack System ..... 1
1.2.2	Connecting The Optional Keyboard, Mouse, And Monitor ..... 2
1.2.3	Connecting The Power Cable(s) ..... 2
1.2.4	Securing The Power Cable(s) ..... 3
1.2.5	Turning On The System ..... 3
1.2.6	Installing The Optional Bezel ..... 4
1.3	Operating System Installation ..... 4
1.3.1	To begin installation ..... 5
1.3.2	Install Drivers for Red Hat Enterprise Linux 6.1 ..... 7
1.4	Other Information You May Need ..... 8
1.5	Obtaining Technical Assistance ..... 8
1.6	Technical Specifications ..... 9
<b>Bull NovaScale R460 F3 Guide de mise en route.....</b>	<b>13</b>
2.1	Remarques, précautions et avertissements ..... 13
2.2	Installation et configuration ..... 13
2.2.1	Déballage d'un système en rack ..... 13
2.2.2	Connexion du clavier (facultatif), de la souris et du moniteur ..... 14
2.2.3	Branchement du ou des câbles d'alimentation ..... 14
2.2.4	Sécurisation du ou des câbles d'alimentation ..... 15
2.2.5	Mise sous tension du système ..... 15
2.2.6	Installation de la façade en option ..... 16
2.3	Installation du système d'exploitation ..... 17
2.3.1	Procédure d'installation ..... 18
2.3.2	Installation des pilotes pour Redhat Enterprise Linux 6.1 ..... 20
2.4	Autres informations utiles ..... 21
2.5	Obtention d'une assistance technique ..... 21
2.6	Caractéristiques techniques ..... 22

## List of Figures / Liste des figures

Figure 1-1.	Installing the Rails and System in a Rack .....	1
Figure 1-2.	Connecting Keyboard, Mouse, and Monitor .....	2
Figure 1-3.	Connecting the Power Cable(s) .....	2
Figure 1-4.	Securing the Power Cable(s) .....	3
Figure 1-5.	Turning on the System .....	3
Figure 1-6.	Installing the Bezel.....	4
Figure 2-1.	Installation des rails et du système dans un rack .....	13
Figure 2-2.	Connexion du clavier, de la souris et du moniteur .....	14
Figure 2-3.	Branchement du ou des câbles d'alimentation.....	14
Figure 2-4.	Sécurisation du ou des câbles d'alimentation .....	15
Figure 2-5.	Mise sous tension du système.....	15
Figure 2-6.	Installation du cadre .....	16

---

# 1. Bull NovaScale R460 F3 Getting Started Guide

## 1.1 Notes, Cautions, and Warnings

---

**Note** A NOTE indicates important information that helps you make better use of your computer.

---



**CAUTION**

A CAUTION indicates potential damage to hardware or loss of data if instructions are not followed.



**WARNING**

A WARNING indicates a potential for property damage, personal injury, or death.

## 1.2 Installation And Configuration

---

**Note** Before performing the following procedure, review the safety instructions that came with the system.

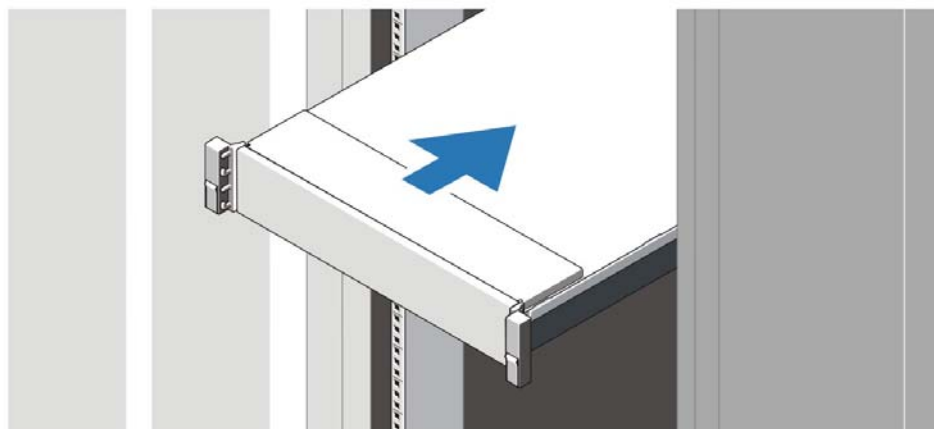
---

### 1.2.1 Unpacking a Rack System

Unpack your system and identify each item.

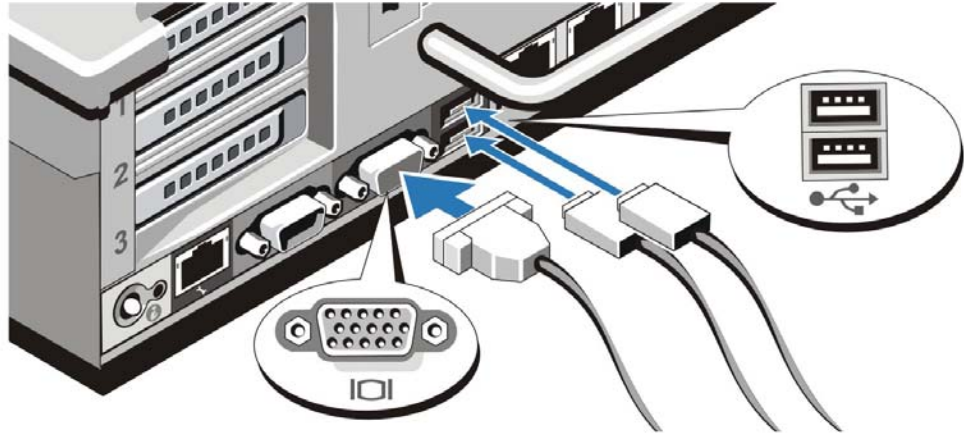
Assemble the rails and install the system in the rack following the safety instructions and the rack installation instructions provided with your system.

Figure 1-1. Installing the Rails and System in a Rack



## 1.2.2 Connecting The Optional Keyboard, Mouse, And Monitor

Figure 1-2. Connecting Keyboard, Mouse, and Monitor

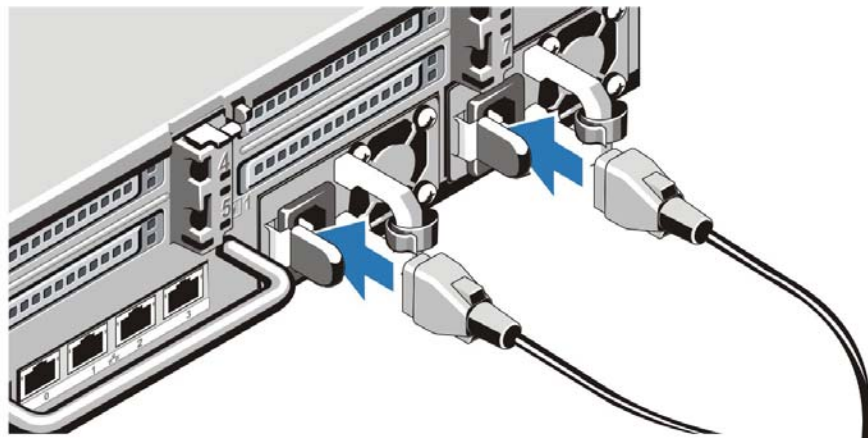


Connect the keyboard, mouse, and monitor (optional).

The connectors on the back of your system have icons indicating which cable to plug into each connector. Be sure to tighten the screws (if any) on the monitor's cable connector.

## 1.2.3 Connecting The Power Cable(s)

Figure 1-3. Connecting the Power Cable(s)

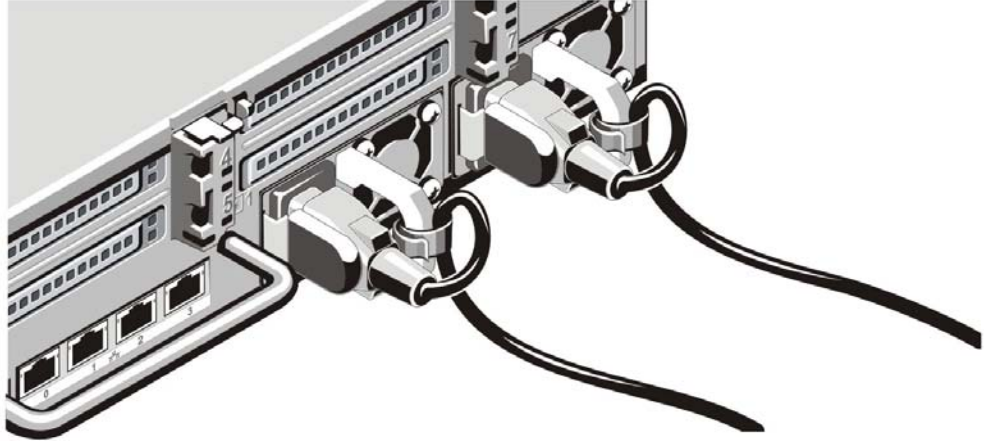


Connect the system's power cable(s) to the system and, if a monitor is used, connect the monitor's power cable to the monitor.



## 1.2.4 Securing The Power Cable(s)

Figure 1-4. Securing the Power Cable(s)

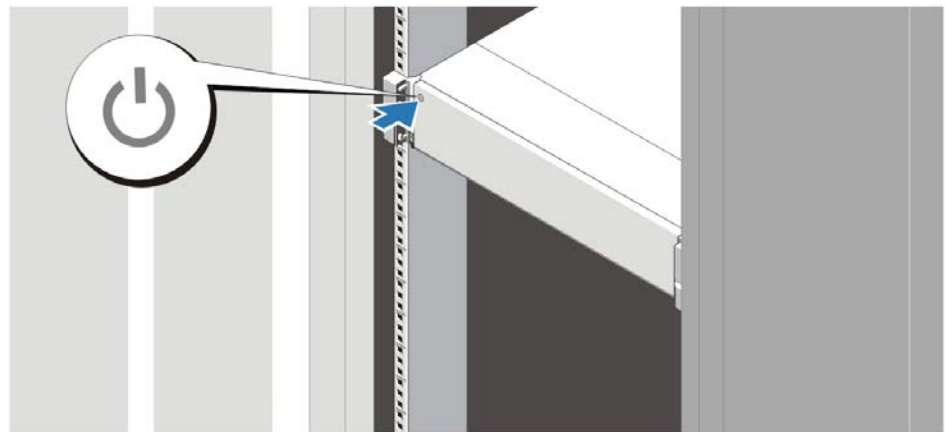


Bend the system power cable(s), as shown in the illustration, and attach to the cable strap.

Plug the other end of the power cable(s) into a grounded electrical outlet or a separate power source such as an uninterruptible power supply (UPS) or a power distribution unit (PDU).

## 1.2.5 Turning On The System

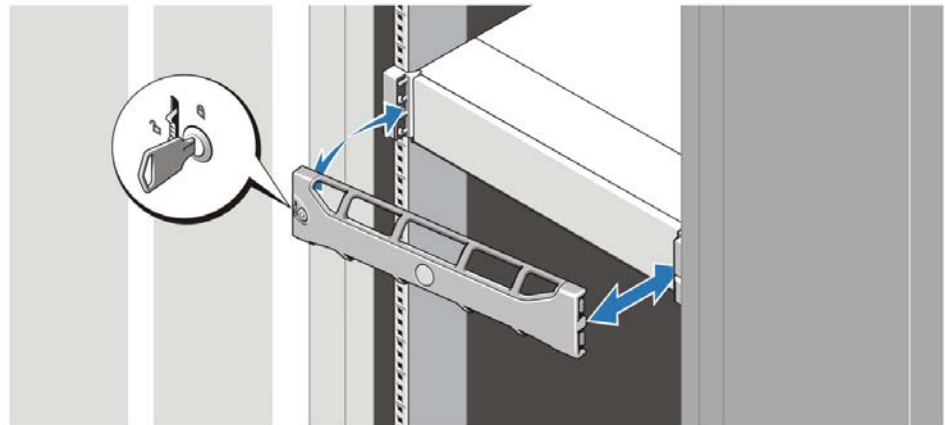
Figure 1-5. Turning on the System



Press the power button on the system. The power indicator should light.

## 1.2.6 Installing The Optional Bezel

Figure 1-6. Installing the Bezel



Install the bezel (optional).

## 1.3 Operating System Installation

The NovaScale R460 F3 offers an embedded Configuration utility: the Lifecycle Controller - Unified Server Configurator, which includes an OS Deployment Wizard that assists you with the installation of the Operating System.

Refer to the technical characteristics of the Server on [www.bull.com/novascale](http://www.bull.com/novascale) to get the list of supported Operating Systems.

- 
- Notes**
- The list of Operating Systems offered by the Lifecycle controller may be larger than the list of the supported Operating Systems.
  - For the installation of a supported Operating System not listed in the Lifecycle controller, see <http://support.bull.com>.
  - For the Red Hat Enterprise Linux 6.x server installation, if the software has been ordered from Bull, you got a media & doc package which contains the Bull Installation Pack (BIP) software. You can use the BIP to automatically install some useful packages of the Red Hat distribution. It is time saving for a smart installation. Don't use the Lifecycle controller if you decide to use the BIP.
- 

Residing on an embedded flash memory chip, the Lifecycle controller is similar to a BIOS utility in that it can be started during the boot sequence and can function independently of an installed operating system.

It provides drivers that may be required for operating system installation, depending on which operating system you are installing. The OS Deployment wizard extracts these drivers and copies them to a staging directory. These files are deleted after an 18-hour period or when you press the <F10> key to either cancel operating system installation or re-enter Lifecycle controller after rebooting.

---

**Note** During the 18-hour period when the drivers are extracted to the temporary location, you cannot update the Lifecycle controller firmware, drivers, or diagnostics using a Driver Update Package after the operating system is installed. In that case the Driver Update Package will display a message that another session is open.

---

For supported Microsoft® Windows® operating systems and for supported Red Hat Enterprise Linux 6.x, these extracted drivers are installed during the operating system installation.

For supported VMware ESXi 5.x, if the VMware media used for the installation does not include the drivers required for the server, you can download from <http://support.bull.com>, a ESXi installer image created by Bull. This image may contain additional certified drivers.

Before installing the operating system, the OS Deployment wizard detects if a boot device is available. A boot device is a physical disk, virtual disk, or other storage device on which the operating system can be installed.

### 1.3.1 To begin installation

1. Connect the keyboard, monitor, mouse, and any additional peripherals to your system.
2. Turn on the system and the attached peripherals.
3. Press <F10> in the POST to start the Lifecycle controller.

---

**Note** The `Entering Lifecycle Controller` message is displayed.

---

4. Click **OS Deployment** in the left pane.
5. Click **Deploy OS** in the right pane.

- 
- Notes**
- If your system has a RAID controller, you have the option of launching the RAID Configuration wizard and configuring a virtual disk as the boot device.
  - If your system does not have a RAID controller, the OS Deployment wizard bypasses the RAID configuration option and goes directly to "Select an Operating System".
- 

6. Select the operating system you want to install and click **Next**.
7. The Lifecycle controller extracts the drivers required by the operating system you selected. The drivers are extracted to an internal USB drive named OEMDRV.

- 
- Notes**
- The process for extracting the drivers may take several minutes.
  - All drivers copied by the OS Deployment wizard are removed after 18 hours. You must complete the operating system installation within 18 hours for the copied drivers to be available. To remove the drivers before the 18-hour period is over, reboot the system and press the <F10> key to re-enter Lifecycle controller.
-

8. Choose the boot mode, UEFI or BIOS, for the selected Operating System installation and click **Next**.
9. After the drivers are extracted, the Lifecycle controller prompts you to insert the operating system installation media.

---

**Note** When installing the supported Microsoft Windows operating system, the extracted drivers are automatically installed during the operating system installation.

When installing the Red Hat Enterprise Linux 6.x operating system, the extracted drivers are automatically installed during the operating system installation. Be careful, there is an issue with the Red Hat Enterprise Linux 6.1 which affects the Lifecycle controller based installation. See "Install Drivers for Red Hat Enterprise Linux 6.1 ".

---

10. Insert the operating system installation media when prompted and click **Next**.

---

**Note** The Lifecycle controller supports internal SATA optical drives, USB optical drives, and virtual media devices. If the installation media is corrupt or not readable, then the Lifecycle controller may be unable to detect the presence of a supported optical drive. In this case, you may receive an error message stating that no optical drive is available. If the media is not valid (if it is the incorrect CD or DVD, for example), a message displays requesting that you insert the correct installation media.

---

11. Click **Finish** to reboot the system and continue with the operating system installation. Upon reboot, the system boots to the operating system installation media.

---

**Notes**

- When the system reboots after you click Finish, you may be prompted to press a key before booting to the operating system installation media. If you do not press a key, the system boots to the hard drive and not the operating system installation media.
- In the event that the operating system installation is interrupted and the system reboots before installation completes, you may be prompted to press a key in order to boot from the operating system installation media.
- You can cancel the operating system installation by pressing the <F10> key. Pressing the <F10> key at any point during the installation process or while rebooting causes any drivers provided by the OS Deployment wizard to be removed.

---



**CAUTION**

*To get round an issue during Red Hat 6.1 installation, you will have to manually install the drivers. See "Install Drivers for Red Hat Enterprise Linux 6.1 ".*

## 1.3.2 Install Drivers for Red Hat Enterprise Linux 6.1.

Once the system reboots after you chose to install the Red Hat Enterprise Linux 6.1 operating system :

1. For installation in:
  - Bios mode : press **<Tab>** to edit options  
press the **spacebar** and type the string **dd updates**, the command line option will look like : `wmlinuz  
initrd=initrd.img dd updates`
  - UEFI mode : Press **a** and type the string **dd updates**
2. Press **<Enter>**
3. During installation :
  - If the driver disk is automatically detected, a *Driver disc detected* popup is displayed :
    - i. Remember the location of the driver disk partition. It is the OEMDRV disk partition.
    - ii. Select **Use it** and press **Enter**
    - iii. A Driver Disk popup is displayed with the message - *Do you have a driver disk?* Select **No** and press **Enter**
  - If the driver disk is not automatically detected :
    - i. A Driver Disk popup is displayed with the message - *Do you have a driver disk?* Select **Yes** and press **Enter**
    - ii. Provide the location of the driver disk source. The driver disk partition OEMDRV contains a file named `driver_disk.iso`.
    - iii. Select the file driver **driver\_disk.iso** to load the drivers
4. A *Disc Found* popup of the Redhat media is displayed. If you want to check the media, select **OK** otherwise select **Skip**, and press **Enter**
5. An *Update Disk Source* popup appears with the message to select the location of the update source.
6. Select the OEMDRV disk partition and press **OK**.
7. The *Updates Disk* popup appears.
8. Press **OK** and follow the on-screen instructions to complete the installation

## 1.4 Other Information You May Need

---

**Note** See the safety and regulatory information that shipped with your system. Warranty information may be included within this document or as a separate document.

---

The *Owner's Manual* provides information about system features and describes how to troubleshoot the system and install or replace system components. This document is available online at <http://support.bull.com/documentation>.

The rack documentation included with your rack solution describes how to install your system into a rack, if required.

Any media that ships with your system that provides documentation and tools for configuring and managing your system, including those pertaining to the operating system, system management software, system updates, and system components that you purchased with your system.

---

**Note** Always check for updates on <http://support.bull.com/documentation> and read the updates first because they often supersede information in other documents.

---

## 1.5 Obtaining Technical Assistance

If you do not understand a procedure in this guide or if the system does not perform as expected, see <http://support.bull.com/documentation> for further documentation, or contact your support representative; the phone directory is at <http://support.bull.com>.

## 1.6 Technical Specifications

**Note** The following specifications are only those required by law to ship with your system. For a complete and current listing of the specifications for your system, go to <http://www.bull.com/novascale>.

<b>Power</b>	
<b>AC Power Supply (per power supply)</b>	
Wattage	495 W, 750 W, or 1100 W
Heat dissipation NOTE: Heat dissipation is calculated using the power supply wattage rating.	1908 BTU/hr maximum (495 W power supply) 2891 BTU/hr maximum (750 W power supply) 4100 BTU/hr maximum (1100 W power supply)
Voltage	100–240 V AC, autoranging, 50/60 Hz
<i>NOTE: This system is also designed to be connected to IT power systems with a phase to phase voltage not exceeding 230 V.</i>	
<b>DC Power Supply (per power supply) (when available)</b>	
Wattage	1100 W
Heat dissipation	4416 BTU/hour maximum
<i>NOTE: Heat dissipation is calculated using the power supply wattage rating.</i>	
Voltage	–(48–60) V DC
<b>Battery</b>	
Coin-cell battery	3 V CR2032 Lithium coin cell

<b>Physical</b>	
Height	87.3 mm (3.44 inch)
Width	
With rack latches	482.4 mm (18.98 inch)
Without rack latches	444 mm (17.08 inch)
Depth (includes bezel)	755.8 mm (29.75 inch)
Weight (maximum)	
2.5-inch hard-drive systems	29.5 kg (64.9 lbs)
3.5-inch hard-drive systems	29.2 kg (64.3 lbs)
Weight (empty)	
2.5-inch hard-drive systems	11.7 kg (25.7 lbs)
3.5-inch hard-drive systems	10.3 kg (22.7 lbs)

<b>Environmental</b>	
<b>Note:</b> For additional information about environmental measurements for specific system configurations, see <a href="http://www.bull.com/novascale">http://www.bull.com/novascale</a> .	
<b>Temperature</b>	
Operating	Continuous operation: 10 °C to 35 °C at 10% to 80% relative humidity (RH), with 26 °C max dew point. De-rate maximum allowable dry bulb temperature at 1 °C/300 m above 900 m (1 °F per 550 ft).
	<i>NOTE: When using NovaScale R460 F3 with internal GPGPU card(s), the continuous operation range is 10 °C to 30 °C at 10% to 80% RH, with 26 °C max dew point.</i>
Storage	-40 °C to 65 °C (-40 °F to 149 °F) with a maximum temperature gradation of 20 °C per hour
<b>Relative humidity</b>	
Operating	20% to 80% (noncondensing) at a maximum wet bulb temperature of 29 °C (84.2 °F)
Storage	5% to 95% at a maximum wet bulb temperature of 38 °C (100.4 °F)



<b>Environmental</b>	
<b>Maximum vibration</b>	
Operating	0.26 Grms at 5–350 Hz (all operation orientations)
Storage	1.87 Grms at 10–500 Hz for 15 min (all six sides tested)
<b>Maximum shock</b>	
Operating	One shock pulse in the positive z axis (one pulse on each side of the system) of 31 G for 2.6 ms in the operational orientation
Storage	Six consecutively executed shock pulses in the positive and negative x, y, and z axes (one pulse on each side of the system) of 71 G for up to 2 ms Six consecutively executed shock pulses in the positive and negative x, y, and z axes (one pulse on each side of the system) of 32 G faired square wave pulse with velocity change at 270 inches/second (685 centimeters/second)
<b>Altitude</b>	
Operating	–15.2 m to 3048 m (–50 ft to 10,000 ft)
	<i>NOTE: For altitudes above 2950 ft, the maximum operating temperature is derated 1°F/550 ft.</i>
Storage	–15.2 m to 10,668 m (–50 ft to 35,000 ft)
Airborne Contaminant Level	
Class	G1 as defined by ISA-S71.04-1985



---

## 2. Bull NovaScale R460 F3 Guide de mise en route

### 2.1 Remarques, précautions et avertissements

---

**Note** indique des informations importantes qui peuvent vous aider à mieux utiliser l'ordinateur.

---



**ATTENTION**

vous avertit d'un risque d'endommagement du matériel ou de perte de données si les consignes ne sont pas respectées.



**AVERTISSEMENT**

signale un risque d'endommagement du matériel, de blessure corporelle, voire de mort.

### 2.2 Installation et configuration



**AVERTISSEMENT**

Avant d'exécuter la procédure suivante, lisez les consignes de sécurité fournies avec le système.

#### 2.2.1 Déballage d'un système en rack

Sortez le système de son emballage et identifiez chaque élément.

Assemblez les rails et installez le système dans le rack en suivant les consignes de sécurité et les instructions d'installation du rack fournies avec votre système.

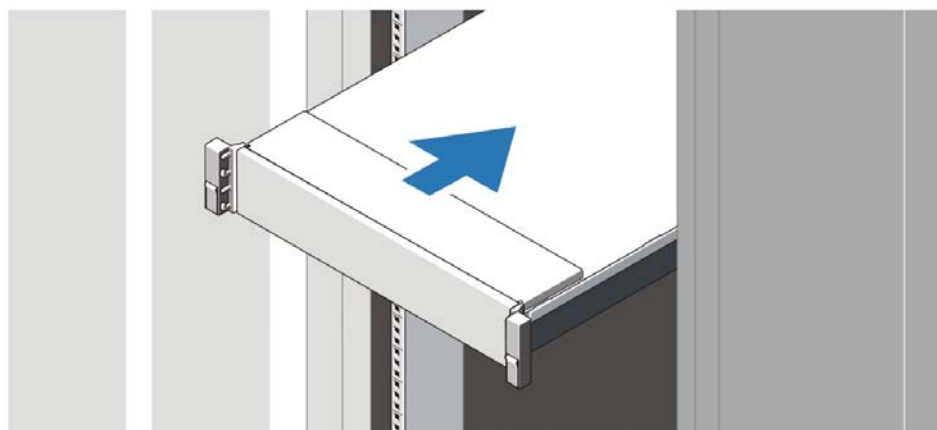


Figure 2-1. Installation des rails et du système dans un rack

## 2.2.2 Connexion du clavier (facultatif), de la souris et du moniteur

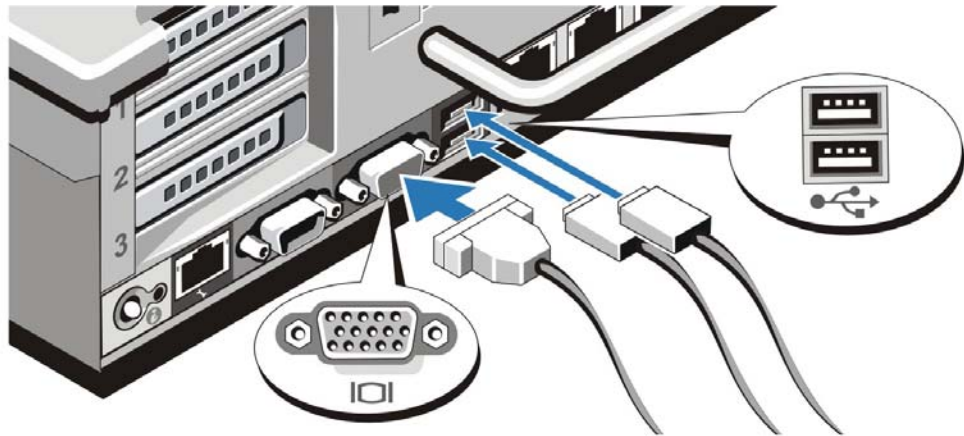


Figure 2-2. Connexion du clavier, de la souris et du moniteur

Connectez le clavier, la souris et le moniteur (facultatif).

Les connecteurs à l'arrière du système sont assortis d'icônes indiquant quels câbles brancher à chaque connecteur. Assurez-vous de serrer les vis (le cas échéant) sur le connecteur du câble du moniteur.

## 2.2.3 Branchement du ou des câbles d'alimentation

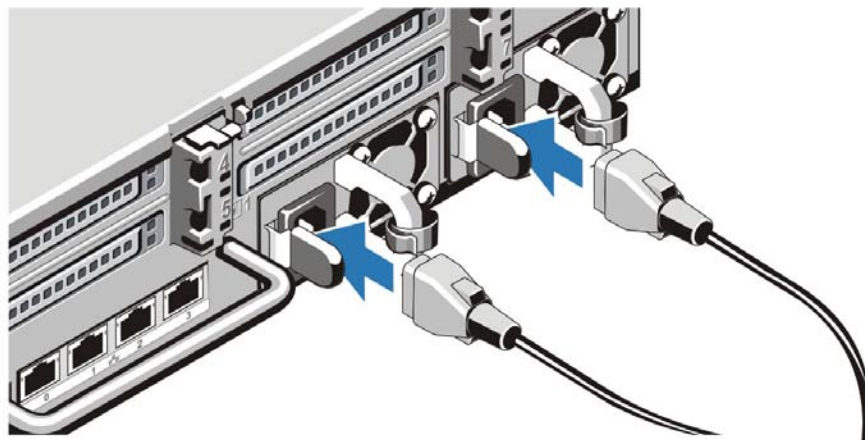


Figure 2-3. Branchement du ou des câbles d'alimentation

Connectez le ou les câbles d'alimentation au système et, si vous utilisez un moniteur, branchez son câble d'alimentation.

## 2.2.4 Sécurisation du ou des câbles d'alimentation



Figure 2-4. Sécurisation du ou des câbles d'alimentation

Faites une boucle comme indiqué dans l'illustration et attachez le(s) câble(s) d'alimentation du système au clip.

Branchez ensuite l'autre extrémité du ou des câbles sur une prise de courant mise à la terre ou sur une source d'alimentation autonome (onduleur ou unité de distribution de l'alimentation [PDU]).

## 2.2.5 Mise sous tension du système

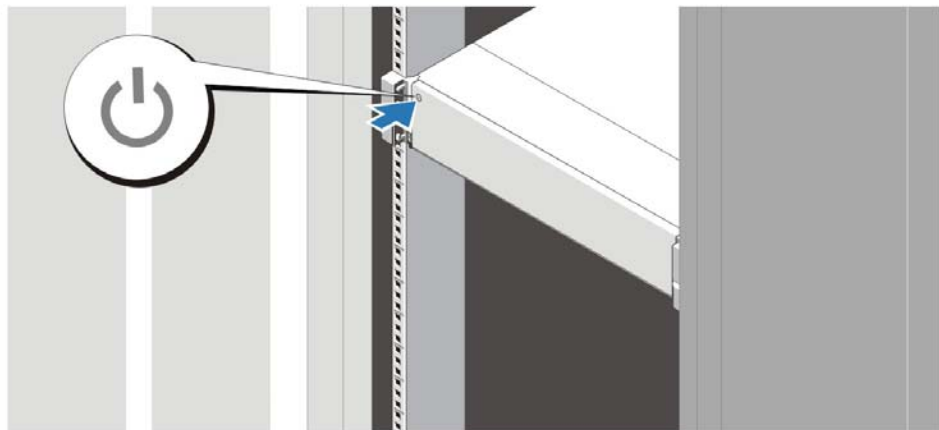


Figure 2-5. Mise sous tension du système

Appuyez sur le bouton d'alimentation du système. Le voyant d'alimentation devrait s'allumer

## 2.2.6 Installation de la façade en option

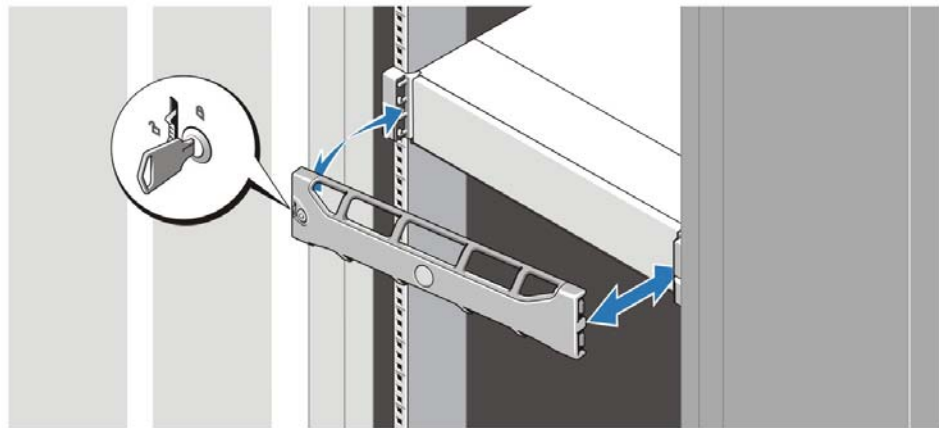


Figure 2-6. Installation du cadre  
Installez le cadre (facultatif).

## 2.3 Installation du système d'exploitation

Le serveur NovaScale R460 F3 dispose d'un utilitaire intégré: Le Lifecycle Controller - Unified Server Configurator, qui contient un assistant pour l'installation des systèmes d'exploitation.

Pour obtenir la liste des systèmes d'exploitation supportés, consultez les caractéristiques techniques du serveur sur le site [www.bull.com/novascale](http://www.bull.com/novascale).

- 
- Notes**
- La liste des systèmes d'exploitation qui peuvent être installés au moyen de l'utilitaire Lifecycle Controller peut être plus étendue que la liste des systèmes d'exploitation réellement supportés.
  - Consultez le site <http://support.bull.com> pour l'installation d'un système d'exploitation supporté, mais non présent dans la liste de l'utilitaire Lifecycle Controller. Pour l'installation d'une version Red Hat Enterprise Linux 6.x commandée auprès de Bull, vous pouvez utiliser le "Bull Installation Pack" (BIP) qui est fourni en accompagnement du média Redhat. Le Bip vous permet d'installer de manière automatique des packages de la distribution Redhat et de configurer votre serveur de manière optimale en un minimum de temps.  
Si vous décidez d'utiliser le BIP, n'utilisez pas le Lifecycle controller pour l'installation de votre version logiciel Redhat 6.x

---

Résidant sur une carte mémoire flash intégrée, le Lifecycle Controller est similaire à un utilitaire Bios dans la mesure où il peut être démarré lors de la séquence d'amorçage et fonctionner indépendamment du système d'exploitation installé.

Il fournit des pilotes qui peuvent être requis en vue de l'installation du système d'exploitation, selon le système d'exploitation que vous installez. L'Assistant **Déploiement du SE** extrait ces pilotes et les copie dans un répertoire de mise en attente. Tous les pilotes copiés par l'Assistant **Déploiement du SE** sont supprimés au bout de 18 heures ou quand vous appuyez sur la touche <F10> au redémarrage du serveur pour rentrer à nouveau dans l'utilitaire Lifecycle Controller.

- 
- Note** Durant la période de 18 heures au cours de laquelle les pilotes sont extraits vers l'emplacement temporaire, vous ne pouvez pas mettre à jour le firmware du Lifecycle controller, les pilotes ou les diagnostics à l'aide d'un progiciel Driver Update Package une fois le système d'exploitation installé. Dans ce cas, le progiciel Driver Update Package affichera un message indiquant qu'une autre session est ouverte.

---

Pour les systèmes d'exploitation Microsoft® Windows® supportés, et pour les systèmes d'exploitation Red Hat Enterprise Linux 6.x, ces pilotes extraits sont installés lors de l'installation du système d'exploitation.

Pour les systèmes d'exploitation VMware ESXi 5.x, si le média VMware utilisé lors de l'installation ne contient pas les pilotes requis pour le serveur, vous pouvez télécharger à partir du site <http://support.bull.com> une image ESXi 5.x créée par Bull susceptible de contenir des pilotes certifiés supplémentaires.

Avant d'installer le système d'exploitation, l'Assistant **Déploiement du SE** détecte si un périphérique d'amorçage est disponible. Un périphérique d'amorçage est un disque physique, un disque virtuel ou tout autre périphérique de stockage sur lequel le système d'exploitation peut être installé.

## 2.3.1 Procédure d'installation

1. Connectez au système le clavier, l'écran, la souris ainsi que tout autre périphérique supplémentaire.
2. Mettez sous tension le système et les périphériques connectés.
3. Appuyez sur <F10> lors de l'auto-test de démarrage pour lancer l'utilitaire Lifecycle controller.

---

**Note** Le message `Entering Lifecycle Controller` est affiché.

---

4. Cliquez sur **OS Deployment** (Déploiement du SE) dans le panneau de gauche.
5. Cliquez sur **Deploy OS** (Déployer le système d'exploitation) dans le panneau de droite.

- 
- Notes**
- Si votre système est muni d'un contrôleur RAID, vous avez la possibilité de lancer l'Assistant Configuration du RAID et de configurer un disque virtuel comme périphérique d'amorçage.
  - Si votre système ne dispose pas de contrôleur RAID, l'Assistant Déploiement du SE ignore l'option de configuration du RAID et passe directement à «Sélection d'un système d'exploitation»..
- 

6. Sélectionnez le système d'exploitation à installer et cliquez sur **Suivant**.
7. Le Lifecycle controller extrait les pilotes requis par le système d'exploitation que vous avez sélectionné. Les pilotes sont extraits sur un lecteur USB interne nommé **OEMDRV**.

- 
- Notes**
- Le processus d'extraction des pilotes peut prendre plusieurs minutes.
  - Tous les pilotes copiés par l'Assistant Déploiement du SE sont supprimés au bout de 18 heures. Vous devez terminer l'installation du système d'exploitation dans les 18 heures pour que les pilotes copiés restent disponibles.  
Pour supprimer les pilotes avant la période de 18 heures, redémarrez le serveurs et appuyez sur <F10> pour ré-entrer dans le Lifecycle controller.
- 

8. Choisissez le mode de démarrage, UEFI ou BIOS, pour le système d'exploitation sélectionné et cliquez sur **Suivant**.



9. Une fois les pilotes extraits, le Lifecycle controller vous invite à insérer le média d'installation du système d'exploitation.

---

**Note** Lors de l'installation du système d'exploitation Microsoft Windows, les pilotes extraits sont automatiquement installés.  
Lors de l'installation du système d'exploitation Redhat Enterprise Linux 6.x, les pilotes extraits sont automatiquement installés. Attention il y a un problème avec la version Redhat Enterprise Linux 6.1 qui affecte l'installation de ce système d'exploitation via le Lifecycle controller. Voir la rubrique « Installation des pilotes pour Redhat Enterprise Linux 6.1 ».

---

10. Insérez le média d'installation du système d'exploitation lorsque vous y êtes invité, puis cliquez sur **Suivant**.

---

**Note** Le Lifecycle controller prend en charge les lecteurs optiques SATA internes, les lecteurs optiques USB et les périphériques de média virtuel. Si le média d'installation est corrompu ou illisible, l'USC est alors dans l'incapacité de détecter la présence d'un lecteur optique pris en charge. Dans ce cas, vous recevrez un message d'erreur indiquant qu'aucun lecteur optique n'est disponible. Si le média n'est pas valide (s'il s'agit, par exemple, du mauvais CD ou DVD), un message vous demandant d'insérer le média d'installation adéquat s'affiche alors.

---

11. Cliquez sur **Terminer** pour réamorcer le système et continuer l'installation du système d'exploitation. Au réamorçage, le système s'amorce sur le média d'installation du système d'exploitation

---

**Notes**

- Lorsque le système se réamorce lorsque vous avez cliqué sur **Terminer**, un message peut vous demander d'appuyer sur une touche avant l'amorçage sur le média d'installation du système d'exploitation. Si vous n'appuyez sur aucune touche, le système s'amorce sur le disque dur et non sur le média d'installation du système d'exploitation.
- Si l'installation du système d'exploitation est interrompue et si le système se réamorce avant la fin de l'installation, un message peut vous demander d'appuyer sur une touche pour effectuer l'amorçage à partir du média d'installation du système d'exploitation.
- Vous pouvez annuler l'installation du système d'exploitation en appuyant sur la touche <F10>. Le fait d'appuyer sur la touche <F10> à n'importe quel moment au cours du processus d'installation ou lors du réamorçage entraîne la suppression des pilotes fournis par l'Assistant Déploiement du SE.

---



### ATTENTION

Pour contourner un problème lors de l'installation de Redhat Enterprise Linux 6.1 , vous devez installer manuellement les pilotes pour cette version de Redhat. Voir la rubrique « Installation des pilotes pour Redhat Enterprise Linux 6.1 ».

## 2.3.2 Installation des pilotes pour Redhat Enterprise Linux 6.1

Au redémarrage du serveur suivant la prise en compte du média Redhat Enterprise Linux 6.1 via le Lifecycle controller :

1. Pour l'installation en :
  - Mode Bios : Appuyez sur **<Tab>** pour éditer les options d'installation. Appuyez sur la barre d'espace et saisissez les options **dd updates** , la ligne de commande devient : `wmlinuz  
initrd=initrd.img dd updates`
  - - Mode UEFI : Appuyez sur **a** et saisissez la commande **dd updates**
2. Appuyez sur **<Entrée>**.
3. Pendant l'installation :
  - Si le disque de pilotes est automatiquement détecté, une fenêtre - *Driver disc detected* s'affiche :
    - i. La localisation du disque de pilotes correspond à l'emplacement de la partition OEMDRV.
    - ii. Sélectionnez **Use it** et appuyez sur **<Entrée>**
    - iii. Une fenêtre - *Do you have a driver disk?* s'affiche. Sélectionnez **No** et appuyez sur **<Entrée>**.
  - Si le disque de pilotes n'est pas automatiquement détecté :
    - i. Une fenêtre - *Do you have a driver disk?* s'affiche. Sélectionnez **Yes** et appuyez sur **<Entrée>**.
    - ii. Indiquez l'emplacement du disque de pilotes. La partition OEMDRV contient un fichier `driver_disk.iso`.
    - iii. Sélectionnez le fichier **driver\_disk.iso** pour charger les pilotes.
4. Une fenêtre – *Disc Found* , relative au média d'installation Redhat, s'affiche. Si vous souhaitez vérifier le média, sélectionnez **OK** sinon sélectionnez **Skip**, et appuyez sur **<Entrée>**.
5. Une fenêtre – *Update Disk Source*, demandant de spécifier la localisation du disque d'update, s'affiche.
6. Sélectionnez le disque associé à la partition OEMDRV et appuyez sur **OK**.
7. Une fenêtre – *Update Disk* s'affiche.
8. Appuyez sur **OK** et suivez les instructions pour terminer l'installation.

## 2.4 Autres informations utiles

---

**Note** Reportez-vous aux informations concernant la sécurité et les réglementations livrées avec votre système. Les informations sur la garantie peuvent être incluses dans ce document ou bien dans un document séparé.

---

- Le Manuel de l'utilisateur fournit des informations concernant les fonctionnalités du système et décrit comment dépanner le système et installer ou remplacer des composants système. Ce document est disponible en ligne à l'adresse <http://support.bull.com/documentation>.
  - La documentation fournie avec le rack indique comment installer le système dans un rack.
  - Tous les supports fournis avec le système contiennent de la documentation et des outils permettant de configurer et de gérer le système, notamment les supports du système d'exploitation, du logiciel de gestion du système, des mises à jour système et des composants système que vous avez achetés avec le système.
- 

**Note** Vérifiez toujours si des mises à jour sont disponibles sur le site <http://support.bull.com/documentation> et lisez les informations de mise à jour en premier, car elles remplacent souvent les informations que contiennent les autres documents.

---

## 2.5 Obtention d'une assistance technique

Si vous ne comprenez pas une procédure décrite dans ce guide ou si le système ne fonctionne pas comme prévu, reportez-vous au site <http://support.bull.com/documentation> pour toute documentation complémentaire, ou contactez votre représentant du support ; la liste des numéros de téléphone est disponible sur le site <http://support.bull.com>.

## 2.6 Caractéristiques techniques

**Note** Les caractéristiques suivantes se limitent à celles que la législation impose de fournir avec le système. Pour une liste complète des caractéristiques actuelles de votre ordinateur, consultez le site Web <http://www.bull.com/novascale>.

<b>Alimentation</b>	
<b>Bloc d'alimentation secteur (selon la tension en vigueur)</b>	
Puissance	495 W, 750 W ou 1100 W
Dissipation thermique Note: La dissipation thermique est calculée par rapport à la puissance nominale du bloc d'alimentation.	1908 BTU/h maximum (bloc d'alimentation 495 W) 2891 BTU/h maximum (bloc d'alimentation 750 W) 4100 BTU/h maximum (bloc d'alimentation 1100 W)
Tension Note : Ce système est également conçu pour être connecté aux systèmes d'alimentation informatiques avec une tension phase à phase ne devant pas dépasser 230 V.	100 à 240 VCA, à sélection automatique, 50/60 Hz
<b>Bloc d'alimentation secteur (selon la tension en vigueur) (si disponible)</b>	
Puissance	1100 W
Dissipation thermique Note: La dissipation thermique est calculée par rapport à la puissance nominale du bloc d'alimentation.	4416 BTU/h maximum
Tension	-(48 à 60) VCC
<b>Batterie</b>	
Pile bouton	Pile bouton 3 V CR2032 au lithium

<b>Caractéristiques physiques</b>		
Hauteur		87,3 mm (3,44 po)
Largeur		
	Avec loquets de rack	482,4 mm (18,98 po)
	Sans loquets de rack	444 mm (17,08 po)
Profondeur (cadre inclus)		755,8 mm (29,75 po)
Poids (maximal)		
	Systèmes de disque dur de 2,5 pouces	29,5 kg (64,9 livres)
	Systèmes de disque dur de 3,5 pouces	29,2 kg (64,3 livres)
Poids (à vide)		
	Systèmes de disque dur de 2,5 pouces	11,7 kg (25,7 livres)
	Systèmes de disque dur de 3,5 pouces	10,3 kg (22,7 livres)

<b>Conditions environnementales</b>	
<p>Note: Pour en savoir plus sur les mesures d'exploitation liées à différentes configurations spécifiques, rendez-vous sur <a href="http://www.bull.com/novascale">http://www.bull.com/novascale</a>.</p>	
<b>Température</b>	
En fonctionnement	<p>Fonctionnement continu : 10 °C à 35 °C avec une humidité relative (HR) de 10 à 80 %, avec point de rosée maximum à 26°C. Réduction maximale admissible de la température sèche à 1 °C/300 m au-dessus de 900 m (1°F par 550 pieds).</p> <p>Note : Lors de l'utilisation du NovaScale R460 F3 avec des cartes GPGPU internes, la plage de fonctionnement continu va de 10 to 30 °C à un RH de 10 à 80%, avec un point de rosée maximal de 26 °C.</p>
Stockage	De -40 à 65 °C (de -40 à 149 °F) avec un gradient thermique maximal de 20 °C par heure
<b>Humidité relative</b>	
En fonctionnement	20 à 80 % (sans condensation) à une température mesurée (par thermomètre "wet bulb") de 29 °C (84,2°F)
Stockage	5 à 95 % (sans condensation) à une température mesurée (par thermomètre "wet bulb") de 38 °C (100,4°F)
<b>Tolérance maximale aux vibrations</b>	
En fonctionnement	0,26 Grms à 5–350 Hz (toutes orientations de fonctionnement)
Stockage	1,87 Grms à 10–500 Hz pendant 15 min (testé sur les six côtés)

<b>Conditions environnementales</b>	
<b>Choc maximal</b>	
En fonctionnement	Une impulsion de choc de 31 G de chaque côté du système, pendant 2,6 ms sur l'axe z positif (système installé dans la position de fonctionnement)
Stockage	Six chocs consécutifs de 71 G pendant un maximum de 2 ms en positif et négatif sur les axes x, y et z (une impulsion de chaque côté du système) Six chocs consécutifs sur les axes x, y et z en positif et négatif (une impulsion de chaque côté du système) d'impulsion d'onde carrée de 32 G avec un changement de vitesse de 685 cm/s (270po/s)
<b>Altitude</b>	
En fonctionnement	De -15,2 m à 3 048 m Note : Pour les altitudes supérieures à 900 mètres (2 950 pieds), la température maximale de fonctionnement est réduite de 0,55 °C (1 °F).
Stockage	De -15,2 m à 10 668 m
<b>Niveau de contaminants atmosphériques</b>	
Classe	G1 selon la norme ISA-S71.04-1985



BULL CEDOC  
357 AVENUE PATTON  
B.P.20845  
49008 ANGERS CEDEX 01  
FRANCE

REFERENCE  
86 X1 55FH 01