

# NovaScale T810 F2

## Hardware Owner's Manual

NOVASCALÉ



REFERENCE  
86 A1 77FD 00



# NOVASCALÉ

# NovaScale T810 F2

## Hardware Owner's Manual

**Hardware**

December 2009

BULL CEDOC  
357 AVENUE PATTON  
B.P.20845  
49008 ANGERS CEDEX 01  
FRANCE

**REFERENCE**  
86 A1 77FD 00

The following copyright notice protects this book under Copyright laws which prohibit such actions as, but not limited to, copying, distributing, modifying, and making derivative works.

Copyright © Bull SAS 2009

## Trademarks and Acknowledgements

Citrix and XenServer are trademarks of Citrix Systems, Inc. and/or more of its subsidiaries, and may be registered in the United States

Patent and Trademark Office and in other countries. Intel and Xeon are registered trademarks of Intel Corporation in the U.S. and other countries; Microsoft, Hyper-V, Windows, and Windows Server are either trademarks or registered trademarks of Microsoft Corporation in the United States and/or other countries. Red Hat and Enterprise Linux are registered trademarks of Red Hat, Inc. in the United States and other countries; SUSE is a registered trademark of Novell, Inc., in the United States and other countries. VMware is a registered trademark of VMware, Inc. in the United States and/or other jurisdictions.

Other trademarks and trade names may be used in this document to refer to either the entities claiming the marks and names or their products. Bull disclaims any proprietary interest in trademarks and trade names other than its own.

We acknowledge the rights of the proprietors of the trademarks mentioned in this manual.

All brand names and software and hardware product names are subject to trademark and/or patent protection.

*Quoting of brand and product names is for information purposes only and does not represent trademark misuse.*

*The information in this document is subject to change without notice. Bull will not be liable for errors contained herein, or for incidental or consequential damages in connection with the use of this material.*

# Contents

<b>1</b>	<b>About Your System</b>	<b>9</b>
	Accessing System Features During Startup	9
	Front-Panel Features and Indicators	10
	Back-Panel Features and Indicators	12
	Guidelines for Connecting External Devices	13
	NIC Indicator Codes	14
	Power Selection	15
	Diagnostic Lights	16
	System Messages	18
	Warning Messages	31
	Diagnostics Messages	31
	Alert Messages	31
	Other Information You May Need	31
<b>2</b>	<b>Using the System Setup Program and UEFI Boot Manager</b>	<b>33</b>
	Choosing the System Boot Mode	33
	Entering the System Setup Program	34
	Responding to Error Messages	34

Using the System Setup Program Navigation Keys	34
System Setup Options	35
Main Screen	35
Memory Settings Screen	37
Processor Settings Screen	37
SATA Settings Screen	38
Boot Settings Screen	39
Integrated Devices Screen	40
PCI IRQ Assignments Screen	41
Serial Communication Screen	41
Power Management Screen	42
System Security Screen	43
Exit Screen	45
Entering the UEFI Boot Manager	45
Using the UEFI Boot Manager Navigation Keys	45
UEFI Boot Manager Screen	46
UEFI Boot Settings Screen	46
System Utilities Screen	47
System and Setup Password Features	47
Using the System Password	47
Using the Setup Password	50
Embedded System Management	51
Baseboard Management Controller Configuration	52
Entering the BMC Setup Module	52
<b>3 Installing System Components</b>	<b>53</b>
Recommended Tools	53
Inside the System	54

Opening and Closing the System . . . . .	55
Opening the System . . . . .	55
Closing the System. . . . .	56
Front Bezel . . . . .	57
Removing the Front Bezel . . . . .	57
Installing the Front Bezel . . . . .	58
Removing Front Bezel Insert. . . . .	58
Installing Front Bezel Insert . . . . .	59
EMI Filler Panel . . . . .	59
Removing an EMI Filler Panel. . . . .	59
Installing an EMI Filler Panel . . . . .	60
Optical and Tape Drives (Optional) . . . . .	61
Removing an Optical or Tape Drive . . . . .	61
Installing an Optical or Tape Drive . . . . .	64
Hard Drives . . . . .	66
Hard Drive Installation Guidelines . . . . .	66
Removing a Hard Drive . . . . .	66
Installing a Hard Drive. . . . .	68
Removing a Hard Drive from a Hard-Drive Bracket . . . . .	69
Expansion Card Stabilizer. . . . .	70
Removing the Expansion Card Stabilizer . . . . .	70
Installing the Expansion Card Stabilizer . . . . .	70
Cooling Shroud . . . . .	71
Removing the Cooling Shroud. . . . .	71
Installing the Cooling Shroud . . . . .	72
Expansion Cards . . . . .	73
Expansion Card Installation Guidelines . . . . .	73
Removing an Expansion Card . . . . .	74
Installing an Expansion Card. . . . .	76

SAS Controller Expansion Card . . . . .	77
System Memory . . . . .	78
General Memory Module Installation Guidelines	78
Mode-Specific Guidelines . . . . .	78
Removing Memory Modules . . . . .	80
Installing Memory Modules . . . . .	81
Processor . . . . .	83
Removing the Processor . . . . .	83
Installing a Processor . . . . .	86
Cooling Fan . . . . .	87
Removing the Cooling Fan . . . . .	87
Installing the Cooling Fan . . . . .	88
System Battery . . . . .	89
Replacing the System Battery . . . . .	89
Power Supply . . . . .	91
Removing the Power Supply . . . . .	91
Installing the Power Supply . . . . .	92
Internal USB Memory Key . . . . .	93
Chassis Intrusion Switch . . . . .	94
Removing the Chassis Intrusion Switch . . . . .	94
Installing the Chassis Intrusion Switch . . . . .	95
Control Panel Assembly . . . . .	96
Removing the Control Panel Assembly . . . . .	96
Installing the Control Panel Assembly . . . . .	98
System Board . . . . .	99
Removing the System Board . . . . .	99
Installing the System Board . . . . .	100



4	Troubleshooting Your System . . . . .	103
	Safety First—For You and Your System. . . . .	103
	Troubleshooting System Startup Failure. . . . .	103
	Troubleshooting External Connections . . . . .	103
	Troubleshooting the Video Subsystem . . . . .	103
	Troubleshooting a USB Device . . . . .	104
	Troubleshooting a Serial I/O Device . . . . .	105
	Troubleshooting a NIC . . . . .	105
	Troubleshooting a Wet System . . . . .	106
	Troubleshooting a Damaged System . . . . .	107
	Troubleshooting the System Battery. . . . .	108
	Troubleshooting Power Supply . . . . .	109
	Troubleshooting System Cooling Problems . . . . .	109
	Troubleshooting Cooling Fan . . . . .	110
	Troubleshooting System Memory . . . . .	111
	Troubleshooting an Internal USB Key. . . . .	112
	Troubleshooting an Optical Drive . . . . .	113
	Troubleshooting a Tape Backup Unit . . . . .	114
	Troubleshooting a Hard Drive. . . . .	115
	Troubleshooting Expansion Cards. . . . .	116
	Troubleshooting the Processor . . . . .	117

<b>5</b>	<b>Running the System Diagnostics . . . . .</b>	<b>119</b>
	Using Online Diagnostics . . . . .	119
	Embedded System Diagnostics Features . . . . .	119
	When to Use the Embedded System Diagnostics . . . . .	120
	Running the Embedded System Diagnostics . . . . .	120
	System Diagnostics Testing Options . . . . .	120
	Using the Custom Test Options . . . . .	121
	Selecting Devices for Testing . . . . .	121
	Selecting Diagnostics Options . . . . .	121
	Viewing Information and Results . . . . .	122
<b>6</b>	<b>Jumpers and Connectors . . . . .</b>	<b>123</b>
	System Board Jumper . . . . .	123
	System Board Connectors . . . . .	124
	Disabling a Forgotten Password . . . . .	126
<b>7</b>	<b>Getting Help . . . . .</b>	<b>127</b>
	Contacting Bull . . . . .	127
	. . . . .	127
	<b>Glossary . . . . .</b>	<b>129</b>
	<b>Index . . . . .</b>	<b>137</b>





# About Your System

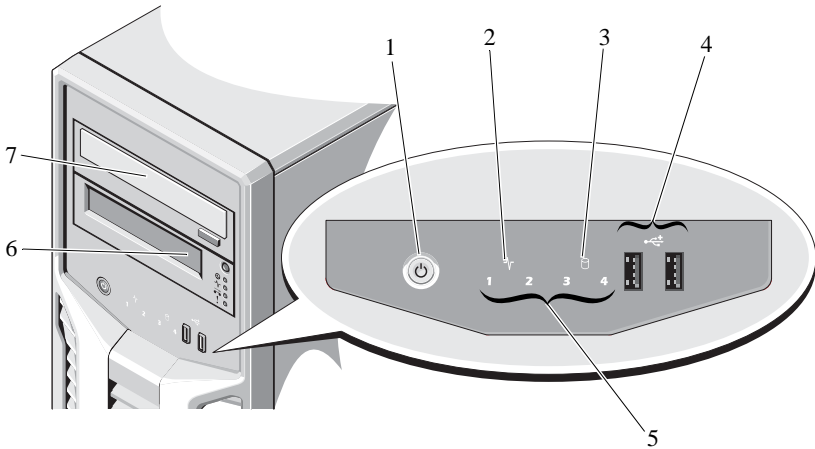
## Accessing System Features During Startup


The following keystrokes provide access to system features during startup:




Keystroke	Description
<F2>	Enters the System Setup program. See "Using the System Setup Program and UEFI Boot Manager" on page 33.
<F10>	Enters System Services, which opens the Unified Server Configurator (USC). The USC allows you to access utilities such as embedded system diagnostics. For more information, see the USC documentation.
<F11>	Enters the BIOS Boot Manager or the Unified Extensible Firmware Interface (UEFI) Boot Manager, depending on the system's boot configuration. See "Using the System Setup Program and UEFI Boot Manager" on page 33.
<F12>	Starts Preboot eXecution Environment (PXE) boot.
<Ctrl><E>	Enters the Baseboard Management Controller (BMC) Configuration Utility, which allows access to the System Event Log (SEL) and configuration of remote access to the system. For more information, see the BMC user documentation.
<Ctrl><C>	Enters the SAS Configuration Utility. For more information, see the SAS adapter documentation.
<Ctrl><R>	Enters the PERC configuration utility. For more information, see the PERC card documentation.
<Ctrl><S>	Enters the utility to configure NIC settings for PXE boot. For more information, see the documentation for your integrated NIC.

# Front-Panel Features and Indicators

Figure 1-1. Front Panel Features and Indicators

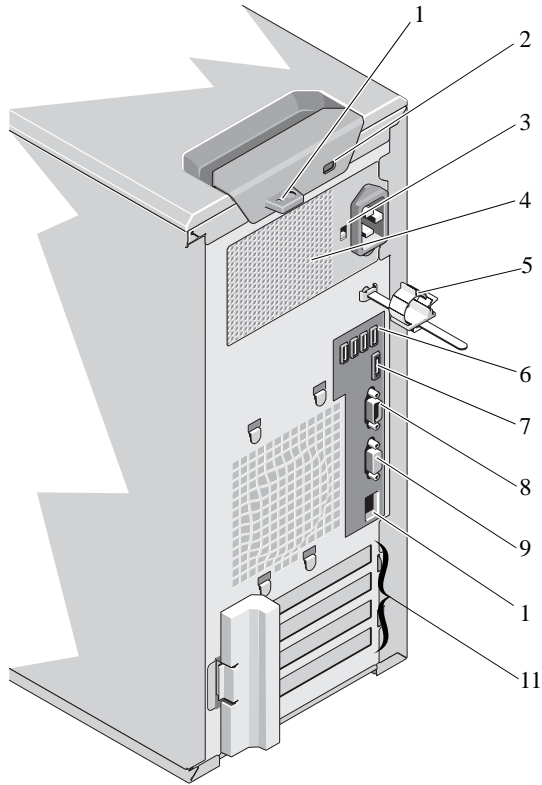


Item	Indicator, Button, or Connector	Icon	Description
1	Power-on indicator, power button		<p>The power-on indicator lights when the system power is on.</p> <p>The power button controls the DC power supply output to the system.</p> <p><b>NOTE:</b> When powering on the system, the video monitor can take from several seconds to over 2 minutes to display an image, depending on the amount of memory installed in the system.</p> <p><b>NOTE:</b> On ACPI-compliant operating systems, turning off the system using the power button causes the system to perform a graceful shutdown before power to the system is turned off.</p>

Item	Indicator, Button, or Connector	Icon	Description
2	System health indicator		The system health indicator blinks amber when a system fault is detected.
3	Hard drive activity indicator		The hard drive activity indicator lights up when the hard drive is in use.
4	USB connectors (2)		Connects USB devices to the system. The ports are USB 2.0-compliant.
5	Diagnostic indicator lights (4)		The four diagnostic indicator lights display error codes during system startup. See "Diagnostic Lights" on page 16.
6	Tape drive (optional)		One optional half-height (using one drive bay).
7	Optical drive (optional)		One optional SATA DVD-ROM drive or DVD+/-RW drive. NOTE: DVD devices are data only.





# Back-Panel Features and Indicators

Figure 1-2. Back-Panel Features and Indicators



Item	Indicator, Button, or Connector	Icon	Description
1	Padlock ring		Locks the cover release latch.
2	Security cable slot		Connects a cable lock to the system.
3	Voltage selection switch		Sets the voltage for the power supply to the voltage that most closely matches the AC power available at your location.



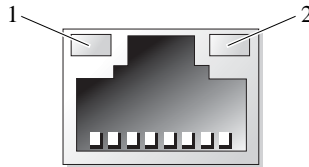
Item	Indicator, Button, or Connector	Icon	Description
4	Power supply		305 W power supply.
5	Cable clasp		Secures the power cable.
6	USB connectors (4)		Connects USB devices to the system. The ports are USB 2.0-compliant.
7	eSATA connector	eSATA	Connects additional storage devices.
8	Serial connector		Connects a serial device to the system.
9	Video connector		Connects a VGA display to the system.
10	Ethernet connector		Integrated 10/100/1000 NIC connector.
11	PCIe expansion card slots (4)		Connects up to four PCI Express expansion cards.

## Guidelines for Connecting External Devices

- Turn off power to the system and external devices before attaching a new external device. Turn on any external devices before turning on the system (unless the documentation for the device specifies otherwise).
- Ensure that the appropriate driver for the attached device has been installed on the system.
- If necessary to enable ports on your system, use the System Setup program. See "Using the System Setup Program and UEFI Boot Manager" on page 33.

# NIC Indicator Codes

Figure 1-3. NIC Indicator Codes



1 link indicator

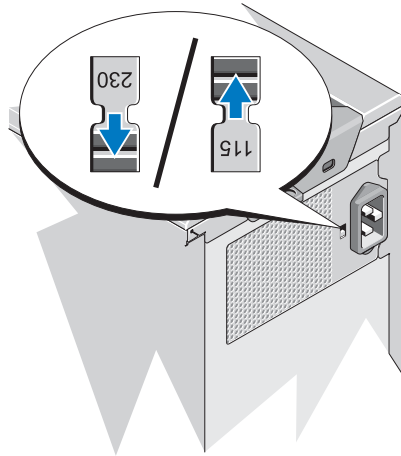
2 activity indicator

Indicator	Indicator Code
Link and activity indicators are off	The NIC is not connected to the network.
Link indicator is green	The NIC is connected to a valid network link at 1000 Mbps.
Link indicator is amber	The NIC is connected to a valid network link at 10/100 Mbps.
Activity indicator is green blinking	Network data is being sent or received.

# Power Selection

The voltage selection switch on the back panel of the system allows you to select one of two primary voltage inputs.

Figure 1-4. Power Selection Switch



**CAUTION:** Be sure to set the voltage selection switch on the power supply for the voltage that most closely matches the AC power available at your location.

Ensure that the switch is set to the proper voltage according to Table 1-1.







Table 1-1. Voltage Selection Switch

If your power source is:	The voltage selection switch should be set to:
110 V	115
220 V	230

# Diagnostic Lights

The four diagnostic indicator lights on the system front panel display error codes during system startup. Table 1-2 lists the causes and possible corrective actions associated with these codes. A highlighted circle indicates the light is on; a non-highlighted circle indicates the light is off.


Table 1-2. Diagnostic Indicator Code

Code	Causes	Corrective Action
	<p>The system is in a normal off condition or a possible pre-BIOS failure has occurred.</p> <p>The diagnostic lights are not lit after the system successfully boots to the operating system.</p> <p>The system is in a normal operating condition after POST.</p>	<p>Plug the system into a working electrical outlet and press the power button.</p> <p>Information only.</p>
	<p>BIOS checksum failure detected; system is in recovery mode.</p>	<p>See "Getting Help" on page 127.</p>
	<p>Possible processor failure.</p>	<p>See "Troubleshooting the Processor" on page 117.</p>
	<p>Memory failure.</p>	<p>See "Troubleshooting System Memory" on page 111.</p>
	<p>Possible expansion card failure.</p>	<p>See "Troubleshooting Expansion Cards" on page 116.</p>
	<p>Possible video failure.</p>	<p>See "Getting Help" on page 127.</p>

Code	Causes	Corrective Action
① ② ③ ④	Hard drive failure.	Ensure that the hard drives are properly connected. See "Hard Drives" on page 66 for information on the drives installed in your system.
① ② ③ ④	Possible USB failure.	See "Troubleshooting a USB Device" on page 104.
① ② ③ ④	No memory modules detected.	See "Troubleshooting System Memory" on page 111.
① ② ③ ④	System board failure.	See "Getting Help" on page 127.
① ② ③ ④	Memory configuration error.	See "Troubleshooting System Memory" on page 111.
① ② ③ ④	Possible system board resource and/or system board hardware failure.	See "Getting Help" on page 127.
① ② ③ ④	Possible system resource configuration error.	See "Getting Help" on page 127.
① ② ③ ④	Other failure.	Ensure that the optical drive and hard drives are properly connected. See "Troubleshooting Your System" on page 103 for the appropriate drive installed in your system. If the problem persists, see "Getting Help" on page 127.

# System Messages

System messages appear on the screen to notify you of a possible problem with the system.

 **NOTE:** If you receive a system message not listed in the table, check the documentation for the application that is running when the message appears or the operating system's documentation for an explanation of the message and recommended action.

Message	Causes	Corrective Actions
Alert! BMC not responding. Rebooting.	The BMC is not responding to BIOS communication either because it is not functioning properly or has not completed initialization. The system reboots.	Wait for the system to reboot.
Alert! BMC not responding. Power required may exceed PSU wattage. Alert! Continuing system boot accepts the risk that system may power down without warning.	The BMC is hung. The BMC was remotely reset while system was booting. After AC recovery, the BMC takes longer than normal to boot.	Remove AC power to the system for 10 seconds and restart the system.

Message	Causes	Corrective Actions
Alert! Power required exceeds PSU wattage. Check PSU and system configuration. Alert! Continuing system boot accepts the risk that system may power down without warning.	The system configuration of processor, memory modules, and expansion cards may not be supported by the power supply.	If any system components were just upgraded, return the system to the previous configuration. If the system boots without this warning, then the replaced component(s) are not supported with this power supply. See "Power Supply" on page 91.
Alert! System fatal error during previous boot.	An error caused the system to reboot.	Check other system messages for additional information for possible causes.
BIOS MANUFACTURING MODE detected. MANUFACTURING MODE will be cleared before the next boot. System reboot required for normal operation.	System is in manufacturing mode.	Reboot to take the system out of manufacturing mode.
BIOS Update Attempt Failed!	Remote BIOS update attempt failed.	Retry the BIOS update. If problem persists, see "Getting Help" on page 127.

Message	Causes	Corrective Actions
Caution! NVRAM_CLR jumper is installed on system board. Please run SETUP.	NVRAM_CLR jumper is installed in the clear setting. CMOS has been cleared.	Move the NVRAM_CLR jumper to the default position (pins 3 and 5). See Figure 6-1 for jumper location. Restart the system and re-enter the BIOS settings. See "Using the System Setup Program and UEFI Boot Manager" on page 33.
CPU set to minimum frequency.	The processor speed may be intentionally set lower for power conservation.	If not an intentional setting, check other system messages for possible causes.
Current boot mode is set to UEFI. Please ensure compatible bootable media is available. Use the system setup program to change the boot mode as needed.	The system failed to boot because UEFI boot mode is enabled in BIOS and the boot operating system is non-UEFI.	Ensure that the boot mode is set correctly and that the proper bootable media is available. See "Using the System Setup Program and UEFI Boot Manager" on page 33.
Decreasing available memory.	Faulty or improperly installed memory modules.	Reseat the memory modules. See "Troubleshooting System Memory" on page 111.
Embedded NICx and NICy: OS NIC=<ENABLED /DISABLED>, Management Shared NIC= <ENABLED /DISABLED>	The operating system NIC interface is set in BIOS. The Management Shared NIC interface is set in management tools.	Check the system management software or the System Setup program for NIC settings. If a problem is indicated, see "Troubleshooting a NIC" on page 105.



Message	Causes	Corrective Actions
Error 8602 - Auxiliary Device Failure. Verify that mouse and keyboard are securely attached to correct connectors.	<p>Mouse or keyboard cable is loose or improperly connected.</p> <p>Defective mouse or keyboard.</p>	<p>Reseat the mouse or keyboard cable.</p> <p>Ensure that the mouse or keyboard is operational. See "Troubleshooting a USB Device" on page 104.</p>
Gate A20 failure.	Faulty keyboard controller; faulty system board.	See "Getting Help" on page 127.
General failure.	The operating system is unable to carry out the command.	This message is usually followed by specific information. Note the information, and take the appropriate action to resolve the problem.
Invalid configuration information - please run SETUP program.	An invalid system configuration caused a system to halt.	Run the System Setup program and review the current settings. See "Using the System Setup Program and UEFI Boot Manager" on page 33.
Keyboard controller failure.	Faulty keyboard controller; faulty system board.	See "Getting Help" on page 127.
Keyboard data line failure. Keyboard stuck key failure.	Keyboard cable connector is improperly connected or the keyboard is defective.	Reseat the keyboard cable. If the problem persists, see "Troubleshooting a USB Device" on page 104.
Keyboard fuse has failed.	Overcurrent detected at the keyboard connector.	See "Getting Help" on page 127.

Message	Causes	Corrective Actions
Local keyboard may not work because all user accessible USB ports are disabled. If operating locally, power cycle the system and enter system setup program to change settings.	The USB ports are disabled in the system BIOS.	Power down and restart the system from the power button, and then enter the System Setup program to enable the USB port(s). See "Entering the System Setup Program" on page 34.
Manufacturing mode detected.	System is in manufacturing mode.	Reboot to take the system out of manufacturing mode.
Maximum rank count exceeded. The following DIMM has been disabled: x	Invalid memory configuration. The system will run but with the specified memory module disabled.	Ensure that the memory modules are installed in a valid configuration. See "General Memory Module Installation Guidelines" on page 78.
Memory address line failure at <i>address</i> , read <i>value</i> expecting <i>value</i> .	Faulty or improperly installed memory modules.	See "Troubleshooting System Memory" on page 111.
Memory double word logic failure at <i>address</i> , read <i>value</i> expecting <i>value</i> .	Faulty or improperly installed memory modules.	See "Troubleshooting System Memory" on page 111.
Memory Initialization Warning: Memory size may be reduced.	Invalid memory configuration. The system will run but with less memory than is physically available.	Ensure that the memory modules are installed in a valid configuration. See "General Memory Module Installation Guidelines" on page 78.

Message	Causes	Corrective Actions
Memory odd/even logic failure at <i>address</i> , read value expecting <i>value</i> .	Faulty or improperly installed memory modules.	See "Troubleshooting System Memory" on page 111.
Memory write/read failure at <i>address</i> , read value expecting <i>value</i> .	Faulty or improperly installed memory modules.	See "Troubleshooting System Memory" on page 111.
Memory set to minimum frequency.	<p>The memory frequency may be intentionally set lower for power conservation.</p> <p>The current memory configuration may support only the minimum frequency.</p>	<p>If not an intentional setting, check any other system messages for possible causes.</p> <p>Ensure that your memory configuration supports the higher frequency. See "General Memory Module Installation Guidelines" on page 78.</p>
Memory tests terminated by keystroke.	POST memory test was terminated by pressing the spacebar.	Information only.
MEMTEST lane failure detected on <i>x</i> .	Invalid memory configuration. A mismatched memory module is installed.	Ensure that the memory modules are installed in a valid configuration. See "General Memory Module Installation Guidelines" on page 78.

Message	Causes	Corrective Actions
No boot device available.	Faulty or missing optical drive subsystem, hard drive, or hard-drive subsystem, or no bootable USB key installed.	Use a bootable USB key, CD, or hard drive. If the problem persists, see "Troubleshooting a USB Device" on page 104, "Troubleshooting an Optical Drive" on page 113, and "Troubleshooting a Hard Drive" on page 115. See "Using the System Setup Program and UEFI Boot Manager" on page 33 for information on setting the order of boot devices.
No boot sector on hard drive.	Incorrect configuration settings in System Setup program, or no operating system on hard drive.	Check the hard-drive configuration settings in the System Setup program. See "Using the System Setup Program and UEFI Boot Manager" on page 33. If necessary, install the operating system on your hard drive. See your operating system documentation.
No timer tick interrupt.	Faulty system board.	See "Getting Help" on page 127.
PCI BIOS failed to install.	PCIe device BIOS (Option ROM) checksum failure detected during shadowing. Cables to expansion card(s) loose; faulty or improperly installed expansion card(s).	Reseat the expansion card(s). Ensure that all appropriate cables are securely connected to the expansion card(s). If the problem persists, see "Troubleshooting Expansion Cards" on page 116.
PCIe Training Error: Expected Link Width is x, Actual Link Width is y.	Faulty or improperly installed PCIe card in the specified slot.	Reseat the PCIe card in the specified slot number. See "Troubleshooting Expansion Cards" on page 116. If the problem persists, see "Getting Help" on page 127.

Message	Causes	Corrective Actions
Plug & Play Configuration Error.	Error encountered in initializing PCIe device; faulty system board.	Install the NVRAM_CLR jumper in the clear position (pins 1 and 3) and reboot the system. See Figure 6-1 for jumper location. If the problem persists, see "Troubleshooting Expansion Cards" on page 116.
Quad rank DIMM detected after single rank or dual rank DIMM in socket.	Invalid memory configuration.	Ensure that the memory modules are installed in a valid configuration. See "General Memory Module Installation Guidelines" on page 78.
Read fault. Requested sector not found.	The operating system cannot read from the hard drive, optical drive, or USB device; the system could not find a particular sector on the disk, or the requested sector is defective.	Replace the optical medium, USB medium or device. Ensure that the USB or SATA cables are properly connected. See "Troubleshooting a USB Device" on page 104, "Troubleshooting an Optical Drive" on page 113, and "Troubleshooting a Hard Drive" on page 115 for the appropriate drive(s) installed in your system.
SATA Port x device not found.	There is no device connected to the specified SATA port.	Information only.
SATA port x device auto-sensing error. SATA port x device configuration error. SATA port x device error.	The drive connected to the specified SATA port is faulty.	Replace the faulty drive.

Message	Causes	Corrective Actions
Sector not found. Seek error. Seek operation failed.	Faulty hard drive, USB device or medium.	Replace the USB medium or device. Ensure that the USB cables are properly connected. See "Troubleshooting a USB Device" on page 104 or "Troubleshooting a Hard Drive" on page 115 for the appropriate drive(s) installed in your system.
Shutdown failure.	General system error.	See "Getting Help" on page 127.
The amount of system memory has changed.	Memory has been added or removed or a memory module may be faulty.	If memory has been added or removed, this message is informative and can be ignored. If memory has not been added or removed, check the SEL to determine if single-bit or multi-bit errors were detected and replace the faulty memory module. See "Troubleshooting System Memory" on page 111.

Message	Causes	Corrective Actions
<p>The following DIMMs should match in geometry: x,x,...</p> <p>The following DIMMs should match in rank count: x,x,...</p> <p>The following DIMMs should match in size: x,x,...</p> <p>The following DIMMs should match in size and geometry: x,x,...</p> <p>The following DIMMs should match in size and rank count: x,x,...</p>	<p>Invalid memory configuration. The specified memory modules do not match in size, number of ranks, or number of data lanes.</p>	<p>Ensure that the memory modules are installed in a valid configuration. See "General Memory Module Installation Guidelines" on page 78.</p>
<p>Thermal sensor not detected on x.</p>	<p>A memory module without a thermal sensor is installed in the specified memory slot.</p>	<p>Replace the memory module. See "System Memory" on page 78.</p>
<p>Time-of-day clock stopped.</p>	<p>Faulty battery or faulty chip.</p>	<p>See "Troubleshooting the System Battery" on page 108.</p>
<p>Time-of-day not set - please run SETUP program.</p>	<p>Incorrect Time or Date settings; faulty system battery.</p>	<p>Check the Time and Date settings. See "Using the System Setup Program and UEFI Boot Manager" on page 33. If the problem persists, replace the system battery. See "System Battery" on page 89.</p>

Message	Causes	Corrective Actions
Timer chip counter 2 failed.	Faulty system board.	See "Getting Help" on page 127.
TPM configuration operation honored. System will now reset.	A Trusted Platform Module (TPM) configuration command has been entered. The system will reboot and execute the command.	Information only.
TPM configuration operation is pending. Press (I) to Ignore OR (M) to Modify to allow this change and reset the system.  WARNING: Modifying could prevent security.	This message displays during system restart after a TPM configuration command has been entered. User interaction is required to proceed.	Enter I or M to proceed.
TPM failure.	A TPM function has failed.	See "Getting Help" on page 127.
Unable to launch System Services image. System halted!	System halted after F10 keystroke because System Services image is either corrupted in the system firmware or has been lost due to system board replacement.	Restart the system and update the USC repository to the latest software to restore full functionality. See the USC user documentation for more information.
Unexpected interrupt in protected mode.	Improperly seated memory modules or faulty keyboard or mouse controller chip.	Reseat the memory modules. See "Troubleshooting System Memory" on page 111. If the problem persists, see "Getting Help" on page 127.




Message	Causes	Corrective Actions
Unsupported DIMM detected. The following DIMM has been disabled: x	Invalid memory configuration. The system will run but with the specified memory module disabled.	Ensure that the memory modules are installed in a valid configuration. See "General Memory Module Installation Guidelines" on page 78.
Unsupported memory configuration. DIMM mismatch across slots detected: x, x, ...	Invalid memory configuration. Memory modules are mismatched in the specified slots.	Ensure that the memory modules are installed in a valid configuration. See "General Memory Module Installation Guidelines" on page 78.
Warning: A fatal error has caused system reset! Please check the system event log!	A fatal system error occurred and caused the system to reboot.	Check the SEL for information that was logged during the error. See the applicable troubleshooting section in "Troubleshooting Your System" on page 103 for any faulty components specified in the SEL.
Warning: Control Panel is not installed.	The control panel is not installed or has a faulty cable connection.	Install the control panel, or check the cable connections between the display module, the control panel board, and the system board. See "Control Panel Assembly" on page 96.
Warning! No micro code update loaded for processor n.	Micro code update failed.	Update the BIOS firmware. See "Getting Help" on page 127.

Message	Causes	Corrective Actions
Warning! Power required exceeds PSU wattage. Check PSU and system configuration.  Warning! Performance degraded. CPU and memory set to minimum frequencies to meet PSU wattage. System will reboot.	The system configuration of the processor, memory modules, and expansion cards may not be supported by the power supplies.	If any system components were just upgraded, return the system to the previous configuration. If the system boots without this warning, then the replaced component(s) are not supported with this power supply. See "Power Supply" on page 91.
Warning! Unsupported memory configuration detected. The memory configuration is not optimal. The recommended memory configuration is: <message>.	Invalid memory configuration. The system will run but with reduced functionality.	Ensure that the memory modules are installed in a valid configuration. See "General Memory Module Installation Guidelines" on page 78. If the problem persists, see "Troubleshooting System Memory" on page 111.
Write fault.  Write fault on selected drive.	Faulty USB device, USB medium, optical drive assembly, hard drive, or hard-drive subsystem.	Replace the USB medium or device. Ensure that the USB or SATA cables are properly connected. See "Troubleshooting a USB Device" on page 104 and "Troubleshooting a Hard Drive" on page 115.

NOTE: For the full name of an abbreviation or acronym used in this table, see "Glossary" on page 129.

## Warning Messages

A warning message alerts you to a possible problem and prompts you to respond before the system continues a task. For example, before you format a hard drive, a message warns you that you may lose all data on the hard drive. Warning messages usually interrupt the task and require you to respond by typing *y* (yes) or *n* (no).

 **NOTE:** Warning messages are generated by either the application or the operating system. For more information, see the documentation that accompanied the operating system or application.


## Diagnostics Messages

The system diagnostic utilities may issue messages if you run diagnostic tests on your system. See "Running the System Diagnostics" on page 119 for more information about system diagnostics.


## Alert Messages

Systems management software generates alert messages for your system. Alert messages include information, status, warning, and failure messages for drive, temperature, fan, and power conditions. For more information, see the systems management software documentation.

## Other Information You May Need

 **WARNING:** See the safety and regulatory information that shipped with your system. Warranty information may be included within this document or as a separate document.

- The *Getting Started Guide* provides an overview of system features, setting up your system, and technical specifications.
- Any media that ships with your system that provides documentation and tools for configuring and managing your system, including those pertaining to the operating system, system management software, system updates, and system components that you purchased with your system.

 **NOTE:** Always check for updates on [support.bull.com/documentation](http://support.bull.com/documentation) and read the updates first because they often supersede information in other documents.



# Using the System Setup Program and UEFI Boot Manager

The System Setup program is the BIOS program that enables you to manage your system hardware and specify BIOS-level options. From the System Setup program, you can:

- Change the NVRAM settings after you add or remove hardware
- View the system hardware configuration
- Enable or disable integrated devices
- Set performance and power management thresholds
- Manage system security

## Choosing the System Boot Mode

The System Setup program also enables you to specify the boot mode for installing your operating system:

- BIOS boot mode (the default) is the standard BIOS-level boot interface.
- Unified Extensible Firmware Interface (UEFI) boot mode is an enhanced 64-bit boot interface based on UEFI specifications that overlays the system BIOS. See "Entering the UEFI Boot Manager" on page 45 for more information on this interface.

You must select the boot mode in the **Boot Mode** field of the "Boot Settings Screen" on page 39 of the System Setup program. Once you specify the boot mode, the system boots in the specified boot mode and you proceed then to install your operating system from that mode. Thereafter, you must boot the system to the same boot mode (BIOS or UEFI) to access the installed operating system. Trying to boot the operating system from the other boot mode causes the system to halt immediately at startup.



**NOTE:** Operating systems must be UEFI-compatible (for example, Microsoft® Windows Server® 2008 x64 version) to be installed from the UEFI boot mode. DOS and 32-bit operating systems do not support UEFI and can only be installed from the BIOS boot mode.

# Entering the System Setup Program

- 1 Turn on or restart your system.
- 2 Press <F2> immediately after you see the following message:

<F2> = System Setup

If your operating system begins to load before you press <F2>, allow the system to finish booting, and then restart your system and try again.

## Responding to Error Messages

If an error message appears while the system is booting, make a note of the message. See "System Messages" on page 18 for an explanation of the message and suggestions for correcting errors.



**NOTE:** After installing a memory upgrade, it is normal for your system to display a message the first time you start your system.

## Using the System Setup Program Navigation Keys

Keys	Action
Up arrow or <Shift><Tab>	Moves to the previous field.
Down arrow or <Tab>	Moves to the next field.
<Enter>, Spacebar, <+>, <->, left and right arrows	Cycles through the settings in a field. In many fields, you can also type the appropriate value.
<Esc>	Exits the System Setup program and restarts the system if any changes were made.
<F1>	Displays the System Setup program's help file.





**NOTE:** For most of the options, any changes that you make are recorded but do not take effect until you restart the system.

# System Setup Options

## Main Screen

BIOS Version xx.yy.zz [This is DOS Setup]			
Service Tag: <i>xnnnnnn</i>		Asset Tag: <i>xnnnnnnnnn</i>	
System Time ..... 00:00:00			
System Date ..... DAY/MO/DATE/YR			
Memory Settings ..... <Enter>			
Processor Settings ..... <Enter>			
SATA Settings ..... <Enter>			
Boot Settings ..... <Enter>			
Integrated Devices ..... <Enter>			
PCI IRQ Assignment ..... <Enter>			
Serial Communication ..... <Enter>			
Power Management ..... <Enter>			
System Security ..... <Enter>			
Keyboard NumLock ..... On			
Report Keyboard Errors ..... Report			
F1/F2 Prompt on Error ..... Enabled			
Up,Down Arrow to select	SPACE, +, - to change	ESC to exit	F1 = Help


 **NOTE:** The options for the System Setup program change based on the system configuration.

 **NOTE:** The System Setup program defaults are listed under their respective options in the following sections, where applicable.

Option	Description
System Time	Sets the time on the system's internal clock.
System Date	Sets the date on the system's internal calendar.

Option	Description
Memory Settings	Displays information related to installed memory. See "Memory Settings Screen" on page 37.
Processor Settings	Displays information related to processors (speed, cache size, and so on). See "Processor Settings Screen" on page 37.
SATA Settings	Displays a screen to enable or disable the integrated SATA controller and ports. See "SATA Settings Screen" on page 38.
Boot Settings	Displays a screen to specify the boot mode (BIOS or UEFI). For BIOS boot mode, you can also specify the boot devices. See "Boot Settings Screen" on page 39.
Integrated Devices	Displays a screen to enable or disable integrated device controllers and ports, and to specify related features and options. See "Integrated Devices Screen" on page 40.
PCI IRQ Assignment	Displays a screen to change the IRQ assigned to each of the integrated devices on the PCI bus, and any installed expansion card that requires an IRQ. See "PCI IRQ Assignments Screen" on page 41.
Serial Communication	Displays a screen to enable or disable the serial ports and specify related features and options. See "Serial Communication Screen" on page 41.
Power Management	Enables you to manage power usage of the processor, fans, and memory modules with preconfigured or customized settings. See "Power Management Screen" on page 42.
System Security	Displays a screen to configure the system password and setup password features. See "System Security Screen" on page 43, "Using the System Password" on page 47, and "Using the Setup Password" on page 50 for more information.
Keyboard NumLock (On default)	Determines whether your system starts up with the NumLock mode activated on 101- or 102-key keyboards (does not apply to 84-key keyboards).



Option	Description
Report Keyboard Errors ( <b>Report</b> default)	Enables or disables reporting of keyboard errors during the POST. Select <b>Report</b> for host systems that have keyboards attached. Select <b>Do Not Report</b> to suppress all error messages relating to the keyboard or keyboard controller during POST. This setting does not affect the operation of the keyboard itself if a keyboard is attached to the system.
F1/F2 Prompt on Error ( <b>Enabled</b> default)	Enables the system to halt on errors during POST, which allows the user to observe events that may scroll by unnoticed during normal POST. The user can press <F1> to continue or <F2> to enter the System Setup program.   <b>CAUTION:</b> When setting this option to Disabled, the system does not halt if an error occurs during POST. Any critical errors are displayed and logged in the system event log.

## Memory Settings Screen

Option	Description
System Memory Size	Displays the amount of system memory.
System Memory Type	Displays the type of system memory.
System Memory Speed	Displays the system memory speed.
Video Memory	Displays the amount of video memory.
System Memory Testing ( <b>Enabled</b> default)	Specifies whether system memory tests are run at system boot. Options are <b>Enabled</b> and <b>Disabled</b> .

## Processor Settings Screen

Option	Description
64-bit	Specifies if the processor supports 64-bit extensions.
Core Speed	Displays the processor clock speed.
Bus Speed	Displays the processor bus speed.


Option	Description
Logical Processor ( <b>Enabled</b> default)	On processors that support Simultaneous Multi-Threading (SMT) technology, each processor core supports up to two logical processors. If this field is set to <b>Enabled</b> , the BIOS reports both logical processors. If set to <b>Disabled</b> , only one logical processor is monitored by the BIOS.
Virtualization Technology ( <b>Disabled</b> default)	<b>Enabled</b> permits virtualization software to use the virtualization technology incorporated in the processor. NOTE: Disable this feature if your system will not be running virtualization software.
Execute Disable ( <b>Enabled</b> default)	Enables or disables Execute Disable Memory Protection Technology.
Number of Cores per Processor ( <b>All</b> default)	If set to <b>All</b> , the maximum number of cores in each processor is enabled.
C States ( <b>Enabled</b> default)	When set to <b>Enabled</b> , the processor can operate in all available power states.
Turbo Mode ( <b>Enabled</b> default)	If Turbo Boost Technology is supported by the processor, enables or disables <b>Turbo Mode</b> .
Processor 1 Family - Model-Stepping	Displays the family, model, level 2 cache size, level 3, cache size, and number of cores of the processor.
Level 2 Cache	Displays the amount of cache memory for the processor. This option does not have user-selectable settings.
Number of Cores	Displays the number of cores in the processor. This option does not have user-selectable settings.

## SATA Settings Screen

Option	Description
SATA Controller ( <b>AHCI</b> default)	Allows the embedded SATA to be set to <b>Off</b> , <b>ATA</b> , <b>AHCI</b> , or <b>RAID</b> modes. NOTE: The UEFI support is disabled if SATA is set to the RAID mode.
Port A ( <b>Off</b> default)	<b>Auto</b> enables BIOS support for the device attached to SATA port A. <b>Off</b> disables BIOS support for the device.

Option	Description
Port B ( <b>Off</b> default)	<b>Auto</b> enables BIOS support for the device attached to SATA port B. <b>Off</b> disables BIOS support for the device.
Port C ( <b>Off</b> default)	<b>Auto</b> enables BIOS support for the device attached to SATA port C. <b>Off</b> disables BIOS support for the device.
Port D ( <b>Off</b> default)	<b>Auto</b> enables BIOS support for the device attached to SATA port D. <b>Off</b> disables BIOS support for the device.
Port E ( <b>Off</b> default)	<b>Auto</b> enables BIOS support for the device attached to SATA port E. <b>Off</b> disables BIOS support for the device.
eSATA Port ( <b>Off</b> default)	<b>Auto</b> enables BIOS support for the device attached to the eSATA port. <b>Off</b> disables BIOS support for the device.

## Boot Settings Screen

Option	Description
Boot Mode ( <b>BIOS</b> default)	<p> <b>CAUTION:</b> Switching the boot mode could prevent the system from booting if the operating system was not installed in the same boot mode.</p> <p>If the operating system supports Unified Extensible Firmware Interface, you can set this option to <b>UEFI</b>. Setting this field to <b>BIOS</b> allows compatibility with non-UEFI operating systems.</p> <p><b>NOTE:</b> Setting this field to UEFI disables the Boot Sequence, Hard-Disk Drive Sequence, and USB Flash Drive Emulation Type fields.</p>
Boot Sequence	If <b>Boot Mode</b> is set to <b>BIOS</b> , this field tells the system where the operating system files needed for startup are located. If <b>Boot Mode</b> is set to <b>UEFI</b> , you can access the UEFI boot manager utility by rebooting the system and pressing <F11> when prompted to do so.
Hard-Disk Drive Sequence	Determines the order in which the BIOS will attempt to boot from hard drives in the system during system startup.

Option	Description
USB Flash Drive Emulation Type ( <b>Auto</b> default)	<p>Determines the emulation type for a USB flash drive. <b>Hard disk</b> allows the USB flash drive to act as a hard drive. <b>Floppy</b> allows the USB flash drive to act as a removable diskette drive.</p> <p><b>Auto</b> automatically chooses the appropriate emulation type for the device. If you install a device in this slot that is configured as a removable diskette drive, you must manually set the emulation type to <b>Floppy</b>.</p>
Boot Sequence Retry ( <b>Disabled</b> default)	If this field is enabled and the system has failed to boot, the system will reattempt to boot after 30 seconds.

## Integrated Devices Screen

Option	Description
User Accessible USB Ports ( <b>All Ports On</b> default)	Enables or disables the user accessible USB ports. Options are <b>All Ports On</b> , <b>Only Back Ports On</b> , and <b>All Ports Off</b> .
Internal USB Port ( <b>On</b> default)	Enables or disables the internal USB port.
Embedded Gb NIC/ (NIC1 default: <b>Enabled with PXE</b> ; Other NICs: <b>Enabled</b> )	Enables or disables the integrated NIC. Options are <b>Enabled</b> , <b>Enabled with PXE</b> , <b>Enabled with iSCSI Boot</b> , and <b>Disabled</b> . PXE support allows the system to boot from the network.
MAC Address	Displays the MAC address for the integrated NIC.
OS Watchdog Timer ( <b>Disabled</b> default)	<p>Sets a timer to monitor the operating system for activity, and aids in recovery if the system stops responding. When <b>Enabled</b>, the operating system is allowed to initialize the timer. When <b>Disabled</b>, the timer is not initialized.</p> <p><b>NOTE:</b> This feature is usable only with operating systems that support WDAT implementations of the Advanced Configuration and Power Interface (ACPI) 3.0b specification.</p>

Option	Description
Embedded Video Controller ( <b>Enabled</b> default)	Enables or disables BIOS support for the integrated video controller.  NOTE: This field can be disabled only if an add-in video card is present. If this field is disabled, remote access features such as virtual KVM are not available.

## PCI IRQ Assignments Screen

Option	Description
<PCIe device>	Use the <+> and <-> keys to manually select an IRQ for a given device, or select <b>Default</b> to allow the BIOS to select an IRQ value at system startup.

## Serial Communication Screen

Option	Description
Serial Communication ( <b>On without Console Redirection</b> default)	Selects whether the serial communication devices ( <b>Serial Device 1</b> and <b>Serial Device 2</b> ) are enabled in BIOS. BIOS console redirection can also be enabled and the port address used can be specified.  Options are <b>On without Console Redirection</b> , <b>On with Console Redirection via COM1</b> , <b>On with Console Redirection via COM2</b> , and <b>Off</b> .
Serial Port Address ( <b>Serial Device 1=COM1, Serial Device2=COM2</b> default)	Sets the serial port addresses for the two serial devices.  NOTE: Only Serial Device 2 can be used for Serial Over LAN (SOL). To use console redirection by SOL, configure the same port address for console redirection and the serial device.
External Serial Connector ( <b>Serial Device1</b> default)	Specifies whether <b>Serial Device 1</b> , <b>Serial Device 2</b> , or <b>Remote Access Device</b> has access to the external serial connector.  NOTE: Only Serial Device 2 can be used for SOL. To use console redirection by SOL, configure the same port address for console redirection and the serial device.

Option	Description
Failsafe Baud Rate ( <b>115200</b> default)	Displays the failsafe baud rate used for console redirection. BIOS attempts to determine the baud rate automatically. This failsafe baud rate is used only if the attempt fails. This rate should not be adjusted.
Remote Terminal Type ( <b>VT 100/VT220</b> default)	Sets the remote console terminal type, either <b>VT100/VT220</b> or <b>ANSI</b> .
Redirection After Boot ( <b>Enabled</b> default)	Enables or disables BIOS console redirection when the operating system is loaded.


## Power Management Screen

Option	Description
Power Management ( <b>Active Power Controller</b> default)	<p>Options are <b>OS Control</b>, <b>Active Power Controller</b>, <b>Custom</b>, or <b>Maximum Performance</b>. For all but the <b>Custom</b> setting, the BIOS pre-configures the power settings on this screen as follows:</p> <ul style="list-style-type: none"> <li>• <b>OS Control</b> sets the CPU power to <b>OS DBPM</b>, the fan power to <b>Minimum Power</b>, and the memory power to <b>Maximum Performance</b>. In this setting, all processor performance information is passed from the system BIOS to the operating system for control. The operating system sets the processor performance based on processor utilization.</li> <li>• <b>Active Power Controller</b> sets the CPU power to <b>System DBPM</b>, the fan power to <b>Minimum Power</b>, and the memory power to <b>Maximum Performance</b>. The BIOS sets the processor performance based on processor utilization.</li> <li>• <b>Maximum Performance</b> sets all fields to <b>Maximum Performance</b>.</li> </ul> <p>If you select <b>Custom</b>, you can configure each option independently.</p>
CPU Power and Performance Management	Options are <b>OS DBPM</b> , <b>System DBPM</b> , <b>Maximum Performance</b> , or <b>Minimum Power</b> .
Fan Power and Performance Management	Options are <b>Maximum Performance</b> or <b>Minimum Power</b> .

Option	Description
Memory Power and Performance Management	Options are <b>Maximum Performance</b> , a specified frequency, or <b>Minimum Power</b> .

## System Security Screen

Option	Description
System Password	<p>Displays the current status of the password security feature and allows a new system password assignment and verification.</p> <p>NOTE: See "Using the System Password" on page 47 for more information.</p>
Setup Password	<p>Restricts access to the System Setup program by using a setup password.</p> <p>NOTE: See "Using the Setup Password" on page 50 for more information.</p>
Password Status ( <b>Unlocked</b> default)	<p>When <b>Setup Password</b> is assigned and this field is <b>Locked</b>, the system password cannot be changed or disabled at system start-up.</p> <p>See "Using the System Password" on page 47 for more information.</p>
TPM Security ( <b>Off</b> default)	<p>Sets the reporting of the Trusted Platform Module (TPM) in the system.</p> <p>If <b>Off</b>, the presence of the TPM is not reported to the operating system.</p> <p>If <b>On with Pre-boot Measurements</b>, the system reports the TPM to the operating system and stores the pre-boot measurements to the TPM during POST.</p> <p>If <b>On without Pre-boot Measurements</b>, the system reports the TPM to the operating system and bypasses pre-boot measurements.</p>

Option	Description
TPM Activation ( <b>No Change</b> default)	<p>When set to <b>Activate</b>, the TPM is enabled to default settings. When set to <b>Deactivate</b>, the TPM is disabled. The <b>No Change</b> state initiates no action. The operational state of the TPM remains unchanged (all user settings for the TPM are preserved).</p> <p>NOTE: This field is read-only when TPM Security is set to Off.</p>
TPM Clear ( <b>No</b> default)	<p> <b>CAUTION:</b> Clearing the TPM will lose all encryption keys in the TPM. This option prevents booting to the operating system and results in data loss if the encryption keys cannot be restored. Back up the TPM keys prior to enabling this option.</p> <p>When set to <b>Yes</b>, all TPM contents are cleared.</p> <p>NOTE: This field is read-only when TPM Security is set to Off.</p>
Power Button ( <b>Enabled</b> default)	<p>If <b>Enabled</b>, the power button can turn the system's power off and on. On an ACPI-compliant operating system, the system performs an orderly shutdown before power is turned off.</p> <p>When <b>Disabled</b>, the button can only turn on system power.</p>
AC Power Recovery ( <b>Last</b> default)	<p>Determines how the system reacts when power is restored. If set to <b>Last</b>, the system returns to the last power state. <b>On</b> turns on the system after power is restored. <b>Off</b> allows the system to remain off after power is restored.</p>
AC Power Recovery Delay ( <b>Immediate</b> default)	<p>Determines when the system restarts after power is restored. Options are <b>Immediate</b>, <b>Random</b> (a random value of 45 to 240 seconds), or a user-defined value of 45 to 240 seconds.</p>
User Defined Delay	<p>Determines the user defined AC Power Recovery Delay. You can enter a value between 45 and 240 seconds. You can also view the Current AC Recovery Delay value.</p> <p>NOTE: This field is active when AC Power Recovery Delay is set to User Defined.</p>



## Exit Screen

Press <Esc> to exit the System Setup program; the **Exit** screen displays:

- Save Changes and Exit
- Discard Changes and Exit
- Return to Setup

## Entering the UEFI Boot Manager



**NOTE:** Operating systems must be 64-bit UEFI-compatible (for example, Microsoft® Windows Server® 2008 x64 version) to be installed from the UEFI boot mode. DOS and 32-bit operating systems can only be installed from the BIOS boot mode.



**NOTE:** The Boot Mode must be set to UEFI in the System Setup program to access the UEFI Boot Manager.

The UEFI Boot Manager enables you to:

- Add, delete, and arrange boot options
- Access the System Setup program and BIOS-level boot options without rebooting

To enter the UEFI Boot Manager:

- 1 Turn on or restart your system.
- 2 Press <F11> after you see the following message:

<F11> = UEFI Boot Manager



**NOTE:** The system does not respond until the USB keyboard is active.

If your operating system begins to load before you press <F11>, allow the system to finish booting, and then restart your system and try again.

## Using the UEFI Boot Manager Navigation Keys

Keys	Action
Up arrow	Moves to and highlights the previous field.
Down arrow	Moves to and highlights the next field.
Spacebar, <Enter>, <+>, <->, left and right arrows	Cycles through the settings in a field.

Keys	Action
<Esc>	Refreshes the UEFI Boot Manager screen, or returns to the UEFI Boot Manager screen from the other program screens.
<F1>	Displays the UEFI Boot Manager help file.

## UEFI Boot Manager Screen

Option	Description
Continue	The system attempts to boot to devices starting with the first item in the boot order. If the boot attempt fails, the system will continue with the next item in the boot order until the boot is successful or no more boot options are found.
<Boot options>	Displays the list of available boot options (marked with asterisks). Select the boot option you wish to use and press Enter.  NOTE: If you hot-add a boot device, press <ESC> to refresh the list of boot options.
UEFI Boot Settings	Enables you to add, delete, enable, or disable boot options; change boot order; or execute a one-time boot option.
System Utilities	Enables you to access the System Setup program, System Services (Unified Server Configurator [USC]), Diagnostics, and BIOS-level boot options.

## UEFI Boot Settings Screen

Option	Description
Add Boot Option	Adds a new boot option.
Delete Boot Option	Deletes an existing boot option.
Enable/Disable Boot Option	Disables and enables a boot option in the boot option list.
Change Boot Order	Changes the order of the boot option list.
One-Time Boot From File	Sets a one-time boot option not included in the boot option list.

## System Utilities Screen

Option	Description
System Setup	Accesses the System Setup program without rebooting.
System Services (USC)	Restarts the system and accesses the USC, which allows you to run utilities such as system diagnostics.
BIOS Boot Manager	Accesses the BIOS-level boot options list without rebooting. This option enables you to conveniently switch to BIOS boot mode if you need to boot to a device with a non-UEFI operating system, such as a bootable DOS media with diagnostics software.
Reboot System	Restarts the system.

## System and Setup Password Features



**NOTE:** For a forgotten password, see "Disabling a Forgotten Password" on page 126.

Your system is shipped without the system password feature enabled. Operate the system only with system password protection.



**CAUTION:** The password features provide a basic level of security for the data on your system.



**CAUTION:** Anyone can access the data stored on your system if the system is running and unattended.

### Using the System Password

When a system password is assigned, the system prompts for the system password after the system starts and only those with the password have full use of the system.

## Assigning a System Password

Before assigning a system password, enter the System Setup program and check the **System Password** option.

When a system password is assigned, **System Password** is **Enabled**. If **Password Status** is **Unlocked**, you can change the system password. If **Locked**, you cannot change the system password. Disabling the password jumper on the system board sets **System Password** to **Disabled**, and you cannot change or enter a new system password.


When a system password is not assigned and the password jumper on the system board is in the enabled position, **System Password** is **Not Enabled** and **Password Status** is **Unlocked**. To assign a system password:

- 1 Verify that **Password Status** is **Unlocked**.
- 2 Highlight the **System Password** option and press <Enter>.
- 3 Type your new system password.

You can use up to 32 characters in your password.

As you type, placeholders appear in the field.


The password assignment is not case-sensitive. Certain key combinations are invalid and if you enter one, the system beeps. To erase a character, press <Backspace> or the left-arrow key.

 **NOTE:** To escape from the field without assigning a system password, press <Enter> to move to another field, or press <Esc> prior to completing step 5.

- 4 Press <Enter>.
- 5 To confirm your password, type it a second time and press <Enter>.

**System Password** changes to **Enabled**. Exit the System Setup program and begin using your system.

- 6 Either reboot the system now for the password protection to take effect or continue working.

 **NOTE:** Password protection does not take effect until the system reboots.

## Using Your System Password to Secure Your System



**NOTE:** If you have assigned a setup password (see "Using the Setup Password" on page 50), the system accepts your setup password as an alternate system password.

When **Password Status** is **Unlocked**, you have the option to leave the password security enabled or to disable password security.

To leave the password security enabled:

- 1 Turn on or reboot your system by pressing <Ctrl><Alt><Del>.
- 2 Type your password and press <Enter>.

To disable the password security:

- 1 Turn on or reboot your system by pressing <Ctrl><Alt><Del>.
- 2 Type your password and press <Ctrl><Enter>.

When **Password Status** is **Locked**, you must type the password and press <Enter> when prompted at reboot.

If an incorrect system password is entered, the system displays a message and prompts you to re-enter your password. You have three attempts to enter the correct password. After the third unsuccessful attempt, the system displays an error message that the system has halted and shuts down.

Even after you shut down and restart the system, the error message continues to be displayed until the correct password is entered.



**NOTE:** You can use the Password Status option in conjunction with the System Password and Setup Password options to protect your system from unauthorized changes.

## Deleting or Changing an Existing System Password

- 1 Enter the System Setup program and select the **System Security**.
- 2 Highlight **Setup Password**, press <Enter> to access the setup password window. Press <Enter> twice to clear the existing setup password.
- 3 The setting changes to **Not Enabled**.
- 4 If you want to assign a new setup password, perform the steps in "Assigning a Setup Password" on page 50.

## Using the Setup Password

### Assigning a Setup Password

You can assign a setup password only when the **Setup Password** is **Not Enabled**. To assign a setup password, highlight the **Setup Password** option and press the <+> or <-> key. The system prompts you to enter and verify the password.



**NOTE:** The setup password can be the same as the system password. If the two passwords are different, the setup password can be used as an alternate system password. The system password cannot be used in place of the setup password.

You can use up to 32 characters in your password.

As you type, placeholders appear in the field.

The password assignment is not case-sensitive. Certain key combinations are invalid and if you enter one, the system beeps. To erase a character, press <Backspace> or the left-arrow key.

When you verify the password, the **Setup Password** changes to **Enabled**. The next time you enter the System Setup program, the system prompts you for the setup password.

A change to the **Setup Password** option becomes effective immediately (restarting the system is not required).

### Operating With a Setup Password Enabled

If **Setup Password** is **Enabled**, you must enter the correct setup password before modifying most of the System Setup options.

If you do not enter the correct password in three attempts, the system lets you view, but not modify, the System Setup screens. The following options are exceptions: If **System Password** is not **Enabled** and is not locked through the **Password Status** option, you can assign a system password. You cannot disable or change an existing system password.



**NOTE:** You can use the Password Status option in conjunction with the Setup Password option to protect the system password from unauthorized changes.

## Deleting or Changing an Existing Setup Password

- 1 Enter the System Setup program and select the **System Security**.
- 2 Highlight **Setup Password**, press <Enter> to access the setup password window. Press <Enter> twice to clear the existing setup password.  
The setting changes to **Not Enabled**.
- 3 If you want to assign a new setup password, perform the steps in "Assigning a Setup Password" on page 50.

## Embedded System Management

The USC is an embedded utility that enables systems and storage management tasks from an embedded environment throughout the server's lifecycle.

The USC can be started during the boot sequence and can function independent of the operating system.



**NOTE:** Certain platform configurations may not support the full set of features provided by USC.

The following features of USC are supported on systems with Baseboard Management Controller (BMC):

- Installing an operating system
- Running diagnostics to validate the memory, I/O devices, processors, physical disks, and other peripherals

# Baseboard Management Controller Configuration

The BMC enables configuring, monitoring, and recovery of systems remotely. BMC provides the following features:

- Enables fault logging and SNMP alerting
- Provides access to system event log and sensor status
- Allows control of system functions including power on and off
- Functions independently of the system's power state or the system's operating system
- Provides text console redirection for system setup, text-based utilities, and operating system consoles



**NOTE:** To remotely access the BMC through the integrated NIC, you must connect the network connection to integrated NIC1.

For additional information on using BMC, see the documentation for the BMC and systems management applications.

## Entering the BMC Setup Module

- 1 Turn on or restart your system.
- 2 Press <Ctrl><E> when prompted after POST.

If your operating system begins to load before you press <Ctrl><E>, allow the system to finish booting, and then restart your system and try again.



# Installing System Components

## Recommended Tools

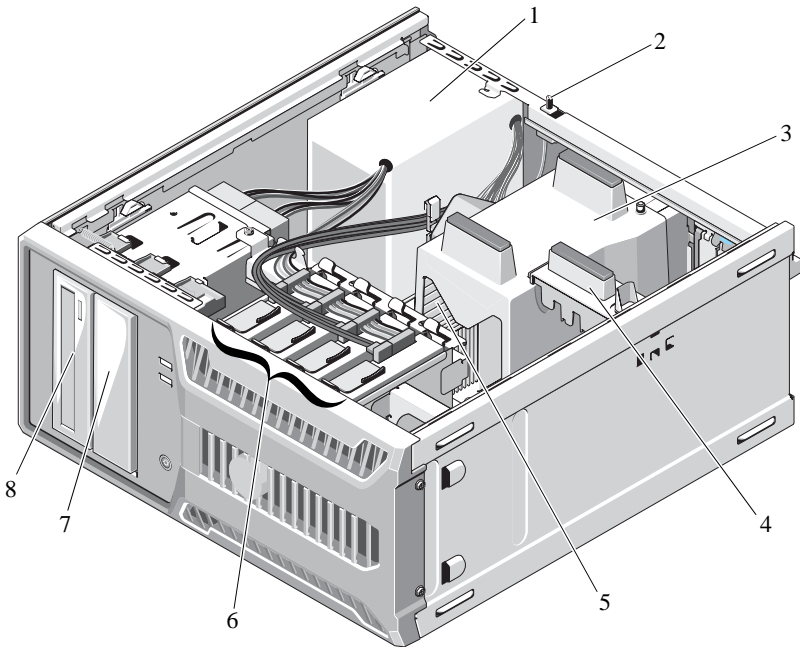
You may need the following items to perform the procedures in this section:

- Key to the system keylock
- #2 Phillips screwdriver
- Wrist grounding strap

# Inside the System


**△ CAUTION:** Many repairs may only be done by a certified service technician. You should only perform troubleshooting and simple repairs as authorized in your product documentation, or as directed by the online or telephone service and support team. Damage due to servicing that is not authorized by Bull is not covered by your warranty. Read and follow the safety instructions that came with the product.


Figure 3-1. Inside the System



- |   |                       |   |                           |
|---|-----------------------|---|---------------------------|
| 1 | power supply          | 2 | chassis intrusion switch  |
| 3 | cooling shroud        | 4 | expansion card stabilizer |
| 5 | heat sink             | 6 | hard drives (4)           |
| 7 | tape drive (optional) | 8 | optical drive (optional)  |

## Opening and Closing the System

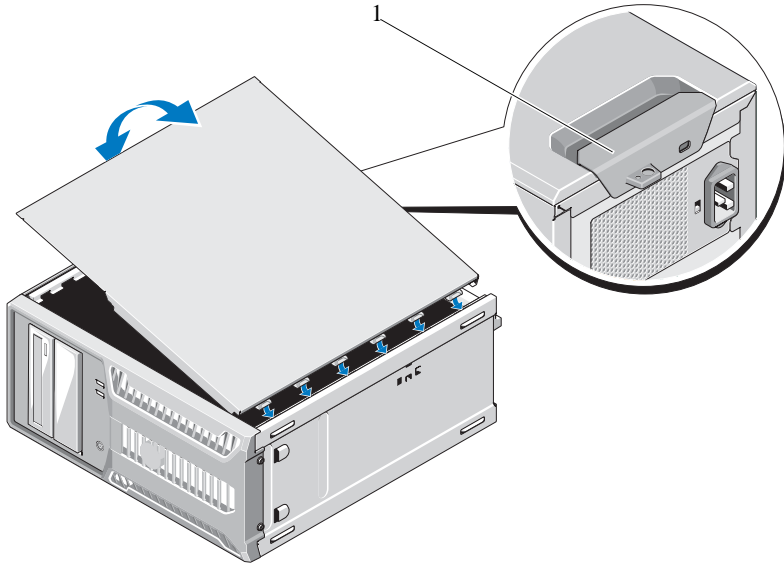
 **WARNING:** Whenever you need to lift the system, get others to assist you. To avoid injury, do not attempt to lift the system by yourself.

 **CAUTION:** Many repairs may only be done by a certified service technician. You should only perform troubleshooting and simple repairs as authorized in your product documentation, or as directed by the online or telephone service and support team. Damage due to servicing that is not authorized by Bull is not covered by your warranty. Read and follow the safety instructions that came with the product.

### Opening the System

- 1 Turn off the system and attached peripherals, and disconnect the system from the electrical outlet.
- 2 Press the power button to ground the system board.
- 3 Lay the system on its side as shown in Figure 3-2.
- 4 Open the system by sliding the cover release tab toward the back of the system, grasp the cover on both sides, and carefully lift the cover away from the system. See Figure 3-2.

Figure 3-2. Opening and Closing the System




1 release tab

### Closing the System

- 1 Align the cover with the slots on the bottom of the chassis. See Figure 3-2.
- 2 Press down on the cover until the cover release tab snaps into place.
- 3 Place the system upright on a flat, stable surface.
- 4 Reattach any peripherals and connect the system to an electrical outlet.
- 5 Turn on the system and attached peripherals.

# Front Bezel

 **CAUTION:** Many repairs may only be done by a certified service technician. You should only perform troubleshooting and simple repairs as authorized in your product documentation, or as directed by the online or telephone service and support team. Damage due to servicing that is not authorized by Bull is not covered by your warranty. Read and follow the safety instructions that came with the product.

## Removing the Front Bezel


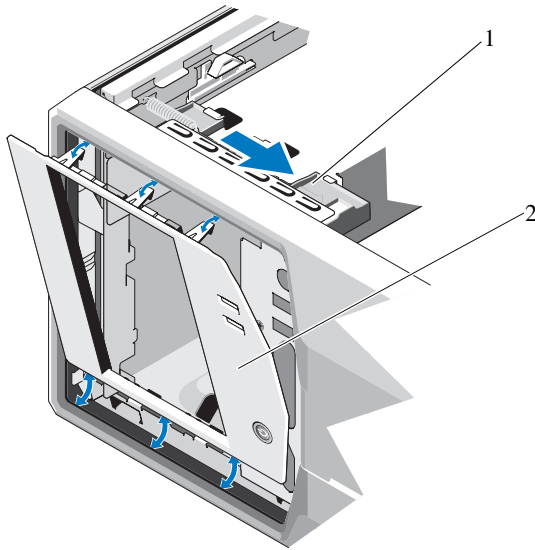
- 1 Turn off the system and attached peripherals, and disconnect the system from the electrical outlet.
- 2 Open the system. See "Opening the System" on page 55.
- 3 Slide the drive release latch in the direction of the arrow until it releases the front bezel from its side hinges. See Figure 3-3.  
 **NOTE:** The drive release latch secures and releases the front bezel and helps to secure the drives.
- 4 Carefully tilt the front bezel away from the chassis and lift it out as shown in Figure 3-3.
- 5 Close the system. See "Closing the System" on page 56.

Figure 3-3. Removing and Installing the Front Bezel



1 drive release latch

2 front bezel

### Installing the Front Bezel

- 1 Align the tabs on the front bezel with the slots on the chassis. See Figure 3-3.
- 2 Snap the bezel into place.

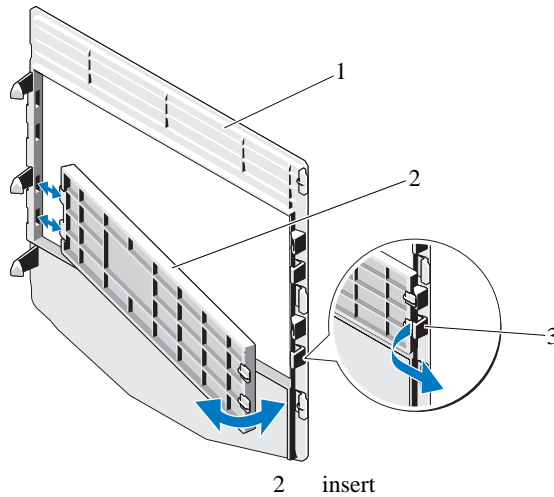
### Removing Front Bezel Insert



**NOTE:** Before installing a drive in one or more of the front drive bays, remove the corresponding insert(s) on the front bezel.

- 1 From the back of the bezel, push the tab on the end of the insert outward.
- 2 Pull the insert away from the bezel. See Figure 3-4.

Figure 3-4. Removing and Installing the Front Bezel Insert



- 1 front bezel
- 2 insert
- 3 tab

### Installing Front Bezel Insert

- 1 To replace the insert on the front bezel, from the back of the bezel, fit the tabs on the end of the insert into the notches on the bezel.
- 2 Snap the other end of the insert into place. See Figure 3-4.

## EMI Filler Panel

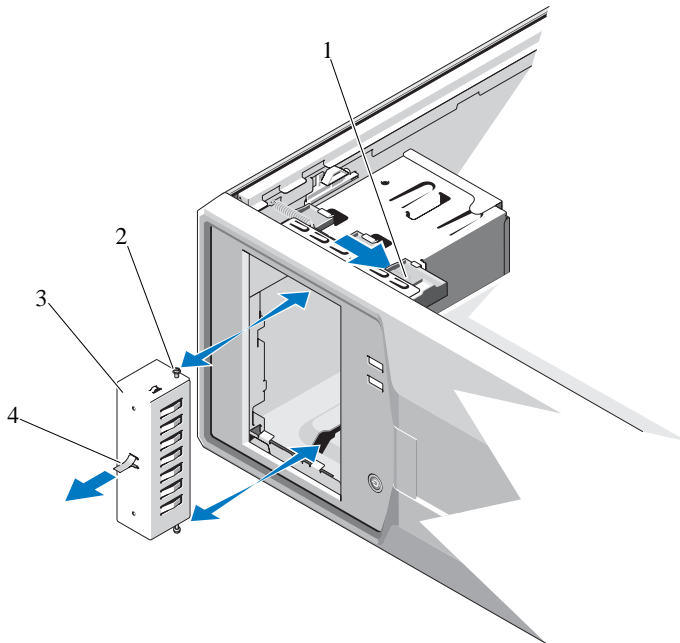
Depending on the configuration of your system, an electromagnetic interference (EMI) filler panel may be installed in one or more of the 5.25-inch optical drive bays at the front of the system. EMI filler panels are essential for airflow efficiency and for electromagnetic interference protection. Before installing an optical drive, the corresponding EMI filler panel must first be removed.

### Removing an EMI Filler Panel

- 1 Turn off the system and attached peripherals, and disconnect the system from the electrical outlet.
- 2 Open the system. See "Opening the System" on page 55.

- 3 Remove the front bezel. See "Removing the Front Bezel" on page 57.
- 4 Slide the drive release latch in the direction of the arrow to release the shoulder screw. See Figure 3-5.
- 5 Pull the tab to remove the EMI filler panel.

Figure 3-5. Removing and Installing the EMI Filler Panel



- |   |                     |   |                     |
|---|---------------------|---|---------------------|
| 1 | drive release latch | 2 | shoulder screws (2) |
| 3 | EMI filler panel    | 4 | tab                 |

### Installing an EMI Filler Panel


- 1 Gently slide the EMI filler panel into the bay until it clicks into place. See Figure 3-5.
- 2 Replace the front bezel. See "Installing the Front Bezel" on page 58.
- 3 Close the system. See "Closing the System" on page 56.



## Optical and Tape Drives (Optional)

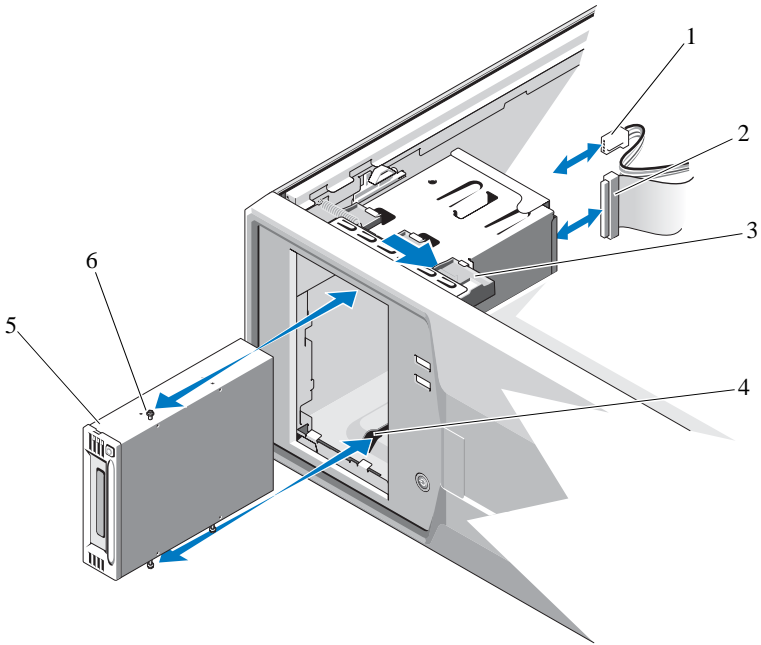
Your system contains two 5.25-inch drive bays. In the upper 5.25-inch drive bay, you can install only an optical drive. In the lower 5.25-inch drive bay, you can install either an optical or a tape backup unit.

### Removing an Optical or Tape Drive

 **CAUTION:** Many repairs may only be done by a certified service technician. You should only perform troubleshooting and simple repairs as authorized in your product documentation, or as directed by the online or telephone service and support team. Damage due to servicing that is not authorized by Bull is not covered by your warranty. Read and follow the safety instructions that came with the product.

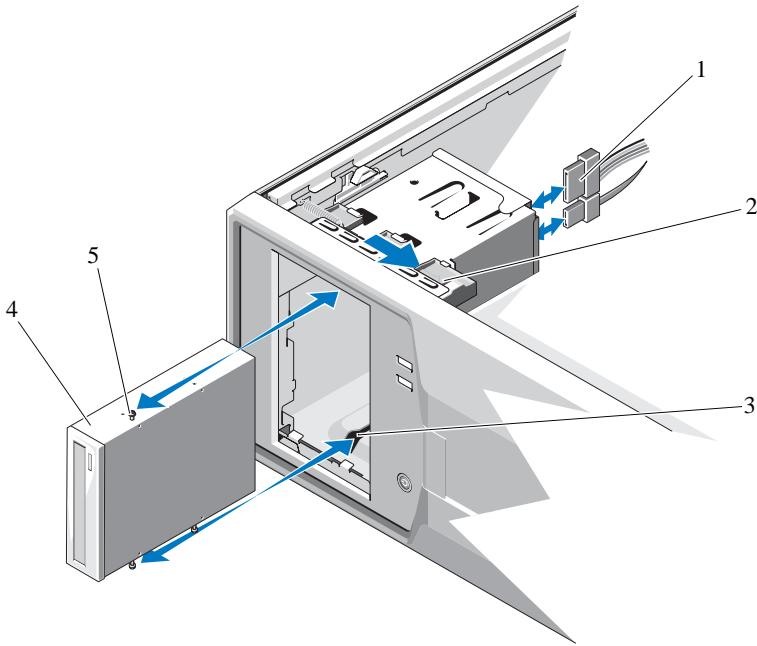
- 1 Turn off the system and attached peripherals, and disconnect the system from the electrical outlet.
- 2 Open the system. See "Opening the System" on page 55.
- 3 Remove the front bezel. See "Removing the Front Bezel" on page 57.
- 4 Disconnect the power and data cables from the back of the drive. See Figure 3-6 for disconnecting SCSI connections and Figure 3-7 for disconnecting SATA connections.
- 5 Slide the drive release latch in the direction of the arrow to release the shoulder screw.
- 6 Slide the drive out to remove it from the drive bay.

Figure 3-6. Removing and Installing a Tape Drive (SCSI Connection)



- |   |                     |   |                                |
|---|---------------------|---|--------------------------------|
| 1 | power cable         | 2 | data cable                     |
| 3 | drive release latch | 4 | drive bay screw slots          |
| 5 | tape drive          | 6 | tape drive shoulder screws (3) |


Figure 3-7. Removing and Installing an Optical Drive (SATA Connection)



- |   |                                   |   |                     |
|---|-----------------------------------|---|---------------------|
| 1 | power/data cable                  | 2 | drive release latch |
| 3 | drive bay screw slots             | 4 | optical drive       |
| 5 | optical drive shoulder screws (3) |   |                     |


- 7 If you are installing another drive in the bay, see "Installing an Optical or Tape Drive" on page 64.
- 8 If the drive is being permanently removed, install an insert on the front bezel. See "Installing Front Bezel Insert" on page 59.
- 9 Replace the front bezel. See "Installing the Front Bezel" on page 58.
- 10 Close the system. See "Closing the System" on page 56.


## Installing an Optical or Tape Drive


 **CAUTION:** Many repairs may only be done by a certified service technician. You should only perform troubleshooting and simple repairs as authorized in your product documentation, or as directed by the online or telephone service and support team. Damage due to servicing that is not authorized by Bull is not covered by your warranty. Read and follow the safety instructions that came with the product.

- 1 Unpack the drive and prepare it for installation. For instructions, see the documentation that accompanied the drive.

If you are installing a SCSI tape drive, you must have a SCSI controller card installed (see "Installing an Expansion Card" on page 76) and configure the tape drive according to the documentation that came with the tape drive.

 **NOTE:** Each device attached to a SCSI host adapter must have a unique SCSI ID number (narrow SCSI devices use IDs 0 to 7; wide SCSI devices use IDs from 0 to 15). Set the drive's SCSI ID to avoid conflicts with other devices on the SCSI bus. For the default SCSI ID setting, see the documentation provided with the drive.

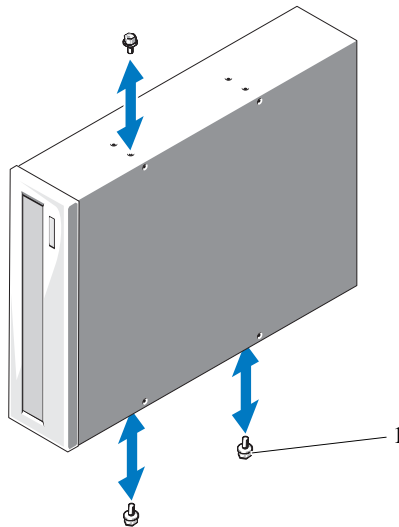
 **NOTE:** There is no requirement that SCSI ID numbers be assigned sequentially or that devices be attached to the cable in order by ID number.

 **NOTE:** SCSI logic requires that the two devices at opposite ends of a SCSI chain be terminated and that all devices in between be unterminated. Therefore, you enable the tape drive's termination if it is the last device in a chain of devices (or sole device) connected to the SCSI controller.

- 2 Turn off the system, including any attached peripherals, and disconnect the system from the electrical outlet.
- 3 Open the system. See "Opening the System" on page 55.
- 4 Remove the front bezel. See "Removing the Front Bezel" on page 57.
- 5 If another drive is installed, remove it (see "Removing an Optical or Tape Drive" on page 61) and remove the three shoulder screws to attach to the new drive. See Figure 3-8.
- 6 If the drive bay is empty, remove the insert on the front bezel. See "Removing Front Bezel Insert" on page 58.
- 7 Remove the two shoulder screws from the EMI filler panel and attach them to the new drive. See Figure 3-8.

- 8 On the new drive, attach the three shoulder screws to the drive, one screw on the lower front screw hole on the right side and two screws on the lower screw holes on the left side. See Figure 3-8.

Figure 3-8. Installing Drive Shoulder Screws



- 1 shoulder screws (3)
- 9 Gently slide the drive into the bay until it clicks into place.
- 10 Attach the SCSI power cable (tape drive) or SATA power cable (optical drive) to the drive. Ensure that cables are secured in their respective clips.
- 11 Attach the data cable. If you are installing a SCSI tape drive, connect the SCSI interface cable in the drive kit from the SCSI controller card to the drive.
- 12 Check all cable connections, and fold cables out of the way to allow for airflow between the fan and cooling vents.
- 13 Replace the front bezel. See "Installing the Front Bezel" on page 58.
- 14 Close the system. See "Closing the System" on page 56.

# Hard Drives



**NOTE:** The system's drive configuration must consist of all SATA hard drives or all SAS hard drives.

## Hard Drive Installation Guidelines

Your system supports up to four 3.5-inch SATA or SAS hard drives in internal drive bays. All the drives must be either SAS or SATA; mixed configurations are not supported.

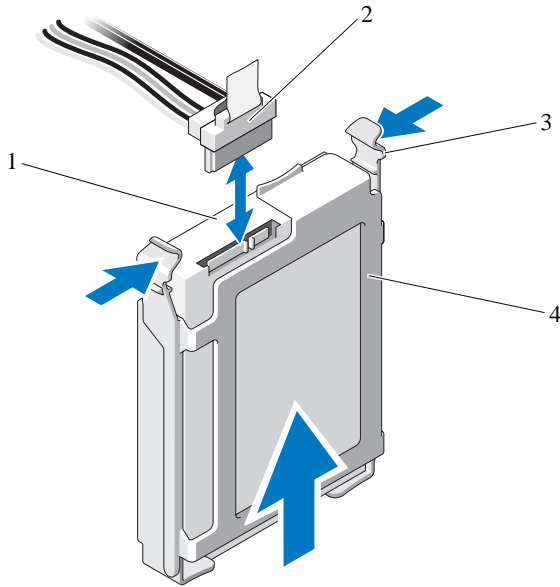
## Removing a Hard Drive




**CAUTION:** Many repairs may only be done by a certified service technician. You should only perform troubleshooting and simple repairs as authorized in your product documentation, or as directed by the online or telephone service and support team. Damage due to servicing that is not authorized by Bull is not covered by your warranty. Read and follow the safety instructions that came with the product.

- 1 Turn off the system and attached peripherals, and disconnect the system from the electrical outlet and from the peripherals.
- 2 Open the system. See "Opening the System" on page 55.
- 3 Disconnect the data/power cable from the hard drive by pulling up on the blue tab.
- 4 Press the blue tabs on each side of the hard-drive bracket toward each other and slide the drive up and out of the bay. See Figure 3-9.

Figure 3-9. Removing or Installing a Hard Drive




- |   |            |   |                    |
|---|------------|---|--------------------|
| 1 | hard drive | 2 | power/data cable   |
| 3 | tabs (2)   | 4 | hard drive bracket |

 **NOTE:** If you are not replacing the hard drive, remove the drive from the drive bracket (see Figure 3-11) and insert the empty bracket back into the drive bay.

- 5 Detach the hard-drive bracket from the hard drive by pushing out at the edges of the bracket and removing the hard drive. See Figure 3-11.
- 6 Replace the system cover. See "Closing the System" on page 56.
- 7 Place the system upright on a flat, stable surface.
- 8 Reattach any peripherals and connect the system to an electrical outlet.
- 9 Turn on the system and attached peripherals.

## Installing a Hard Drive

 **CAUTION:** Many repairs may only be done by a certified service technician. You should only perform troubleshooting and simple repairs as authorized in your product documentation, or as directed by the online or telephone service and support team. Damage due to servicing that is not authorized by Bull is not covered by your warranty. Read and follow the safety instructions that came with the product.

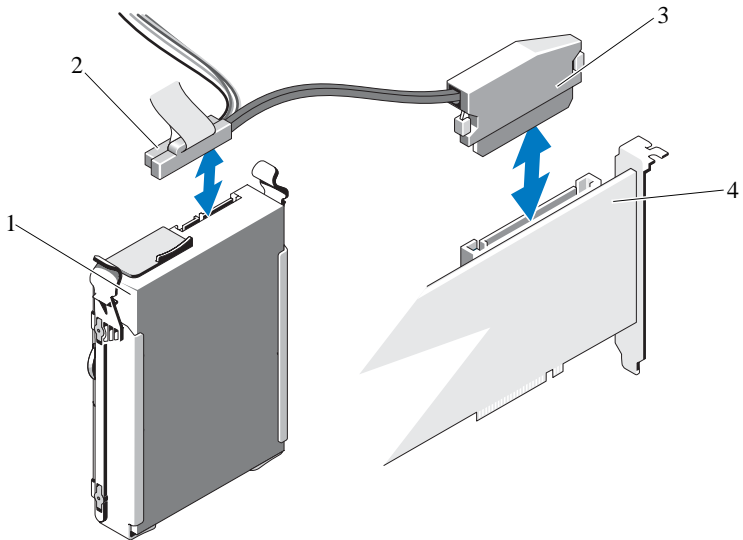
- 1 Turn off the system and attached peripherals, and disconnect the system from the electrical outlet.
- 2 Open the system. See "Opening the System" on page 55.
- 3 To remove the existing hard-drive bracket, press the blue tabs on each side of the bracket toward each other and slide the bracket up and out of the system. See Figure 3-9.
- 4 Snap the hard-drive bracket on to the hard drive. See Figure 3-11.
- 5 Slide the hard drive into the drive bay until it snaps into place.
- 6 Connect the power/data cable to the hard drive.
  - For connection to the integrated SATA controller (SATA hard drives only), connect the SATA data cable to the SATA connectors on the system board. See Figure 6-1 for the location of the hard drive connectors on the system board.
  - For connection to a SAS controller expansion card (SAS or SATA hard drives), connect the data/power cable from the SAS controller card as shown in Figure 3-10. See "SAS Controller Expansion Card" on page 77 for instructions about installing the card and routing the cables.



**NOTE:** The SAS controller card must be installed in SLOT1 PCIE\_G2\_X8. See Figure 6-1.



Figure 3-10. Attaching a SAS Hard Drive to a SAS Controller Expansion Card



- |   |                                   |   |                                |
|---|-----------------------------------|---|--------------------------------|
| 1 | SAS hard drive                    | 2 | power/data cable to hard drive |
| 3 | data cable to SAS controller card | 4 | SAS controller card            |

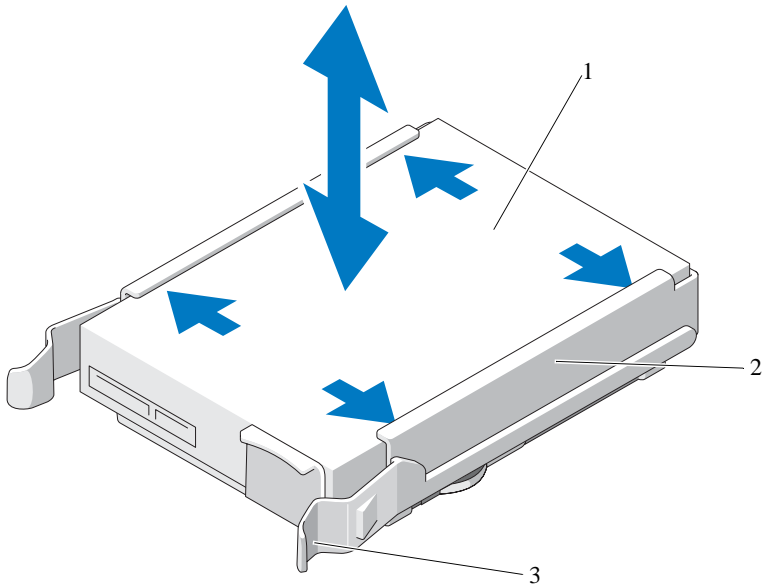
- 7 Replace the system cover. See "Closing the System" on page 56.
- 8 Place the system upright on a flat, stable surface.
- 9 Reattach any peripherals and connect the system to an electrical outlet.
- 10 Turn on the system and attached peripherals.
- 11 Enter the System Setup program and ensure that the hard drive's controller is enabled. See "Entering the System Setup Program" on page 34.
- 12 Exit the System Setup program and reboot the system.
- 13 Partition and logically format the drive.

See the documentation that came with the drive for instructions on installing any software required for drive operation.

### Removing a Hard Drive from a Hard-Drive Bracket

Detach the hard-drive bracket from the hard drive by pushing out at the edges of the bracket and removing the hard drive. See Figure 3-11.

Figure 3-11. Removing or Installing a Hard Drive From a Hard Drive Bracket



- 1 hard drive
- 2 hard drive bracket
- 3 blue tabs (2)

## Expansion Card Stabilizer

### Removing the Expansion Card Stabilizer

- 1 Turn off the system and attached peripherals. Disconnect the system from the electrical outlet and peripherals.
- 2 Open the system. See "Opening the System" on page 55.
- 3 Press the release tab and lift the expansion card stabilizer out of slots in the chassis. See Figure 3-12.




### Installing the Expansion Card Stabilizer

- 1 Slide the edge of the expansion card stabilizer into the slots in the cooling shroud and chassis until the release tab locks into place. See Figure 3-12.

- 2 Close the system. See "Closing the System" on page 56.

## Cooling Shroud

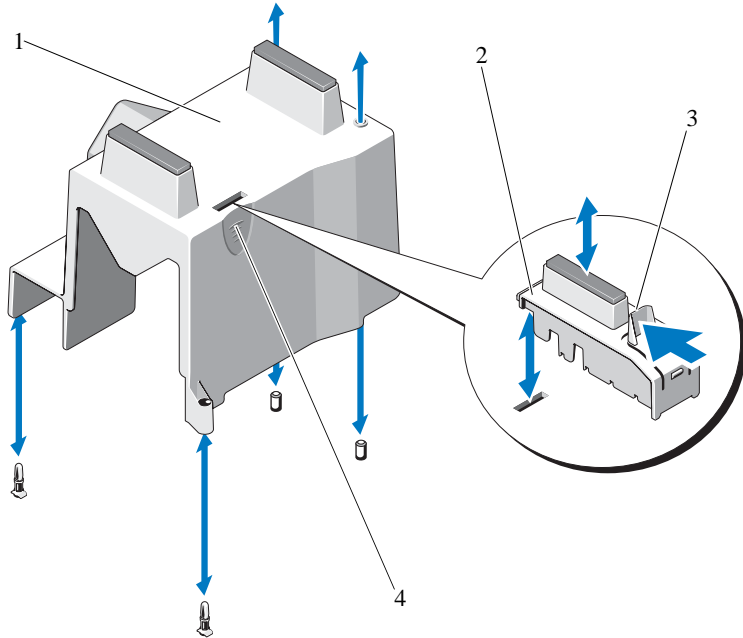
The cooling shroud directs airflow over the system processor and memory modules.

-  **WARNING:** The memory modules and heat sink can get very hot during normal operation. Ensure that the memory modules and heat sink have had sufficient time to cool before you touch them.
-  **CAUTION:** Many repairs may only be done by a certified service technician. You should only perform troubleshooting and simple repairs as authorized in your product documentation, or as directed by the online or telephone service and support team. Damage due to servicing that is not authorized by Bull is not covered by your warranty. Read and follow the safety instructions that came with the product.
-  **CAUTION:** Never operate your system with the cooling shroud removed. Overheating of the system can develop quickly, resulting in shutdown of the system and loss of data.

### Removing the Cooling Shroud

- 1 Turn off the system and attached peripherals. Disconnect the system from the electrical outlet and peripherals.
- 2 Open the system. See "Opening the System" on page 55.
- 3 Remove the expansion card stabilizer. See "Removing the Expansion Card Stabilizer" on page 70.
- 4 Hold the touch points on the cooling shroud and lift the cooling shroud out of the system. See Figure 3-12.

Figure 3-12. Removing and Installing the Cooling Shroud



- |   |                |   |                                 |
|---|----------------|---|---------------------------------|
| 1 | cooling shroud | 2 | expansion card stabilizer       |
| 3 | release tab    | 4 | cooling shroud touch points (2) |

### Installing the Cooling Shroud

- 1 Align the holes on the cooling shroud with the alignment guides on the system fan.
- 2 Hold the touch points on the cooling shroud and carefully lower the cooling shroud into the system. Ensure that no cables are under the edges of the cooling shroud.
- 3 Replace the expansion card stabilizer. See "Installing the Expansion Card Stabilizer" on page 70.
- 4 Close the system. See "Closing the System" on page 56.

# Expansion Cards

## Expansion Card Installation Guidelines

Your system supports up to four PCIe Generation 2 cards. To identify the expansion slots, see Figure 6-1.

Observe the following notes and guidelines regarding the expansion-card slots:

- The expansion-card slots are not hot-swappable.
- PCI Express Generation 2 and Generation 1 expansion cards are supported in all slots.
- Slot 2 supports full-length expansion cards; slots 1, 3, and 4 support half-length expansion cards.
- The system supports up to two SAS or PERC expansion cards to manage external storage.



**CAUTION:** To ensure proper cooling, no more than two of the four expansion cards can have a power consumption of greater than 15 W (up to 25 W maximum each), not including the integrated storage controller.

- Table 3-1 provides a guide for installing expansion cards to ensure proper cooling and mechanical fit. The expansion cards with the highest priority should be installed first using the slot priority indicated. All other expansion cards should be installed in card priority and slot priority order.

Table 3-1. Expansion-Card Installation Priority

Card Priority	Card Type	Slot Priority	Max Allowed	25-W Card
1	SAS 6/iR controller	1	1	Y
2	S300 controller	1	1	Y
3	H200 controller <sup>3</sup>	1	1	Y
4	SAS 5/E controller	1, 2	2	Y
5	6-Gbps SAS HBA <sup>3</sup>	1, 2	2	Y
6	LSI2032 PCIe HBA SCSI Adapter	3, 1, 2	3	Y
7	Dual port NICs	3, 1, 2	3 <sup>1</sup>	N <sup>2</sup>
8	Single port NICs	4, 3, 1, 2	4 <sup>1</sup>	N <sup>2</sup>

1. Maximum of 2 of any card whose maximum power exceeds 15 W.

2. Refer to the expansion card documentation to ensure that the maximum power does not exceed 15 W.

3. When available.

See Figure 6-1 for the location of the expansion card slots.



**NOTE:** Your system supports only one RAID card. You can install either of the above mentioned RAID cards in Slot 1. The size of the expansion card connectors for the PCI x8 card is PCI x8.

## Removing an Expansion Card



**CAUTION:** Many repairs may only be done by a certified service technician. You should only perform troubleshooting and simple repairs as authorized in your product documentation, or as directed by the online or telephone service and support team. Damage due to servicing that is not authorized by Bull is not covered by your warranty. Read and follow the safety instructions that came with the product.

- 1 Turn off the system and attached peripherals, and disconnect the system from the electrical outlet.
- 2 Open the system. See "Opening the System" on page 55.
- 3 Remove the expansion card stabilizer. See "Removing the Expansion Card Stabilizer" on page 70.


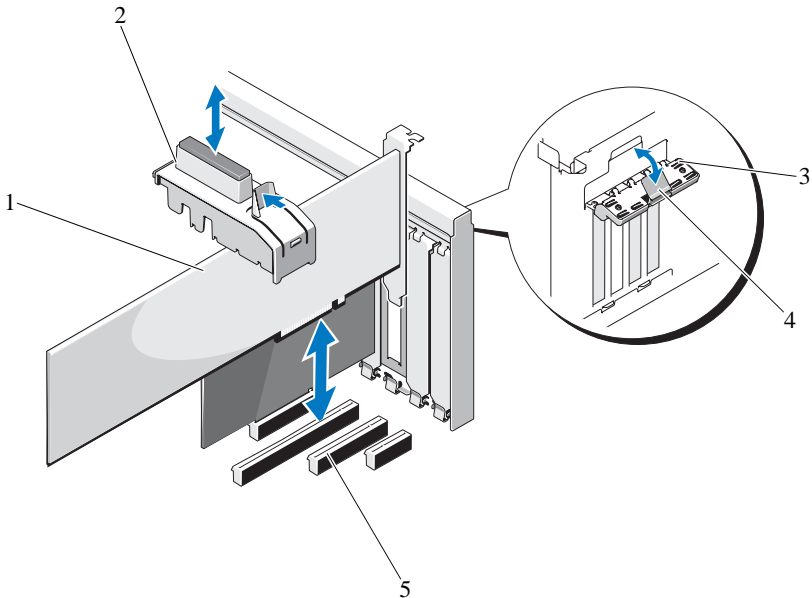
- 4 Disconnect all cables from the card.
- 5 Open the expansion-card latch. See Figure 3-13.
- 6 Grasp the expansion card by its edges, and carefully remove it from the expansion-card connector.
- 7 If you are removing the card permanently, install a metal filler bracket over the empty expansion slot opening and close the expansion-card latch.
  -  **NOTE:** Filler brackets must be installed over empty expansion card slots to maintain Federal Communications Commission (FCC) certification of the system. The brackets also keep dust and dirt out of the system and aid in proper cooling and airflow inside the system.
- 8 Replace the expansion card stabilizer. See "Installing the Expansion Card Stabilizer" on page 70.
- 9 Close the system. See "Closing the System" on page 56.
- 10 Reconnect the system and peripherals to their power sources, and turn them on.
- 11 Remove the card's device driver from the operating system.

Figure 3-13. Removing and Installing an Expansion Card




- |   |                      |   |                           |
|---|----------------------|---|---------------------------|
| 1 | expansion card       | 2 | expansion card stabilizer |
| 3 | expansion-card latch | 4 | release tab               |
| 5 | expansion-card slots |   |                           |

### Installing an Expansion Card

△ **CAUTION:** Many repairs may only be done by a certified service technician. You should only perform troubleshooting and simple repairs as authorized in your product documentation, or as directed by the online or telephone service and support team. Damage due to servicing that is not authorized by Bull is not covered by your warranty. Read and follow the safety instructions that came with the product.

1. Unpack the expansion card and prepare it for installation.  
For instructions, see the documentation accompanying the card.
2. Turn off the system and attached peripherals, and disconnect the system from the electrical outlet.



- 3 Open the system. See "Opening the System" on page 55.
- 4 Remove the expansion card stabilizer. See "Removing the Expansion Card Stabilizer" on page 70.
- 5 Open the expansion-card latch and remove the filler bracket. See Figure 3-13.
  -  **NOTE:** Keep this bracket in case you need to remove the expansion card. Filler brackets must be installed over empty expansion-card slots to maintain FCC certification of the system. The brackets also keep dust and dirt out of the system and aid in proper cooling and airflow inside the system.
- 6 Holding the card by its edges, position the card so that the card-edge connector aligns with the expansion-card connector on the expansion-card riser.
- 7 Insert the card-edge connector firmly into the expansion-card connector until the card is fully seated.
- 8 Close the expansion-card latch. See Figure 3-13.
- 9 Connect all cables to the expansion card.
- 10 Replace the expansion card stabilizer. See "Installing the Expansion Card Stabilizer" on page 70.
- 11 Close the system. See "Closing the System" on page 56.

## SAS Controller Expansion Card

Read the installation instructions in the documentation for your SAS controller card. Install the card in the expansion card connector (see "Installing an Expansion Card" on page 76), and connect the hard-drive activity indicator cable from the card to the HD\_ACT\_CARD (AUXLED1) connector on the system board (see Figure 6-1 for the connector location). Secure the cables to the slots to manage the slack.

See "Hard Drives" on page 66 for information about connecting hard drives.

# System Memory

Your system supports DDR3 ECC unbuffered memory modules (UDIMMs). The DIMMs can be 1066 or 1333-MHz. Single and dual-rank DIMMs can be 1066 or 1333-MHz.

The system contains four memory sockets, each two-socket set is organized into two channels. The first socket of each channel is marked with white release levers.

## General Memory Module Installation Guidelines

To ensure optimal performance of your system, observe the following general guidelines when configuring your system memory.



**NOTE:** Memory configurations that fail to observe these guidelines can prevent your system from starting or producing any video output.

- Except for memory channels that are unused, all populated memory channels must have identical configurations.
- Memory modules of different sizes can be mixed within a memory channel (for example, 2-GB and 4-GB), but all populated channels must have identical configurations.
- Memory modules are installed in the numeric order of the sockets beginning with DIMM\_A1 or DIMM\_B1.
- One or two DIMMs per channel can support up to 1333-Mhz.
- If memory modules with different speeds are installed, they operate at the speed of the slowest installed memory module(s).

## Mode-Specific Guidelines

Your system supports both single-channel and dual-channel mode. A minimal single-channel configuration of one 1-GB memory module is also supported in this mode.

Table 3-2 shows sample memory configurations that follow the appropriate memory guidelines stated in this section. The samples show identical memory-module configurations and their the physical and available memory totals. The table does not show mixed memory-module configurations, nor do they address the memory speed considerations of any configuration.

Table 3-2. Sample UDIMM Memory Configurations

Memory Module Size	Memory Sockets				Single Processor	
	1	3	2	4	Physical Memory (GB)	Available Memory (GB)
1-GB	X				1	all
	X		X		2	
	X	X	X	X	4	
2-GB	X				2	all
	X		X		4	
	X	X	X	X	8	
4-GB	X				4	all
	X		X		8	
	X	X	X	X	16	

## Removing Memory Modules





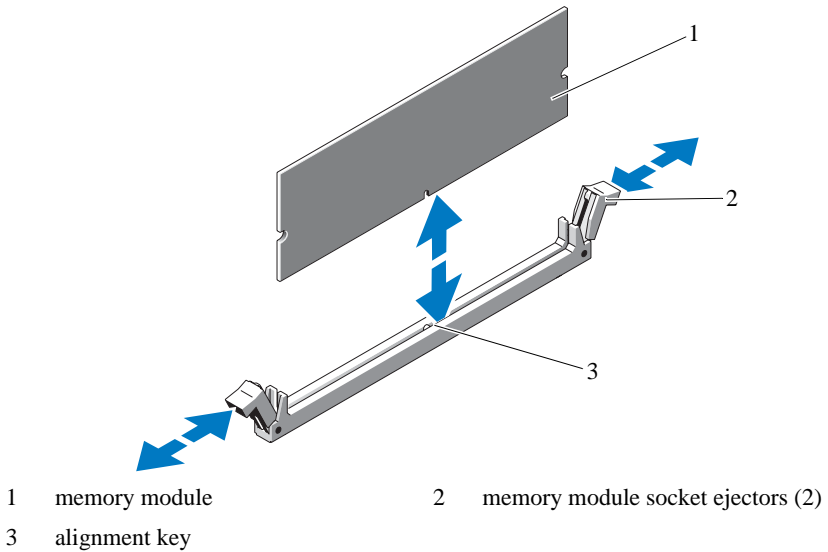
-  **WARNING:** The memory modules are hot to touch for some time after the system has been powered down. Allow time for the memory modules to cool before handling them. Handle the memory modules by the card edges and avoid touching the components on the memory module.
-  **CAUTION:** Many repairs may only be done by a certified service technician. You should only perform troubleshooting and simple repairs as authorized in your product documentation, or as directed by the online or telephone service and support team. Damage due to servicing that is not authorized by Bull is not covered by your warranty. Read and follow the safety instructions that came with the product.
-  **CAUTION:** To ensure proper system cooling, memory-module blanks must be installed in any memory socket that is not occupied. Install a memory-module blank if you are removing a memory module and do not intend to install a replacement.
  - 1 Turn off the system, including any attached peripherals, and disconnect the system from the electrical outlet and peripherals.
  - 2 Open the system. See "Opening the System" on page 55.
  - 3 Remove the expansion card stabilizer. See "Removing the Expansion Card Stabilizer" on page 70.
  - 4 Remove the cooling shroud. See "Removing the Cooling Shroud" on page 71.
  - 5 Locate the memory module sockets. See Figure 6-1.
-  **CAUTION:** Handle each memory module only by the card edges, ensuring not to touch the components on the module.
  - 6 Press down and out on the ejectors on each end of the socket until the memory module pops out of the socket. See Figure 3-14.
  - 7 Replace any removed memory modules with memory-module blanks to ensure proper system cooling. See "Installing Memory Modules" on page 81 for installation instructions.
  - 8 Replace the cooling shroud. See "Installing the Cooling Shroud" on page 72.
  - 9 Close the system. See "Closing the System" on page 56.

Figure 3-14. Installing and Removing a Memory Module





## Installing Memory Modules

**!** **WARNING:** The memory modules are hot to touch for some time after the system has been powered down. Allow time for the memory modules to cool before handling them. Handle the memory modules by the card edges and avoid touching the components on the memory module.

**△** **CAUTION:** Many repairs may only be done by a certified service technician. You should only perform troubleshooting and simple repairs as authorized in your product documentation, or as directed by the online or telephone service and support team. Damage due to servicing that is not authorized by Bull is not covered by your warranty. Read and follow the safety instructions that came with the product.

**△** **CAUTION:** To ensure proper system cooling, memory-module blanks must be installed in any memory socket that is not occupied. Remove memory-module blanks only if you intend to install memory in those sockets.

- 1 Turn off the system, including any attached peripherals, and disconnect the system from the electrical outlet and peripherals.
- 2 Open the system. See "Opening the System" on page 55.

- 3 Remove the expansion card stabilizer. See "Removing the Expansion Card Stabilizer" on page 70.
- 4 Remove the cooling shroud. See "Removing the Cooling Shroud" on page 71.
- 5 Locate the memory module sockets. See Figure 6-1.
- 6 Remove the memory-module blanks from the sockets in which you plan to install memory modules.
- 7 Press out the ejectors on each end of the socket until the memory-module blank pops out of the socket. See Figure 3-14.  
 **NOTE:** Make sure to retain any removed memory-module blanks for future use.
- 8 Handle each memory module only on either card edge, ensuring not to touch the middle of the memory module.
- 9 Align the memory module's edge connector with the alignment key of the memory module socket, and insert the memory module in the socket.  
 **NOTE:** The memory module socket has an alignment key that allows you to install the memory module in the socket in only one way.
- 10 Press down on the memory module with your thumbs until the socket levers latch into a locked position.  


When the memory module is properly seated in the socket, the levers on the memory module socket align with the levers on the other sockets that have memory modules installed.
- 11 Repeat step 6 through step 10 of this procedure to install the remaining memory modules. See Table 3-2.
- 12 Replace the expansion card stabilizer. See "Installing the Expansion Card Stabilizer" on page 70.
- 13 Replace the cooling shroud. See "Installing the Cooling Shroud" on page 72.
- 14 Close the system. See "Closing the System" on page 56.
- 15 Reconnect the system and peripherals to their power sources, and turn them on.
- 16 Press <F2> to enter the System Setup program, and check the **System Memory** setting on the main System Setup screen.

The system should have already changed the value to reflect the newly installed memory.


- 17 If the value is incorrect, one or more of the memory modules may not be installed properly. Repeat step 6 through step 10 of this procedure, checking to ensure that the memory modules are firmly seated in their sockets.
- 18 Run the system memory test in the system diagnostics. See "Running the System Diagnostics" on page 119.

## Processor


### Removing the Processor

 **CAUTION:** Many repairs may only be done by a certified service technician. You should only perform troubleshooting and simple repairs as authorized in your product documentation, or as directed by the online or telephone service and support team. Damage due to servicing that is not authorized by Bull is not covered by your warranty. Read and follow the safety instructions that came with the product.

- 1 Prior to upgrading your system, download the latest system BIOS version from **support.bull.com** and follow the instructions included in the compressed download file to install the update on your system.
- 2 Turn off the system, including any attached peripherals, and disconnect the system from the electrical outlet. When disconnected from AC power, press and hold the power button for 3 seconds to fully drain the system of stored power prior to removing the cover.

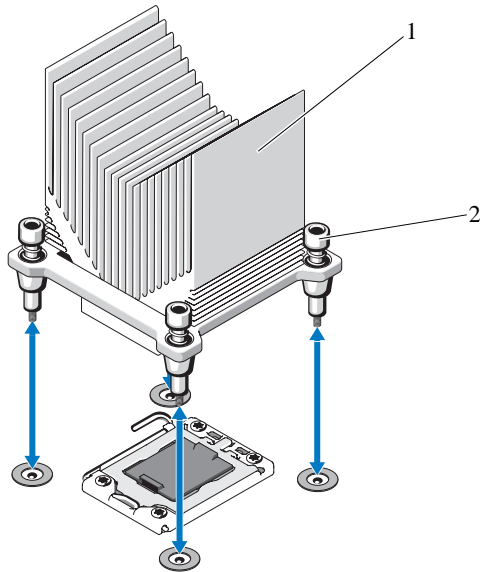
 **NOTE:** It is recommended that you always use a static mat and wrist grounding strap while working on components in the interior of the system.

- 3 Open the system. See "Opening the System" on page 55.
- 4 Remove the expansion card stabilizer. See "Removing the Expansion Card Stabilizer" on page 70.
- 5 Remove the cooling shroud. See "Removing the Cooling Shroud" on page 71.

 **WARNING:** The heat sink and processor are hot to touch for some time after the system has been powered down. Allow the heat sink and processor to cool before handling them.

- △ CAUTION: Never remove the heat sink from a processor unless you intend to remove the processor. The heat sink is necessary to maintain proper thermal conditions.
- 6 Using a #2 Phillips screwdriver, loosen one of the heat-sink retention screws. See Figure 3-15.
  - 7 Wait 30 seconds for the heat sink to loosen from the processor.
  - 8 Repeat step 6 and step 7 to loosen the other three heat-sink retention screws.
  - 9 Gently lift the heat sink off of the processor and set the heat sink aside upside down (thermal grease side facing up).

Figure 3-15. Installing and Removing the Heat Sink



1 heat sink

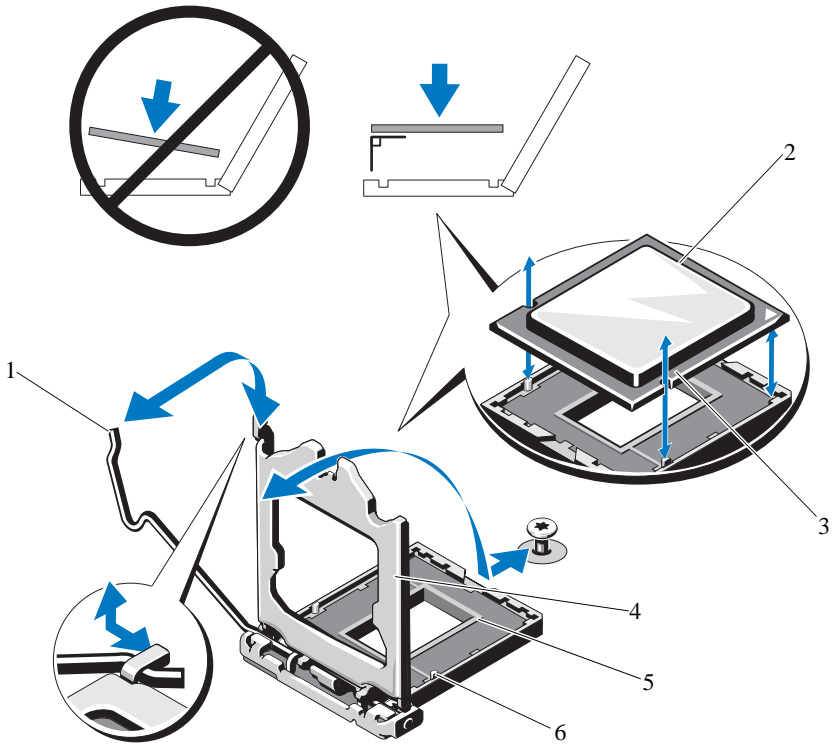
2 heat sink retention screws (4)

- △ CAUTION: The processor is held in its socket under strong pressure. Be aware that the release lever can spring up suddenly if not firmly grasped.
- 10 Position your thumb firmly over the processor socket-release lever and release the lever from the locked position by pushing down and pulling out from under the tab. Rotate the lever 90 degrees upward until the processor is released from the socket. See Figure 3-16.



- 11 Use the tab on the processor shield to rotate shield upward and out of the way. See Figure 3-16.

Figure 3-16. Removing a Processor



- |   |                          |   |                  |
|---|--------------------------|---|------------------|
| 1 | socket-release lever     | 2 | processor        |
| 3 | notches in processor (2) | 4 | processor shield |
| 5 | ZIF socket               | 6 | socket keys (2)  |

**CAUTION:** Be careful not to bend any of the pins on the ZIF socket when removing the processor. Bending the pins can permanently damage the system board.

- 12 Carefully, lift the processor out of the socket and leave the release lever up so that the socket is ready for the new processor.


## Installing a Processor

- 1 Unpack the new processor.
- 2 Align the processor with the socket keys on the ZIF socket. See Figure 3-16.
- △ CAUTION: Positioning the processor incorrectly can permanently damage the system board or the processor. Be careful not to bend the pins in the socket.
- 3 With the release lever on the processor socket in the open position, align the processor with the socket keys and set the processor lightly in the socket.
- △ CAUTION: Do not use force to seat the processor. When the processor is positioned correctly, it engages easily into the socket.
- 4 Close the processor shield.
- 5 Rotate the socket release lever down until it snaps into place.
- 6 Using a clean lint-free cloth, remove the thermal grease from the heat sink.
- 7 Open the grease packet included with your processor kit and apply thermal grease evenly to the top of the new processor.
- 8 Place the heat sink on the processor. See Figure 3-16.
- 9 Using a #2 Phillips screwdriver, tighten the heat-sink retention screws. See Figure 3-15.
- 10 Replace the cooling shroud. See "Installing the Cooling Shroud" on page 72.
- 11 Replace the expansion card stabilizer. See "Installing the Expansion Card Stabilizer" on page 70.
- 12 Close the system. See "Closing the System" on page 56.
- 13 Reconnect the system and peripherals to their power sources, and turn them on.
- 14 Press <F2> to enter the System Setup program, and check that the processor information matches the new system configuration. See "Entering the System Setup Program" on page 34.
- 15 Run the system diagnostics to verify that the new processor operates correctly. See "Running the Embedded System Diagnostics" on page 120 for information about running the diagnostics.

# Cooling Fan

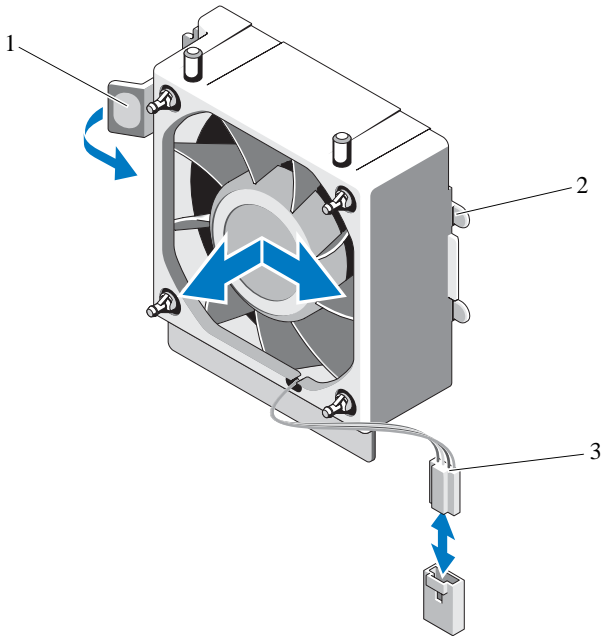
Your system has one cooling fan.

## Removing the Cooling Fan

 **CAUTION:** Many repairs may only be done by a certified service technician. You should only perform troubleshooting and simple repairs as authorized in your product documentation, or as directed by the online or telephone service and support team. Damage due to servicing that is not authorized by Bull is not covered by your warranty. Read and follow the safety instructions that came with the product.

- 1 Turn off the system and attached peripherals, and disconnect the system from the electrical outlet.
- 2 Open the system. See "Opening the System" on page 55.
- 3 Remove the expansion card stabilizer. See "Removing the Expansion Card Stabilizer" on page 70.
- 4 Remove the cooling shroud. See "Removing the Cooling Shroud" on page 71.
- 5 Disconnect the fan's power cable from the system board.
- 6 Pull the fan release tab and slide the fan out of the securing slots on the chassis, and lift the fan out.

Figure 3-17. Removing and Installing the Cooling Fan



- 1 release tab
- 2 securing tabs
- 3 power cable

### Installing the Cooling Fan


**CAUTION:** Many repairs may only be done by a certified service technician. You should only perform troubleshooting and simple repairs as authorized in your product documentation, or as directed by the online or telephone service and support team. Damage due to servicing that is not authorized by Bull is not covered by your warranty. Read and follow the safety instructions that came with the product.


- 1 Align the tabs on the system fan with the securing slots on the chassis.
- 2 Slide the system fan into the securing slots until the tabs lock into place.
- 3 Connect the fan cable to the system board. See Figure 6-1 for the location of the connector.

- 4 Replace expansion card stabilizer. See "Installing the Expansion Card Stabilizer" on page 70.
- 5 Replace the cooling shroud. See "Installing the Cooling Shroud" on page 72.
- 6 Close the system. See "Closing the System" on page 56.


## System Battery

### Replacing the System Battery

 **WARNING:** There is a danger of a new battery exploding if it is incorrectly installed. Replace the battery only with the same or equivalent type recommended by the manufacturer. See your safety information for additional info.

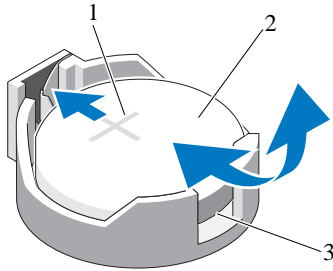
 **CAUTION:** Many repairs may only be done by a certified service technician. You should only perform troubleshooting and simple repairs as authorized in your product documentation, or as directed by the online or telephone service and support team. Damage due to servicing that is not authorized by Bull is not covered by your warranty. Read and follow the safety instructions that came with the product.

- 1 Turn off the system, including any attached peripherals, and disconnect the system from the electrical outlet.
- 2 Open the system. See "Opening the System" on page 55.
- 3 Locate the battery socket. See Figure 6-1.

 **CAUTION:** To avoid damage to the battery connector, you must firmly support the connector while installing or removing a battery.

- 4 To remove the system battery, push the metal tab away from the battery until the battery pops out.


Figure 3-18. Replacing the System Battery



- 1 positive side of battery connector
- 2 system battery
- 3 negative side of battery connector
- 5 To install the new system battery, hold the battery with the "+" facing up, and aligned to the metal tab on the socket. Press the battery straight down into the socket until it snaps into place.
- 6 Close the system. See "Closing the System" on page 56.
- 7 Enter the System Setup program to confirm that the battery is operating properly. See "Using the System Setup Program and UEFI Boot Manager" on page 33.
- 8 Enter the correct time and date in the System Setup program's **Time** and **Date** fields.
- 9 Exit the System Setup program.

# Power Supply

## Removing the Power Supply

 **CAUTION:** Many repairs may only be done by a certified service technician. You should only perform troubleshooting and simple repairs as authorized in your product documentation, or as directed by the online or telephone service and support team. Damage due to servicing that is not authorized by Bull is not covered by your warranty. Read and follow the safety instructions that came with the product.

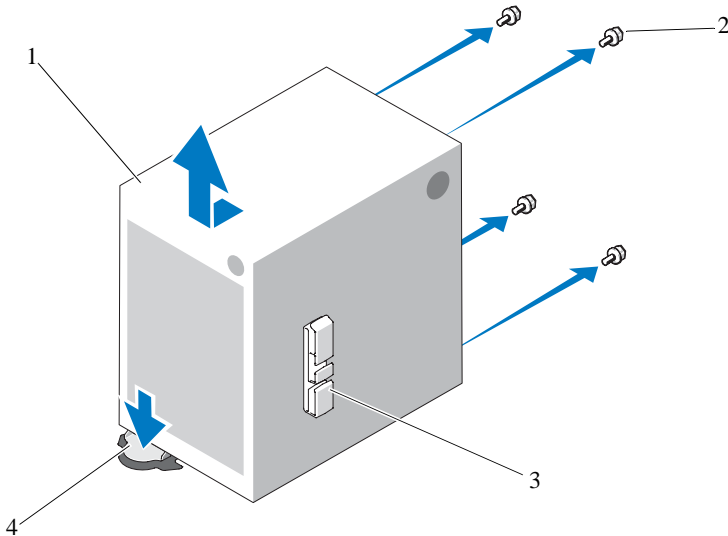
- 1 Turn off the system and attached peripherals, and disconnect the system from the electrical outlet.
- 2 Open the system. See "Opening the System" on page 55.
- 3 Remove the expansion card stabilizer. See "Removing the Expansion Card Stabilizer" on page 70.
- 4 Remove the cooling shroud. See "Removing the Cooling Shroud" on page 71.
- 5 Disconnect all the power cables from the system board and drives.



**NOTE:** Note the routing of the DC power cables underneath the tabs in the system frame as you release the tabs and remove the cables from the system board and drives. You must route these cables properly when you replace them to prevent their being pinched or crimped.

- 6 Remove the cables secured to the cable clip on the side of the power supply.
- 7 Using a #2 Phillips screwdriver, remove the four screws that secure the power supply to the back panel.
- 8 Press the power-supply release tab down and slide the power supply toward the front of the system.
- 9 Lift the power-supply out of the chassis. See Figure 3-19.
- 10 Remove the cable clip and set it aside to attach to the new power supply.

Figure 3-19. Removing the Power Supply



- |   |              |   |                          |
|---|--------------|---|--------------------------|
| 1 | power supply | 2 | screws (4)               |
| 3 | cable clip   | 4 | power-supply release tab |

### Installing the Power Supply


- 1 Attach the cable clip to the new power supply.
- 2 Align the power supply mounting holes with the mounting holes on the back panel.
- 3 Slide the power supply toward the back panel until it snaps into place over the power-supply release tab.
- 4 Using a #2 Phillips screwdriver, install the four screws that secure the power supply to the back panel.
- 5 Secure the I/O panel and SATA cables (if present) to the routing clip on the side of the power supply.
- 6 Connect all the power cables to the system board and drives.
- 7 Replace the cooling shroud. See "Installing the Cooling Shroud" on page 72.



- 8 Replace the expansion card stabilizer. See "Installing the Expansion Card Stabilizer" on page 70.
- 9 Close the system. See "Closing the System" on page 56.

## Internal USB Memory Key

An optional USB memory key installed inside your system can be used as a boot device, security key, or mass storage device.

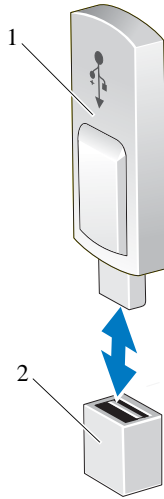
 **CAUTION:** Many repairs may only be done by a certified service technician. You should only perform troubleshooting and simple repairs as authorized in your product documentation, or as directed by the online or telephone service and support team. Damage due to servicing that is not authorized by Bull is not covered by your warranty. Read and follow the safety instructions that came with the product.

- 1 Turn off the system, including any attached peripherals, and disconnect the system from the electrical outlet.
- 2 Open the system. See "Opening the System" on page 55.
- 3 Locate the USB connector on the system board. See Figure 6-1.
- 4 Insert the USB memory key into the USB connector. See Figure 3-20.
- 5 Close the system. See "Closing the System" on page 56.
- 6 Enter the System Setup program and verify that the USB key has been detected by the system. See "Using the System Setup Program and UEFI Boot Manager" on page 33.

The USB connector must be enabled by the **Internal USB Port** option in the **Integrated Devices** screen of the System Setup program. See "Integrated Devices Screen" on page 40.

To boot from the USB memory key, configure the USB memory key with a boot image and then specify the USB memory key in the boot sequence in the System Setup program.

Figure 3-20. Removing or Installing a USB Memory Key



1 USB memory key

2 USB memory key connector

## Chassis Intrusion Switch

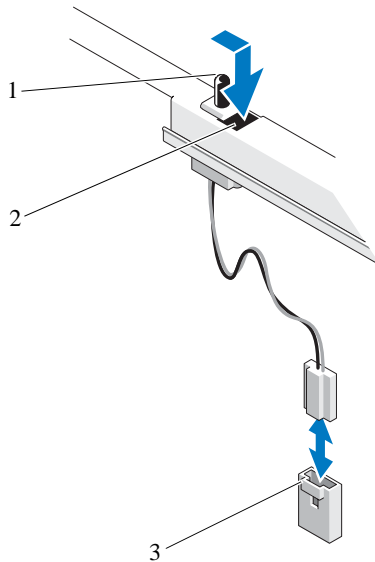
### Removing the Chassis Intrusion Switch

**CAUTION:** Many repairs may only be done by a certified service technician. You should only perform troubleshooting and simple repairs as authorized in your product documentation, or as directed by the online or telephone service and support team. Damage due to servicing that is not authorized by Bull is not covered by your warranty. Read and follow the safety instructions that came with the product.

- 1 Turn off the system and attached peripherals, and disconnect the system from the electrical outlet.
- 2 Open the system. See "Opening the System" on page 55.
- 3 Disconnect the chassis intrusion switch cable from the INTRUSION connector on the system board. See Figure 6-1.
- 4 Slide the chassis intrusion switch out of the securing bracket notch. See Figure 3-21.

- 5 Remove the switch and its attached cable from the system.

Figure 3-21. Removing and Installing the Chassis Intrusion Switch




- |   |                          |   |                        |
|---|--------------------------|---|------------------------|
| 1 | chassis intrusion switch | 2 | securing bracket notch |
| 3 | INTRUSION connector      |   |                        |

### Installing the Chassis Intrusion Switch


- 1 Align the chassis intrusion switch with the securing bracket notch. See Figure 3-21.
- 2 Slide the switch into the securing bracket notch.
- 3 Connect the switch cable to the INTRUSION connector on the system board. See Figure 6-1.
- 4 Close the system. See "Closing the System" on page 56.

# Control Panel Assembly

 **CAUTION:** Many repairs may only be done by a certified service technician. You should only perform troubleshooting and simple repairs as authorized in your product documentation, or as directed by the online or telephone service and support team. Damage due to servicing that is not authorized by Bull is not covered by your warranty. Read and follow the safety instructions that came with the product.

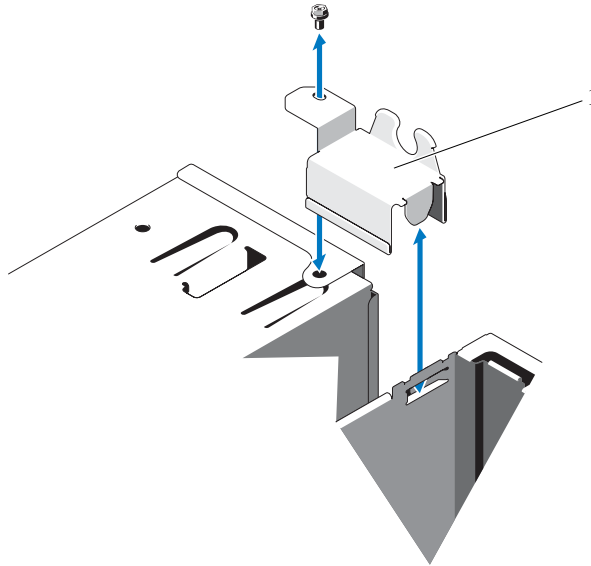
## Removing the Control Panel Assembly

- 1 Turn off the system and attached peripherals, and disconnect the system from the electrical outlet.
- 2 Open the system. See "Opening the System" on page 55.
- 3 Remove the front bezel. See "Removing the Front Bezel" on page 57.
- 4 Disconnect the control panel cable from the system board:

 **CAUTION:** Do not pull on the cable to unseat the connector. Doing so can damage the cable.

- a Press the metal tabs on the ends of the cable connector.
  - b Gently work the connector out of the socket.
- 5 Remove the screw holding the link bracket lock and lift the link bracket lock out of the system.

Figure 3-22. Removing the Link Bracket Lock



1 link bracket lock

6 Remove the mounting screw holding the control panel assembly to the front chassis. See Figure 3-23.

7 Lift the control panel assembly out of the system.

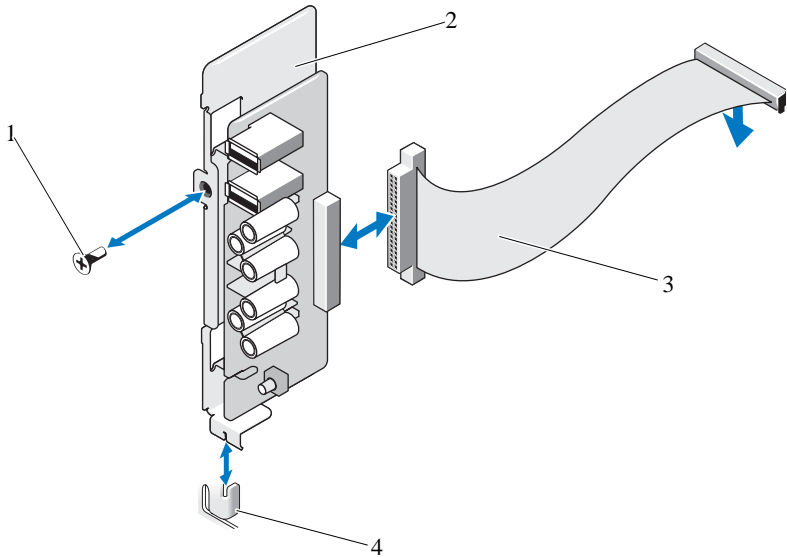
8 Disconnect the control panel cable from the control panel assembly:

△ CAUTION: Do not pull on the cable to unseat the connector. Doing so can damage the cable.

a Press the metal tabs on the ends of the cable connector.

b Gently work the connector out of the socket.

Figure 3-23. Removing and Installing the Control Panel Assembly



- |   |                     |   |                     |
|---|---------------------|---|---------------------|
| 1 | mounting screw      | 2 | control panel board |
| 3 | control panel cable | 4 | standoff            |

### Installing the Control Panel Assembly




**CAUTION:** Many repairs may only be done by a certified service technician. You should only perform troubleshooting and simple repairs as authorized in your product documentation, or as directed by the online or telephone service and support team. Damage due to servicing that is not authorized by Bull is not covered by your warranty. Read and follow the safety instructions that came with the product.

- 1 Connect the control panel cable to the control panel board.
- 2 Align the slot in the control panel board with the standoff on the chassis and secure with the screw. See Figure 3-23.
- 3 Secure the link bracket lock by replacing the screw. See Figure 3-23.
- 4 Secure the control panel cable through the clips beneath the optional tape or optical drive and on the side of the power supply unit.

- 5 Connect the control panel cable to the system board.
- 6 Replace the front bezel. See "Installing the Front Bezel" on page 58.
- 7 Close the system. See "Closing the System" on page 56.

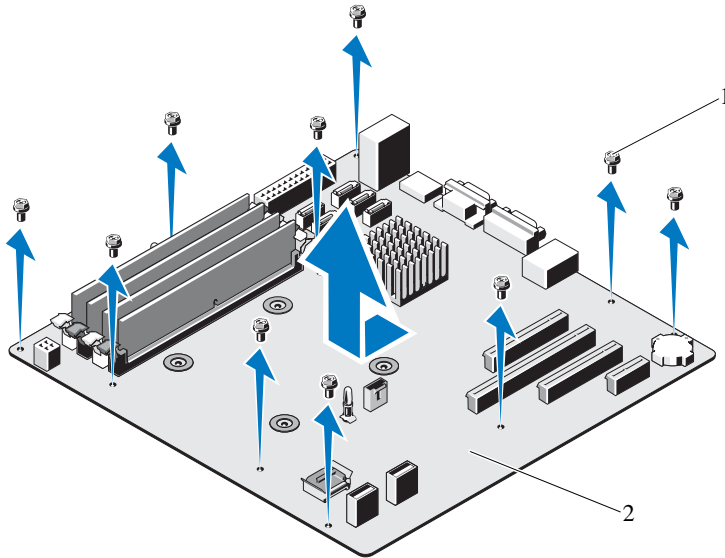
## System Board

### Removing the System Board

-  **WARNING:** The heat sink can get hot during operation. To avoid burns, ensure that the system has sufficient time to cool before removing the system board.
  -  **CAUTION:** Many repairs may only be done by a certified service technician. You should only perform troubleshooting and simple repairs as authorized in your product documentation, or as directed by the online or telephone service and support team. Damage due to servicing that is not authorized by Bull is not covered by your warranty. Read and follow the safety instructions that came with the product.
  -  **CAUTION:** If you are using the Trusted Platform Module (TPM) with an encryption program, you may be prompted to create a recovery key during system or program setup. Be sure to create and safely store this recovery key. If you ever need to replace the system board, you must supply the recovery key when you restart your system or program before you can access the encrypted data on your hard drive(s).
- 1 Turn off the system and attached peripherals, and disconnect the system from the electrical outlet.
  - 2 Open the system. See "Opening the System" on page 55.
  - 3 Remove expansion card stabilizer. See "Removing the Expansion Card Stabilizer" on page 70.
  - 4 Remove the cooling shroud. See "Removing the Cooling Shroud" on page 71.
  - 5 Disconnect all cables from the system board.
  - 6 Remove the cooling fan. See "Removing the Cooling Fan" on page 87.
  - 7 Remove all expansion cards and any attached cables. See "Removing an Expansion Card" on page 74.
  - 8 Remove all memory modules. See "Removing Memory Modules" on page 80.

- ⚠ **CAUTION:** The processor and heat sink can become extremely hot. Allow sufficient time for the processor and heat sink to cool before handling.
- 9 Remove the processor heat sink. See "Removing the Processor" on page 83.
  - 10 Using a #2 Phillips screwdriver, remove the ten screws securing the system board to the chassis and then slide the system board toward the front end of the chassis.
- ⚠ **CAUTION:** Do not lift the system board by grasping a memory module, processor, or other components.
- 11 Grasp the system board by the edges of the system board and lift the system board out of the chassis. See Figure 3-24.

Figure 3-24. Removing and Installing the System Board



1 screws (10)


2 system board

### Installing the System Board

- 1 Unpack the new system board.
- 2 Remove the labels from the processor shield and affix them to the system identification panel on the front of the system. See Figure 3-24.



- 3 Holding the system board by its edges, lower the system board into the chassis.

 **CAUTION:** Do not lift the system board by grasping a memory module, processor, or other components.

- 4 Slightly lift up the front of the system board and maneuver the system board to the bottom of the chassis until it lays completely flat.
- 5 Push the system board toward the back of the chassis until the board is in place.
- 6 Tighten the ten screws to secure the system board to the chassis. See Figure 6-1.
- 7 Transfer the processor to the new system board. See "Removing the Processor" on page 83 and "Installing a Processor" on page 86.
- 8 Replace all the memory modules and memory blanks. See "Installing Memory Modules" on page 81.
- 9 Connect the cables in the order listed below (see Figure 6-1 for the locations of the connectors on the system board):
  - SATA interface cable, if applicable
  - Control panel interface cable
  - Optical/tape drive power cable
  - System board power cables
- 10 Install all expansion cards. See "Installing an Expansion Card" on page 76.
- 11 Replace the cooling fan. See "Installing the Cooling Fan" on page 88.
- 12 Replace the heat sink. See "Installing a Processor" on page 86.
- 13 Replace the cooling shroud. See "Installing the Cooling Shroud" on page 72.
- 14 Replace the expansion card stabilizer. See "Installing the Expansion Card Stabilizer" on page 70.
- 15 Close the system. See "Closing the System" on page 56.



# Troubleshooting Your System

## Safety First—For You and Your System

△ **CAUTION:** Many repairs may only be done by a certified service technician. You should only perform troubleshooting and simple repairs as authorized in your product documentation, or as directed by the online or telephone service and support team. Damage due to servicing that is not authorized by Bull is not covered by your warranty. Read and follow the safety instructions that came with the product.

## Troubleshooting System Startup Failure

If your system halts during startup prior to video output, especially after installing an operating system or reconfiguring your system's hardware, check for the following conditions:

- If you boot the system to the BIOS boot mode after installing an operating system from the UEFI Boot Manager, the system hangs. The reverse is also true. You must boot to the same boot mode in which you installed the operating system. See "Using the System Setup Program and UEFI Boot Manager" on page 33.
- Invalid memory configurations could cause the system to halt at startup without any video output. See "System Memory" on page 78.

For all other startup issues, note the system messages that appear onscreen. See "System Messages" on page 18 for more information.

## Troubleshooting External Connections

Ensure that all external cables are securely attached to the external connectors on your system before troubleshooting any external devices. See Figure 1-1 and Figure 1-2 for the front- and back-panel connectors on your system.

## Troubleshooting the Video Subsystem

- 1 Check the system and power connections to the monitor.

- 2 Check the video interface cabling from the system to the monitor.
- 3 Run the appropriate online diagnostic test. See "Using Online Diagnostics" on page 119.

If the tests run successfully, the problem is not related to video hardware.

If the tests fail, see "Getting Help" on page 127.

## Troubleshooting a USB Device

Use the following steps to troubleshoot a USB keyboard/mouse. For other USB devices, go to step 4.

- 1 Disconnect the keyboard and mouse cables from the system briefly and reconnect them.
- 2 Connect the keyboard/mouse to the USB port(s) on the opposite side of the system.
- 3 If the problem is resolved, restart the system, enter the System Setup program, and check if the nonfunctioning USB ports are enabled.
- 4 Replace the keyboard/mouse with another working keyboard/mouse.
- 5 If the problem is resolved, replace the faulty keyboard/mouse.
- 6 If the problem is not resolved, proceed to the next step to begin troubleshooting the other USB devices attached to the system.
- 7 Power down all attached USB devices and disconnect them from the system.
- 8 Restart the system and, if your keyboard is functioning, enter the system setup program. Verify that all USB ports are enabled. See "Integrated Devices Screen" on page 40.

If your keyboard is not functioning, you can also use remote access. If the system is not accessible, see "Disabling a Forgotten Password" on page 126 for instructions on setting the NVRAM\_CLR jumper inside your system and restoring the BIOS to the default settings.

- 9 Reconnect and power on each USB device one at a time.
- 10 If a device causes the same problem, power down the device, replace the USB cable, and power up the device.

If the problem persists, replace the device.

If all troubleshooting fails, see "Getting Help" on page 127.

## Troubleshooting a Serial I/O Device

- 1 Turn off the system and any peripheral devices connected to the serial port.
- 2 Swap the serial interface cable with a working cable, and turn on the system and the serial device.

If the problem is resolved, replace the interface cable.

- 3 Turn off the system and the serial device, and swap the device with a comparable device.
- 4 Turn on the system and the serial device.

If the problem is resolved, replace the serial device.

If the problem persists, see "Getting Help" on page 127.

## Troubleshooting a NIC

- 1 Run the appropriate online diagnostic test. See "Using Online Diagnostics" on page 119.
- 2 Restart the system and check for any system messages pertaining to the NIC controller.
- 3 Check the appropriate indicator on the NIC connector:
  - If the link indicator does not light, check all cable connections.
  - If the activity indicator does not light, the network driver files might be damaged or missing.  
Remove and reinstall the drivers if applicable. See the NIC's documentation.
  - Change the autonegotiation setting, if possible.
  - Use another connector on the switch or hub.  
See "NIC Indicator Codes" on page 14.
- 4 Ensure that the appropriate drivers are installed and the protocols are bound. See the NIC's documentation.
- 5 Enter the System Setup program and confirm that the NIC ports are enabled. See "Integrated Devices Screen" on page 40.

- 6 Ensure that the NICs, hubs, and switches on the network are all set to the same data transmission speed and duplex. See the documentation for each network device.
- 7 Ensure that all network cables are of the proper type and do not exceed the maximum length.

If all troubleshooting fails, see "Getting Help" on page 127.

## Troubleshooting a Wet System




**CAUTION:** Many repairs may only be done by a certified service technician. You should only perform troubleshooting and simple repairs as authorized in your product documentation, or as directed by the online or telephone service and support team. Damage due to servicing that is not authorized by Bull is not covered by your warranty. Read and follow the safety instructions that came with the product.

- 1 Turn off the system and attached peripherals, and disconnect the system from the electrical outlet.
- 2 Open the system. See "Opening the System" on page 55.
- 3 Disassemble components from the system. See "Installing System Components" on page 53.
  - Hard drives
  - USB memory key
  - Cooling shroud and expansion card stabilizer
  - Expansion cards
  - Power supply
  - Cooling fan
  - Processor and heat sink
  - Memory modules
- 4 Let the system dry thoroughly for at least 24 hours.
- 5 Reinstall the components you removed in step 3.
- 6 Close the system. See "Closing the System" on page 56.
- 7 Turn on the system and attached peripherals.

If the system does not start properly, see "Getting Help" on page 127.


- 8 If the system starts properly, shut down the system and reinstall all of the expansion cards that you removed. See "Installing an Expansion Card" on page 76.
- 9 Run the appropriate online diagnostic test. See "Using Online Diagnostics" on page 119.  
If the tests fail, see "Getting Help" on page 127.


## Troubleshooting a Damaged System

 **CAUTION:** Many repairs may only be done by a certified service technician. You should only perform troubleshooting and simple repairs as authorized in your product documentation, or as directed by the online or telephone service and support team. Damage due to servicing that is not authorized by Bull is not covered by your warranty. Read and follow the safety instructions that came with the product.

- 1 Turn off the system and attached peripherals, and disconnect the system from the electrical outlet.
- 2 Open the system. See "Opening the System" on page 55.
- 3 Ensure that the following components are properly installed:
  - Cooling shroud and expansion card stabilizer
  - Expansion cards
  - Power supply
  - Cooling fan
  - Processor and heat sink
  - Memory modules
  - Hard-drive carriers
- 4 Ensure that all cables are properly connected.
- 5 Close the system. See "Closing the System" on page 56.
- 6 Run the system board tests in the system diagnostics. See "Running the System Diagnostics" on page 119.  
If the tests fail, see "Getting Help" on page 127.

# Troubleshooting the System Battery


 **CAUTION:** Many repairs may only be done by a certified service technician. You should only perform troubleshooting and simple repairs as authorized in your product documentation, or as directed by the online or telephone service and support team. Damage due to servicing that is not authorized by Bull is not covered by your warranty. Read and follow the safety instructions that came with the product.

 **NOTE:** If the system is turned off for long periods of time (for weeks or months), the NVRAM may lose its system configuration information. This situation is caused by a defective battery.

- 1 Re-enter the time and date through the System Setup program. See "Using the System Setup Program and UEFI Boot Manager" on page 33.
- 2 Turn off the system and disconnect it from the electrical outlet for at least one hour.
- 3 Reconnect the system to the electrical outlet and turn on the system.
- 4 Enter the System Setup program.

If the date and time are not correct in the System Setup program, replace the battery. See "Replacing the System Battery" on page 89.


If the problem is not resolved by replacing the battery, see "Getting Help" on page 127.

 **NOTE:** Some software may cause the system time to speed up or slow down. If the system seems to operate normally except for the time kept in the System Setup program, the problem may be caused by software rather than by a defective battery.



## Troubleshooting Power Supply


- 1 Reseat the power supply by removing and reinstalling it. See "Removing the Power Supply" on page 91 and "Installing the Power Supply" on page 92.

 **NOTE:** After installing a power supply, allow several seconds for the system to recognize the power supply and to determine if it is working properly.

If the problem persists, replace the faulty power supply.

- 2 If the problem persists, see "Getting Help" on page 127.

## Troubleshooting System Cooling Problems

 **CAUTION:** Many repairs may only be done by a certified service technician. You should only perform troubleshooting and simple repairs as authorized in your product documentation, or as directed by the online or telephone service and support team. Damage due to servicing that is not authorized by Bull is not covered by your warranty. Read and follow the safety instructions that came with the product.

Ensure that none of the following conditions exist:

- System cover, cooling shroud, EMI filler panel, memory-module blank, or back filler bracket is removed.
- Ambient temperature is too high.
- External airflow is obstructed.
- The cooling fan is removed or has failed. See "Troubleshooting Cooling Fan" on page 110.
- The expansion card installation guidelines have not been followed. See "Expansion Card Installation Guidelines" on page 73.

# Troubleshooting Cooling Fan



**CAUTION:** Many repairs may only be done by a certified service technician. You should only perform troubleshooting and simple repairs as authorized in your product documentation, or as directed by the online or telephone service and support team. Damage due to servicing that is not authorized by Bull is not covered by your warranty. Read and follow the safety instructions that came with the product.

- 1 Turn off the system and all attached peripherals.
- 2 Open the system. See "Opening the System" on page 55.
- 3 Reseat the fan's power cable.
- 4 Restart the system.


If the fan functions properly, close the system. See "Closing the System" on page 56.


- 5 If the fan does not function, turn off the system and install a new fan. See "Installing the Cooling Fan" on page 88.
- 6 Close the system. See "Closing the System" on page 56.
- 7 Restart the system.

If the problem is resolved, close the system. See "Closing the System" on page 56.

If the replacement fan does not operate, see "Getting Help" on page 127.

## Troubleshooting System Memory


 **CAUTION:** Many repairs may only be done by a certified service technician. You should only perform troubleshooting and simple repairs as authorized in your product documentation, or as directed by the online or telephone service and support team. Damage due to servicing that is not authorized by Bull is not covered by your warranty. Read and follow the safety instructions that came with the product.

 **NOTE:** Invalid memory configurations can cause your system to halt at startup without video output. See "General Memory Module Installation Guidelines" on page 78 and verify that your memory configuration complies with all applicable guidelines.

- 1 If the system is operational, run the appropriate online diagnostic test. See "Using Online Diagnostics" on page 119.  
If diagnostics indicates a fault, follow the corrective actions provided by the diagnostic program.
- 2 If the system is not operational, turn off the system and attached peripherals, and unplug the system from the power source. Wait at least 10 seconds and then reconnect the system to power.
- 3 Turn on the system and attached peripherals and note the messages on the screen.  
Go to step 12 if an error message appears indicating a fault with a specific memory module.
- 4 Enter the System Setup program and check the system memory setting. See "Memory Settings Screen" on page 37. Make any changes to the memory settings, if needed.  
If the memory settings match the installed memory but a problem is still indicated, go to step 12.
- 5 Turn off the system and attached peripherals, and disconnect the system from the electrical outlet.
- 6 Open the system. See "Opening the System" on page 55.
- 7 Check the memory channels and ensure that they are populated correctly. See "General Memory Module Installation Guidelines" on page 78.
- 8 Reseat the memory modules in their sockets. See "Installing Memory Modules" on page 81.

- 9 Close the system. See "Closing the System" on page 56.
- 10 Enter the System Setup program and check the system memory setting. See "Memory Settings Screen" on page 37.  
If the problem is not resolved, proceed with the next step.
- 11 Open the system. See "Opening the System" on page 55.
- 12 If a diagnostic test or error message indicates a specific memory module as faulty, swap or replace the module.
- 13 To troubleshoot an unspecified faulty memory module, replace the memory module in the first DIMM socket with a module of the same type and capacity. See "Installing Memory Modules" on page 81.
- 14 Close the system. See "Closing the System" on page 56.
- 15 As the system boots, observe any error message that appears and the diagnostic indicators on the front of the system.
- 16 If the memory problem is still indicated, repeat step 12 through step 15 for each memory module installed.  
If the problem persists after all memory modules have been checked, see "Getting Help" on page 127.


## Troubleshooting an Internal USB Key

 **CAUTION:** Many repairs may only be done by a certified service technician. You should only perform troubleshooting and simple repairs as authorized in your product documentation, or as directed by the online or telephone service and support team. Damage due to servicing that is not authorized by Bull is not covered by your warranty. Read and follow the safety instructions that came with the product.

- 1 Enter the System Setup program and ensure that the USB key port is enabled. See "Integrated Devices Screen" on page 40.
- 2 Turn off the system and attached peripherals, and disconnect the system from the electrical outlet.
- 3 Open the system. See "Opening the System" on page 55.
- 4 Locate the USB key and reseal it.
- 5 Close the system. See "Closing the System" on page 56.

- 6 Turn on the system and attached peripherals and check if the USB key is functioning.
- 7 If the problem is not resolved, repeat step 2 and step 3.
- 8 Insert a different USB key that you know works properly.
- 9 Close the system. See "Closing the System" on page 56.  
If the problem is not resolved, see "Getting Help" on page 127.

## Troubleshooting an Optical Drive

 **CAUTION:** Many repairs may only be done by a certified service technician. You should only perform troubleshooting and simple repairs as authorized in your product documentation, or as directed by the online or telephone service and support team. Damage due to servicing that is not authorized by Bull is not covered by your warranty. Read and follow the safety instructions that came with the product.

- 1 Try using a different CD or DVD.
- 2 Enter the System Setup program and ensure that the integrated SATA controller and the drive's SATA port are enabled. See "Using the System Setup Program and UEFI Boot Manager" on page 33.
- 3 Run the appropriate online diagnostic test. See "Using Online Diagnostics" on page 119.
- 4 Turn off the system and attached peripherals, and disconnect the system from the electrical outlet.
- 5 Open the system. See "Opening the System" on page 55.
- 6 Remove the front bezel. See "Removing the Front Bezel" on page 57.
- 7 Ensure that the interface cable is securely connected to the optical drive and to the controller.
- 8 Ensure that a power cable is properly connected to the drive.
- 9 Close the system. See "Closing the System" on page 56.  
If the problem is not resolved, see "Getting Help" on page 127.

# Troubleshooting a Tape Backup Unit

- 1 Try using a different tape cartridge.
- 2 Ensure that the device drivers for the tape backup unit are installed and are configured correctly. See your tape drive documentation for more information about device drivers.
- 3 Reinstall the tape-backup software as instructed in the tape-backup software documentation.
- 4 For external tape drives, ensure that the tape drive's interface cable is fully connected to the external port on the controller card. For internal tape drives, check the cable connections:
  - a Turn off the system and attached peripherals, and disconnect the system from the electrical outlet.
  - b Open the system. See "Opening the System" on page 55.
  - c Reseat the controller card in the expansion card slot.
  - d Ensure that the tape drive's interface cable is fully connected to the tape drive and to the connector on the controller card (SAS or SCSI).
  - e Ensure that a power cable is properly connected to the drive and to the system board.
  - f Close the system. See "Closing the System" on page 56.
- 5 For SCSI tape drives, verify that the tape drive is configured for a unique SCSI ID number and that the tape drive is terminated or not terminated, based on the interface cable used to connect the drive.

See the documentation for the tape drive for instructions on selecting the SCSI ID number and enabling or disabling termination.
- 6 Run the appropriate online diagnostics tests. See "Using Online Diagnostics" on page 119.

If you cannot resolve the problem, see "Getting Help" on page 127.

## Troubleshooting a Hard Drive

△ CAUTION: Many repairs may only be done by a certified service technician. You should only perform troubleshooting and simple repairs as authorized in your product documentation, or as directed by the online or telephone service and support team. Damage due to servicing that is not authorized by Bull is not covered by your warranty. Read and follow the safety instructions that came with the product.


△ CAUTION: This troubleshooting procedure can destroy data stored on the hard drive. Before you proceed, back up all files on the hard drive.


- 1 Run the appropriate online diagnostics test. See "Using Online Diagnostics" on page 119.

Depending on the results of the diagnostics test, proceed as needed through the following steps.

- 2 If your system has a RAID controller and your hard drives are configured in a RAID array, perform the following steps:
  - a Restart the system and enter the host adapter configuration utility program by pressing <Ctrl><R> for a PERC controller or <Ctrl><C> for a SAS controller.  
See the documentation supplied with the host adapter for information about the configuration utility.
  - b Ensure that the hard drive(s) have been configured correctly for the RAID array.
  - c Take the hard drive offline and reseal the drive.
  - d Exit the configuration utility and allow the system to boot to the operating system.
- 3 Ensure that the required device drivers for your controller card are installed and are configured correctly. See the operating system documentation for more information.
- 4 Restart the system, enter the System Setup program, and verify that the controller is enabled and the drives appear in the System Setup program. See "Using the System Setup Program and UEFI Boot Manager" on page 33.  
If the problem persists, see "Troubleshooting Expansion Cards" on page 116.

# Troubleshooting Expansion Cards

 **CAUTION:** Many repairs may only be done by a certified service technician. You should only perform troubleshooting and simple repairs as authorized in your product documentation, or as directed by the online or telephone service and support team. Damage due to servicing that is not authorized by Bull is not covered by your warranty. Read and follow the safety instructions that came with the product.


 **NOTE:** When troubleshooting an expansion card, see the documentation for your operating system and the expansion card.

- 1 Run the appropriate online diagnostic test. See "Using Online Diagnostics" on page 119.
- 2 Turn off the system and attached peripherals, and disconnect the system from the electrical outlet.
- 3 Open the system. See "Opening the System" on page 55.
- 4 Ensure that each expansion card is firmly seated in its connector. See "Installing an Expansion Card" on page 76.
- 5 Close the system. See "Closing the System" on page 56.
- 6 If the problem is not resolved, turn off the system and attached peripherals, and disconnect the system from the electrical outlet.
- 7 Open the system. See "Opening the System" on page 55.
- 8 Remove all expansion cards installed in the system. See "Removing an Expansion Card" on page 74.
- 9 Close the system. See "Closing the System" on page 56.
- 10 Run the appropriate online diagnostic test.  
If the tests fail, see "Getting Help" on page 127.
- 11 For each expansion card you removed in step 8, perform the following steps:
  - a Turn off the system and attached peripherals, and disconnect the system from the electrical outlet.
  - b Open the system. See "Opening the System" on page 55.
  - c Reinstall one of the expansion cards.
  - d Close the system. See "Closing the System" on page 56.
  - e Run the appropriate diagnostic test.



If the tests fail, see "Getting Help" on page 127.

## Troubleshooting the Processor

 **CAUTION:** Many repairs may only be done by a certified service technician. You should only perform troubleshooting and simple repairs as authorized in your product documentation, or as directed by the online or telephone service and support team. Damage due to servicing that is not authorized by Bull is not covered by your warranty. Read and follow the safety instructions that came with the product.

- 1 Run the appropriate online diagnostics test. See "Using Online Diagnostics" on page 119.
  - 2 Turn off the system and attached peripherals, and disconnect the system from the electrical outlet.
  - 3 Open the system. See "Opening the System" on page 55.
  - 4 Ensure that the processor and heat sink are properly installed. See "Installing a Processor" on page 86.
  - 5 Close the system. See "Closing the System" on page 56.
  - 6 Run the appropriate online diagnostic test.
- If a problem is still indicated, see "Getting Help" on page 127.



# Running the System Diagnostics

If you experience a problem with your system, run the diagnostics before calling for technical assistance. The purpose of the diagnostics is to test your system's hardware without requiring additional equipment or risking data loss. If you are unable to fix the problem yourself, service and support personnel can use diagnostics test results to help you solve the problem.

## Using Online Diagnostics

To assess a system problem, first use the Online Diagnostics. Online Diagnostics is a suite of diagnostic programs, or test modules, that include diagnostic tests on chassis and storage components such as hard drives, physical memory, communications and printer ports, NICs, CMOS, and more. If you are unable to identify the problem using the online diagnostics, then use the embedded system diagnostics.

The files required to run the online diagnostics for systems running supported Microsoft® Windows® and Linux operating systems are available at **support.bull.com**.

## Embedded System Diagnostics Features

The system diagnostics provides a series of menus and options for particular device groups or devices. The system diagnostics menus and options allow you to:

- Run tests individually or collectively
- Control the sequence of tests
- Repeat tests
- Display, print, or save test results
- Temporarily suspend testing if an error is detected or terminate testing when a user-defined error limit is reached
- View help messages that briefly describe each test and its parameters
- View status messages that inform you if tests are completed successfully


- View error messages that inform you of problems encountered during testing

## When to Use the Embedded System Diagnostics

If a major component or device in the system does not operate properly, component failure may be indicated. As long as the processor and the system's input/output devices are functioning, you can use the embedded system diagnostics to help identify the problem.

## Running the Embedded System Diagnostics

The embedded system diagnostics program is run from the Unified Server Configurator (USC) screen.

 **CAUTION:** Use the embedded system diagnostics to test only your system. Using this program with other systems may cause invalid results or error messages.

- 1 As the system boots, press <F10>.
- 2 Click **Diagnostics** in the left pane and click **Launch Diagnostics** in the right pane.

The **Diagnostics** menu allows you to run all or specific diagnostics tests or to exit.

## System Diagnostics Testing Options

Click the testing option in the **Main Menu** window.

Testing Option	Function
Express Test	Performs a quick check of the system. This option runs device tests that do not require user interaction.
Extended Test	Performs a more thorough check of the system. This test can take an hour or longer.
Custom Test	Tests a particular device.
Information	Displays test results.

# Using the Custom Test Options

When you select **Custom Test** in the **Main Menu** window, the **Customize** window allows you to select the device(s) to be tested, select specific options for testing, and view the test results.

## Selecting Devices for Testing

The left side of the **Customize** window lists devices that can be tested. Click (+) next to a device or module to view its components. Click (+) on any component to view the tests that are available. Clicking a device, rather than its components, selects all of the components of the device for testing.



**NOTE:** After you select all the devices and components that you want to test, highlight **All Devices** and then click **Run Tests**.

## Selecting Diagnostics Options

From the **Diagnostics Options** area, select the test(s) you want to run on a device. You can select:

- **Non-Interactive Tests Only** — Runs only tests that require no user intervention.
- **Quick Tests Only** — Runs only the quick tests on the device.
- **Show Ending Timestamp** — Time stamps the test log.
- **Test Iterations** — Selects the number of times the test is run.
- **Log output file pathname** — Enables you to specify the USB memory key where the test log file is saved. You cannot save the file to a hard drive.

## Viewing Information and Results

The following tabs in the **Customize** window provide information about the test and the test results:





- **Results** — Displays the test that ran and the result.
- **Errors** — Displays any errors that occurred during the test.
- **Help** — Displays information about the currently selected device, component, or test.
- **Configuration** — Displays basic configuration information about the currently selected device.
- **Parameters** — Displays parameters that you can set for the test.

# Jumpers and Connectors

## System Board Jumper

For information on resetting the password jumper to disable a password, see "Disabling a Forgotten Password" on page 126.

Table 6-1. System Board Jumper Settings

Jumper	Setting	Description
PWRD_EN	 (default)	The password feature is enabled (pins 2-4)
		The password feature is disabled (pins 4-6)
NVRAM_CLR	 (default)	The configuration settings are retained at system boot (pins 3-5)
		The configuration settings are cleared at the next system boot (pins 1-3)

# System Board Connectors

Figure 6-1. System Board Jumpers and Connectors

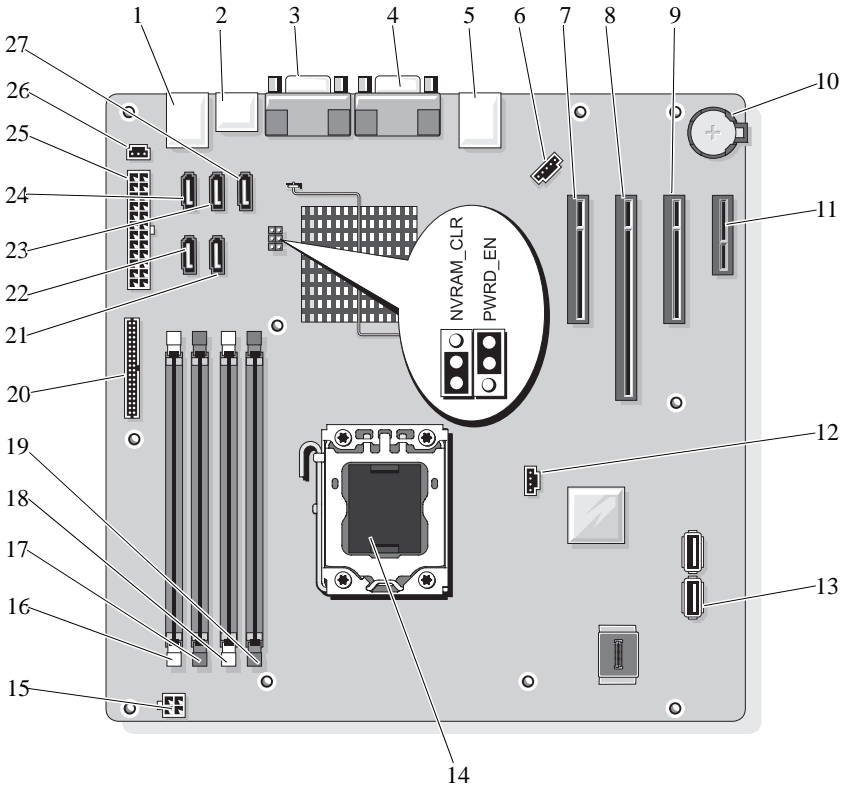


Table 6-2. System Board Jumpers and Connectors

Item	Connector	Description
1	USB	USB connectors (4)
2	SATA_F eSATA	eSATA connector
3	COM	serial connector
4	VGA	video connector




Table 6-2. System Board Jumpers and Connectors

Item	Connector	Description
5	NIC	NIC connector
6	FAN	System fan connector
7	SLOT1 PCIE_G2_X8	PCIe x8 half length
8	SLOT2 PCIE_G2_X8	PCIe x8 full length
9	SLOT3 PCIE_G2_X4	PCIe x4 half length
10	BATTERY	Battery socket
11	SLOT4 PCIE_G2_X1	PCIe x1 half length
12	HD_ACT_CARD	Auxiliary hard drive LED
13	INT_USB1 and INT_USB2	Internal USB key 1 and 2
14	CPU	Processor
15	POWER12V	Power connector 12V
16	DIMM_B1	DIMM_B1 memory module
17	DIMM_B2	DIMM_B2 memory module
18	DIMM_A1	DIMM_A1 memory module
19	DIMM_A2	DIMM_A2 memory module
20	CTRL_PNL	Control panel connector
21	SATA_B	SATA drive
22	SATA_A	SATA drive
23	SATA_C	SATA drive
24	SATA_D	SATA drive/optical drive
25	PWR_CONN	Power connector
26	INTRUSION	Intrusion switch connector
27	SATA_E ODD	SATA optical drive

# Disabling a Forgotten Password

The system's software security features include a system password and a setup password, which are discussed in detail in "Using the System Setup Program and UEFI Boot Manager" on page 33. The password jumper enables these password features or disables them and clears any password(s) currently in use.


 **CAUTION:** See "Protecting Against Electrostatic Discharge" in the safety instructions that came with the system.

- 1 Turn off the system, including any attached peripherals, and disconnect the system from the electrical outlet.
- 2 Open the system. See "Opening and Closing the System" on page 55.
- 3 Remove the jumper plug from the password jumper.

See Figure 6-1 to locate the password jumper (labeled "PWRD\_EN") on the system board.

- 4 Close the system. See "Closing the System" on page 56.
- 5 Place the system upright on a flat, stable surface.
- 6 Reattach any peripherals and connect the system to an electrical outlet.
- 7 Turn on the system and attached peripherals.

The existing passwords are not disabled (erased) until the system boots with the password jumper plug removed. However, before you assign a new system and/or setup password, you must install the jumper plug.


 **NOTE:** If you assign a new system and/or setup password with the jumper plug still removed, the system disables the new password(s) the next time it boots.

- 8 Turn off the system, including any attached peripherals, and disconnect the system from the electrical outlet.
- 9 Open the system. See "Opening and Closing the System" on page 55.
- 10 Install the jumper plug on the password jumper.
- 11 Close the system. See "Closing the System" on page 56.
- 12 Assign a new system and/or setup password.

To assign a new password using the System Setup program, see "Assigning a System Password" on page 48.

# Getting Help

## Contacting Bull

 NOTE: If you do not have an active Internet connection, you can find contact information on your purchase invoice, packing slip, bill, or Bull product catalog.

Bull provides several online and telephone-based support and service options. Availability varies by country and product, and some services may not be available in your area.

Please contact your Bull Sales Representative for sales information.

Visit [www.bull.com](http://www.bull.com) for product information or [support.bull.com](http://support.bull.com) for technical support or customer service issues.



# Glossary

**A** — Ampere(s).

**AC** — Alternating current.

**ACPI** — Advanced Configuration and Power Interface. A standard interface for enabling the operating system to direct configuration and power management.

**ambient temperature** — The temperature of the area or room where the system is located.

**ANSI** — American National Standards Institute. The primary organization for developing technology standards in the U.S.

**asset tag** — An individual code assigned to a system, usually by an administrator, for security or tracking purposes.

**backup** — A copy of a program or data file. As a precaution, back up your system's hard drive(s) on a regular basis.

**blade** — A module that contains a processor, memory, and a hard drive. The modules are mounted into a chassis that includes power supplies and fans.

**BMC** — Baseboard management controller.

**bootable media** — A CD or USB memory key that is used to start your system if the system does not boot from the hard drive.

**BTU** — British thermal unit.

**bus** — An information pathway between the components of a system. Your system contains an expansion bus that allows the processor to communicate with controllers for the peripheral devices connected to the system. Your system also contains an address bus and a data bus for communications between the processor and RAM.

**C** — Celsius.

**cache** — A fast storage area that keeps a copy of data or instructions for quick data retrieval.

**cm** — Centimeter(s).

**COMn** — The device names for the serial ports on your system.

**control panel** — The part of the system that contains indicators and controls, such as the power button and power indicator.

**controller** — A chip or expansion card that controls the transfer of data between the processor and memory or between the processor and a peripheral device.

**coprocessor** — A chip that relieves the system's processor of specific processing tasks. A math coprocessor, for example, handles numeric processing.

**CPU** — Central processing unit. See *processor*.

**DC** — Direct current.

**DDR** — Double-data rate. A technology in memory modules that potentially doubles the data rate by transferring data on both the rising and falling pulses of a clock cycle.

**device driver** — A program that allows the operating system or some other program to interface correctly with a peripheral.

**DHCP** — Dynamic Host Configuration Protocol. A method of automatically assigning an IP address to a client system.

**diagnostics** — A comprehensive set of tests for your system.

**DIMM** — Dual in-line memory module. See also *memory module*.

**DNS** — Domain Name System. A method of translating Internet domain names, such as **www.example.com**, into IP addresses, such as 208.77.188.166.

**DRAM** — Dynamic random-access memory. A system's RAM is usually made up entirely of DRAM chips.

**driver** — See *device driver*.

**DVD** — Digital versatile disc or digital video disc.

**ECC** — Error checking and correction.

**EMI** — Electromagnetic interference.

**ERA** — Embedded remote access. ERA allows you to perform remote, or "out-of-band," server management on your network server using a remote access controller.

**ESD** — Electrostatic discharge.

**ESM** — Embedded server management.

**expansion bus** — Your system contains an expansion bus that allows the processor to communicate with controllers for peripherals, such as NICs.

**expansion card** — An add-in card, such as a NIC or SCSI adapter, that plugs into an expansion-card connector on the system board. An expansion card adds some specialized function to the system by providing an interface between the expansion bus and a peripheral.

**expansion-card connector** — A connector on the system board or riser board for plugging in an expansion card.

**F** — Fahrenheit.

**FAT** — File allocation table. The file system structure used by MS-DOS® to organize and keep track of file storage. The Microsoft® Windows® operating systems can optionally use a FAT file system structure.

**Fibre Channel** — A high-speed network interface used primarily with networked

storage devices.

**flash memory** — A type of electronic chip that can be programmed and reprogrammed using a software utility.

**FSB** — Front-side bus. The FSB is the data path and physical interface between the processor and the main memory (RAM).

**FTP** — File transfer protocol.

**g** — Gram(s).

**G** — Gravities.

**Gb** — Gigabit(s); 1024 megabits or 1,073,741,824 bits.

**GB** — Gigabyte(s); 1024 megabytes or 1,073,741,824 bytes. However, when referring to hard-drive capacity, the term is usually rounded to 1,000,000,000 bytes.

**graphics mode** — A video mode that can be defined as  $x$  horizontal by  $y$  vertical pixels by  $z$  colors.

**host adapter** — A controller that implements communication between the system's bus and the peripheral device, typically a storage device.

**hot-swap** — The ability to insert or install a device, typically a hard drive or an internal cooling fan, into the host system while the system is powered on and running.

**Hz** — Hertz.

**I/O** — Input/output. A keyboard is an input device, and a monitor is an output device. In general, I/O activity can be differentiated from computational activity.

**IDE** — Integrated drive electronics. A standard interface between the system board and storage devices.

**IP** — Internet Protocol.

**IPv6** — Internet Protocol version 6.

**IPX** — Internet package exchange.

**IRQ** — Interrupt request. A signal that data is about to be sent to or received by a peripheral device travels by an IRQ line to the processor. Each peripheral connection must be assigned an IRQ number. Two devices can share the same IRQ assignment, but you cannot operate both devices simultaneously.

**iSCSI** — Internet SCSI (see *SCSI*). A protocol that enables SCSI device communication across a network or the Internet.

**jumper** — Small blocks on a circuit board with two or more pins emerging from them. Plastic plugs containing a wire fit down over the pins. The wire connects the pins and creates a circuit, providing a simple and reversible method of changing the circuitry in a board.

**K** — Kilo-; 1000.

**Kb** — Kilobit(s); 1024 bits.

**KB** — Kilobyte(s); 1024 bytes.

**Kbps** — Kilobit(s) per second.

**KBps** — Kilobyte(s) per second.

**kg** — Kilogram(s); 1000 grams.

**kHz** — Kilohertz.

**KVM** — Keyboard/video/mouse. KVM refers to a switch that allows selection of the system from which the video is displayed and for which the keyboard and mouse are used.

**LAN** — Local area network. A LAN is usually confined to the same building or a few nearby buildings, with all equipment linked by wiring dedicated specifically to the LAN.

**LCD** — Liquid crystal display.

**LED** — Light-emitting diode. An electronic device that lights up when a current is passed through it.

**LGA** — Land grid array.

**local bus** — On a system with local-bus expansion capability, certain peripheral devices (such as the video adapter circuitry) can be designed to run much faster than they would with a traditional expansion bus. See also *bus*.

**LOM** — LAN on motherboard.

**LVD** — Low voltage differential.

**m** — Meter(s).

**mA** — Milliampere(s).

**MAC address** — Media Access Control address. Your system's unique hardware number on a network.

**mAh** — Milliampere-hour(s).

**Mb** — Megabit(s); 1,048,576 bits.

**MB** — Megabyte(s); 1,048,576 bytes. However, when referring to hard-drive capacity, the term is often rounded to mean 1,000,000 bytes.

**Mbps** — Megabits per second.

**MBps** — Megabytes per second.

**MBR** — Master boot record.

**memory address** — A specific location, usually expressed as a hexadecimal number, in



the system's RAM.

**memory module** — A small circuit board containing DRAM chips that connects to the system board.

**memory** — An area in your system that stores basic system data. A system can contain several different forms of memory, such as integrated memory (ROM and RAM) and add-in memory modules (DIMMs).

**memory key** — A portable flash memory storage device integrated with a USB connector.

**MHz** — Megahertz.

**mirroring** — A type of data redundancy in which a set of physical drives stores data and one or more sets of additional drives stores duplicate copies of the data. Mirroring functionality is provided by software. See also *striping* and *RAID*.

**mm** — Millimeter(s).

**ms** — Millisecond(s).

**NAS** — Network Attached Storage. NAS is one of the concepts used for implementing shared storage on a network. NAS systems have their own operating systems, integrated hardware, and software that are optimized to serve specific storage needs.

**NIC** — Network interface controller. A device that is installed or integrated in a system to allow connection to a network.

**NMI** — Nonmaskable interrupt. A device sends an NMI to signal the processor about hardware errors.

**ns** — Nanosecond(s).

**NVRAM** — Nonvolatile random-access memory. Memory that does not lose its contents when you turn off your system. NVRAM is used for maintaining the date, time, and system configuration information.

**parity** — Redundant information that is associated with a block of data.

**parity stripe** — In RAID arrays, a striped hard drive containing parity data.

**partition** — You can divide a hard drive into multiple physical sections called *partitions* with the **fdisk** command. Each partition can contain multiple logical drives. You must format each logical drive with the **format** command.

**PCI** — Peripheral Component Interconnect. A standard for local-bus implementation.

**PDU** — Power distribution unit. A power source with multiple power outlets that provides electrical power to servers and storage systems in a rack.

**peripheral** — An internal or external device, such as a keyboard, connected to a system.

**pixel** — A single point on a video display. Pixels are arranged in rows and columns to

create an image. A video resolution, such as 640 x 480, is expressed as the number of pixels across by the number of pixels up and down.

**POST** — Power-on self-test. Before the operating system loads when you turn on your system, the POST tests various system components such as RAM and hard drives.

**processor** — The primary computational chip inside the system that controls the interpretation and execution of arithmetic and logic functions. Software written for one processor must usually be revised to run on another processor. *CPU* is a synonym for processor.

**PXE** — Preboot eXecution Environment. A way of booting a system via a LAN (without a hard drive).

**RAC** — Remote access controller.

**RAID** — Redundant array of independent disks. A method of providing data redundancy. Some common implementations of RAID include RAID 0, RAID 1, RAID 5, RAID 10, and RAID 50. See also *mirroring* and *striping*.

**RAM** — Random-access memory. The system's primary temporary storage area for program instructions and data. Any information stored in RAM is lost when you turn off your system.

**R-DIMM** — A registered DDR3 memory module.

**readme file** — A text file, usually shipped with software or hardware, that contains information supplementing or updating the product's documentation.

**read-only file** — A read-only file is one that you are prohibited from editing or deleting.

**ROM** — Read-only memory. Your system contains some programs essential to its operation in ROM code. A ROM chip retains its contents even after you turn off your system. Examples of code in ROM include the program that initiates your system's boot routine and the POST.

**ROMB** — RAID on motherboard.

**SAN** — Storage Area Network. A network architecture that enables remote network-attached storage devices to appear to a server to be locally attached.

**SAS** — Serial-attached SCSI.

**SATA** — Serial Advanced Technology Attachment. A standard interface between the system board and storage devices.

**SCSI** — Small computer system interface. An I/O bus interface with faster data transmission rates than standard ports.

**SDRAM** — Synchronous dynamic random-access memory.

**sec** — Second(s).

**serial port** — A legacy I/O port with a 9-pin connector that transfers data one bit at a

time and is most often used to connect a modem to the system.

**service tag** — A bar code label on the system used to identify it when you call Bull for technical support.

**SMART** — Self-Monitoring Analysis and Reporting Technology. Allows hard drives to report errors and failures to the system BIOS and then display an error message on the screen.

**SMP** — Symmetric multiprocessing. Used to describe a system that has two or more processors connected via a high-bandwidth link and managed by an operating system, where each processor has equal access to I/O devices.

**SNMP** — Simple Network Management Protocol. A standard interface that allows a network manager to remotely monitor and manage workstations.

**striping** — Disk striping writes data across three or more disks in an array, but only uses a portion of the space on each disk. The amount of space used by a "stripe" is the same on each disk used. A virtual disk may use several stripes on the same set of disks in an array. See also *guarding*, *mirroring*, and *RAID*.

**SVGA** — Super video graphics array. VGA and SVGA are video standards for video adapters with greater resolution and color display capabilities than previous standards.

**system board** — As the main circuit board, the system board usually contains most of your system's integral components, such as the processor(s), RAM, controllers for peripherals, and various ROM chips.

**system configuration information** — Data stored in memory that tells a system what hardware is installed and how the system should be configured for operation.

**system memory** — See *RAM*.

**System Setup program** — A BIOS-based program that allows you to configure your system's hardware and customize the system's operation by setting features such as password protection. Because the System Setup program is stored in NVRAM, any settings remain in effect until you change them again.

**TCP/IP** — Transmission Control Protocol/Internet Protocol.

**termination** — Some devices (such as the last device at each end of a SCSI cable) must be terminated to prevent reflections and spurious signals in the cable. When such devices are connected in a series, you may need to enable or disable the termination on these devices by changing jumper or switch settings on the devices or by changing settings in the configuration software for the devices.

**TOE** — TCP/IP offload engine.

**U-DIMM** — An unregistered (unbuffered) DDR3 memory module.

**uplink port** — A port on a network hub or switch used to connect to other hubs or switches without requiring a crossover cable.

**UPS** — Uninterruptible power supply. A battery-powered unit that automatically supplies power to your system in the event of an electrical failure.

**USB** — Universal Serial Bus. A USB connector provides a single connection point for multiple USB-compliant devices, such as mice and keyboards. USB devices can be connected and disconnected while the system is running.

**USB memory key** — See *memory key*.

**utility** — A program used to manage system resources—memory, disk drives, or printers, for example.

**V** — Volt(s).

**VAC** — Volt(s) alternating current.

**VDC** — Volt(s) direct current.

**VGA** — Video graphics array. VGA and SVGA are video standards for video adapters with greater resolution and color display capabilities than previous standards.

**video adapter** — The logical circuitry that provides (in combination with the monitor) your system's video capabilities. A video adapter may be integrated into the system board or may be an expansion card that plugs into an expansion slot.

**video memory** — Most VGA and SVGA video adapters include memory chips in addition to your system's RAM. The amount of video memory installed primarily influences the number of colors that a program can display (with the appropriate video drivers and monitor capabilities).

**video resolution** — Video resolution (800 x 600, for example) is expressed as the number of pixels across by the number of pixels up and down. To display a program at a specific graphics resolution, you must install the appropriate video drivers and your monitor must support the resolution.

**virtualization** — The ability via software to share the resources of a single computer across multiple environments. A single physical system may appear to the user as multiple virtual systems able to host multiple operating systems.

**W** — Watt(s).

**WH** — Watt-hour(s).

**XML** — Extensible Markup Language. XML is a way to create common information formats and to share both the format and the data on the World Wide Web, intranets, and elsewhere.

**ZIF** — Zero insertion force.

# Index

## Numerics

- 5.25-inch drive
  - installing, 64

## B

- battery
  - installing, 89
  - troubleshooting, 108
- battery (system)
  - replacing, 89

## BMC

- configuring, 52

## Bull

- contacting, 127

## C

- cable clip, 92
- CD drive
  - troubleshooting, 113
- CD/DVD drive
  - installing, 64
  - removing, 61
- chassis intrusion switch
  - installing, 95
  - removing, 94
  - replacing, 95

- closing the system, 56

## connectors

- USB, 10, 12
- video, 10, 12

- contacting Bull, 127

## cooling fan

- installing, 88
- removing, 87
- replacing, 88
- troubleshooting, 110

## D

- damaged systems
  - troubleshooting, 107

## diagnostics

- advanced testing options, 121
- testing options, 120
- using Online Diagnostics, 119
- when to use, 120

## DIMM

- sockets, 78

- DVD drive. *See* CD/DVD drive.

## E

- error messages, 34
- expansion cards, 73

- installing, 76
- removing, 74
- replacing, 76
- troubleshooting, 116

## F

- front bezel
  - insert, 58
  - removing, 57
  - replacing, 58

- front panel
  - features, 10

- front-panel features, 10

## G

- guidelines
  - connecting external devices, 13
  - memory installation, 78

## H

- hard drive
  - installing, 68
  - removing, 66
  - troubleshooting, 115

## I

- I/O panel
  - installing, 98
  - removing, 96

- replacing, 98

- indicators
  - front-panel, 10
  - NIC, 14
  - power, 10, 15

- insert on front bezel
  - removing, 58
  - replacing, 59

- installing
  - 5.25-inch drive, 64
  - CD/DVD drive, 64
  - chassis intrusion switch, 95
  - cooling fan, 88
  - expansion cards, 76
  - hard drive, 68
  - I/O panel, 98
  - memory modules, 81
  - power supply, 92
  - processor, 86
  - system battery, 89
  - system board, 100
  - tape drive, 64

## K

- keyboards
  - troubleshooting, 104

## M

- memory
  - branches, 78
  - channels, 78
  - troubleshooting, 111

- memory key connector (USB), 93
- memory modules (DIMMs)
  - configuring, 78
  - installing, 81
  - removing, 80
- messages
  - error messages, 34
  - system, 18
  - warning, 31
- N**
- NIC
  - indicators, 14
- NICs
  - troubleshooting, 105
- O**
- Online Diagnostics
  - using, 119
- opening the system, 55
- options
  - system setup, 35
- P**
- password
  - disabling, 126
  - setup, 50
  - system, 47
- POST
  - accessing system features, 9
  - power indicators, 10, 15
  - power supplies
    - indicators, 15
    - troubleshooting, 109
  - power supply
    - installing, 92
    - removing, 91
    - replacing, 92
  - processor
    - installing, 86
    - removing, 83
    - troubleshooting, 117
- R**
- recommended tools, 53
- removing
  - CD/DVD drive, 61
  - chassis intrusion switch, 94
  - cooling fan, 87
  - expansion cards, 74
  - front bezel, 57
  - hard drive, 66
  - I/O panel, 96
  - memory modules, 80
  - power supply, 91
  - processor, 83
  - system board, 99
  - tape drive, 61
- replacing
  - chassis intrusion switch, 95
  - cooling fan, 88

- expansion cards, 76
- front bezel, 58
- I/O panel, 98
- power supply, 92
- system battery, 89
- system board, 100

## S

- safety, 103
- SAS controller card
  - installing, 77
- SAS hard drive. *See* hard drive.
- SATA hard drive. *See* hard drive.
- securing your system, 43, 49
- setup password, 50
- startup
  - accessing system features, 9
- support
  - contacting Bull, 127
- system
  - closing, 56
  - opening, 55
- system board
  - installing, 100
  - removing, 99
  - replacing, 100
- system cooling
  - troubleshooting, 109
- system features
  - accessing, 9

- system messages, 18
- system password, 47
- system setup
  - options, 35
- system setup program
  - boot settings, 39
  - entering, 34
  - integrated devices options, 40
  - keystroke, 34
  - memory settings, 37
  - PCI IRQ assignments, 41
  - power management options, 42
  - processor settings, 37
  - SATA settings, 38
  - serial communications options, 41
  - system security options, 43
- system startup failure, 103

## T

- tape drive
  - installing, 64
  - removing, 61
- TPM security, 43
- troubleshooting
  - battery, 108
  - CD drive, 113
  - cooling fan, 110
  - damaged system, 107
  - expansion cards, 116
  - external connections, 103
  - hard drive, 115
  - internal USB key, 112



- keyboard, 104
- memory, 111
- NIC, 105
- power supplies, 109
- processor, 117
- system cooling, 109
- system startup failure, 103
- video, 103
- wet system, 106

- warranty, 31
- wet system
  - troubleshooting, 106

## U

- UEFI Boot Manager
  - entering, 45
  - main screen, 46
  - system utilities screen, 47
  - UEFI Boot Settings screen, 46

## USB

- front-panel connectors, 10
- internal connector for memory key, 93

## USB key

- troubleshooting, 112

## V

### video

- front-panel connectors, 10
- troubleshooting, 103

## W

- warning messages, 31





BULL CEDOC  
357 AVENUE PATTON  
B.P.20845  
49008 ANGERS CEDEX 01  
FRANCE

REFERENCE  
86 A1 77FD 00