

Customer Service Guide

The following copyright notice protects this book under Copyright laws which prohibit such actions as, but not limited to, copying, distributing, modifying, and making derivative works.

Copyright ©Bull SAS 2022

Printed in France

Trademarks and Acknowledgements

We acknowledge the right of proprietors of trademarks mentioned in this manual.

All brand names and software and hardware product names are subject to trademark and/or patent protection.

Quoting of brand and product names is for information purposes only and does not represent trademark and/or patent misuse.

Hardware

July 2022

**Bull Cedoc
357 avenue Patton
BP 20845
49008 Angers Cedex 01
FRANCE**

The information in this document is subject to change without notice. Bull will not be liable for errors contained herein, or for incidental or consequential damages in connection with the use of this material.

Table of Contents

Preface	p-1
Intended Readers	p-1
Chapter 1. Servicing a network antenna	1-1
1.1. Removing a network antenna	1-2
1.2. Installing a network antenna	1-3
Chapter 2. Servicing a fan	2-1
2.1. Removing a fan	2-2
2.2. Installing a fan	2-7
Chapter 3. Servicing the processor air duct	3-1
3.1. Removing the processor air duct	3-2
3.2. Installing the processor air duct	3-6
Chapter 4. Servicing a memory module	4-1
4.1. Removing a memory module	4-2
4.2. Installing a memory module	4-7
Chapter 5. Servicing an accelerator	5-1
5.1. Removing an accelerator	5-2
5.2. Installing an accelerator	5-7
Chapter 6. Servicing a 2.5" disk	6-1
6.1. Removing a 2.5" disk	6-2
6.2. Installing a 2.5" disk	6-7
Chapter 7. Servicing a 3.5" disk	7-1
7.1. Removing a 3.5" disk	7-2
7.2. Installing a 3.5" disk	7-7
Chapter 8. Servicing an intrusion detection switch	8-1
8.1. Removing an intrusion detection switch	8-2
8.2. Installing an intrusion detection switch	8-8
Chapter 9. Firmware maintenance tasks	9-1
9.1. Recovering the BMC	9-1
9.2. Resetting the BMC to the default factory settings	9-3
9.2.1. Resetting with the command line	9-4
9.2.2. Resetting with the recovery (REC) button	9-5
9.3. Restarting the BMC HTTPS server	9-6

9.4.	Rebooting the BMC	9-7
9.4.1.	Rebooting with the Server Hardware Console (SHC)	9-7
9.4.2.	Restarting with the Machine Intelligence System Management (MISM) console	9-8
Appendix A. Servicing the top aesthetic cover		A-1
A.1.	Removing the top aesthetic cover	A-1
A.2.	Installing the top aesthetic cover	A-3
Appendix B. Servicing fan filters		B-1
B.1.	Fan filter description	B-2
B.2.	Removing a fan filter	B-3
B.3.	Installing a fan filter	B-6

Preface

This guide explains how to replace the Customer Replaceable Units (CRU).

See The Bull support web site for the most up-to-date product information, documentation, firmware updates, software fixes and service offers:
<http://support.bull.com>

Important **ATTENTION: Please read carefully the safety instructions before you perform the procedures described in this manual.**

Multilingual Safety Notices Guide

Intended Readers

This guide is intended for use by administrators and operators.

Chapter 1. Servicing a network antenna

Important ATTENTION: Please read carefully the safety instructions before you perform the procedures described in this manual.

Multilingual Safety Notices Guide

C004  **CAUTION**

C004:

Static electricity can damage the server and other electronic devices. To avoid damage, keep static-sensitive devices in their static-protective packages until you are ready to install them.

To reduce the possibility of damage from electrostatic discharge, observe the following precautions:

Limit your movement. Movement can cause static electricity to build up around you.

Wear an electrostatic-discharge wrist strap.

Handle the device carefully, holding it by its edges or its frame.

Do not touch solder joints, pins, or exposed circuitry.

Do not leave the device where others can handle and damage it.

While the device is still in its static-protective package, touch it to an unpainted metal surface on the outside of the server for at least 2 seconds. This drains static electricity from the package and from your body.

Remove the device from its package and install it directly into the server without setting down the device. If it is necessary to set down the device, put it back into its static-protective package. Do not place the device on the server cover or on a metal surface.

Take additional care when you handle devices during cold weather.

Heating reduces indoor humidity and increases static electricity.

See BullSequana Edge Description Guide, 86 A1 65FR to locate the antenna.

1.1. Removing a network antenna

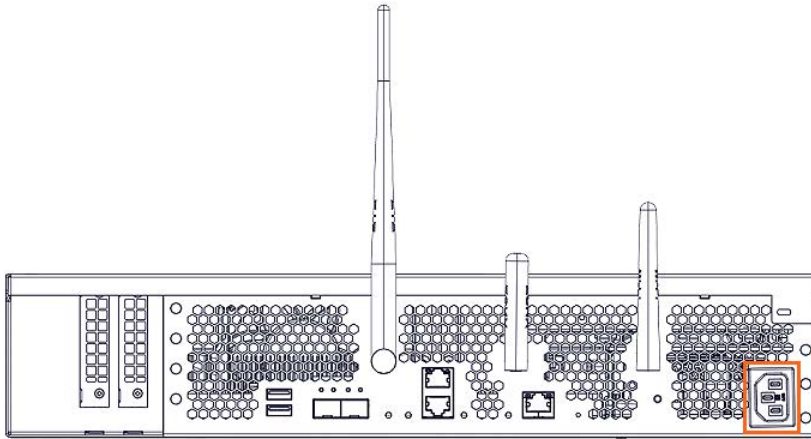
Required Tools

None

Procedure

1. **Unpack the new component on a clean ESD-protected work surface**
2. **Power off the server**
3. **Disconnect the power supply cable**

 **Rear view**

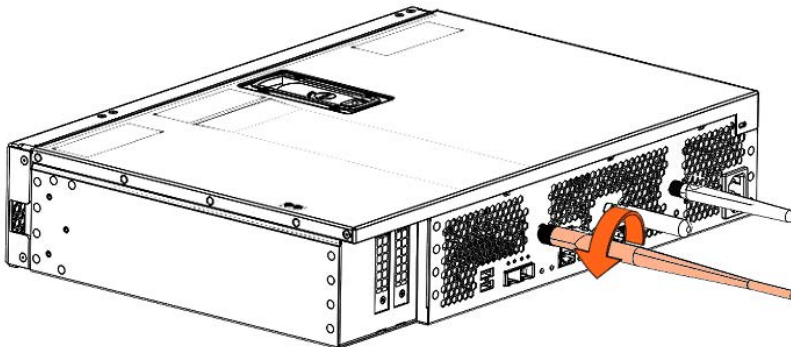


4. **Remove the aesthetic top cover if the aesthetic covers are present**

See [Appendix A Servicing the top aesthetic cover](#)

5. **Remove the external antenna**

 **Rear view**



1.2. Installing a network antenna

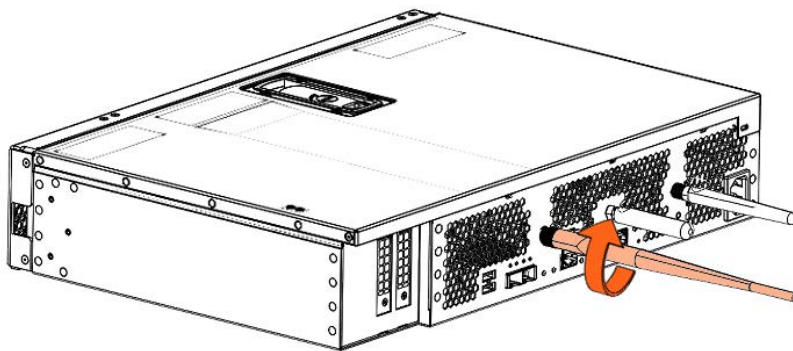
Required Tools

None

Procedure

1. Take hold of the new component
2. Install the external antenna

 Rear view

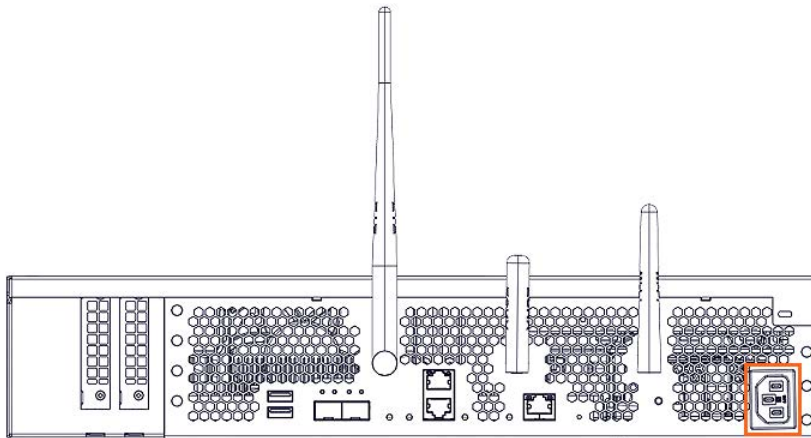


3. Install the aesthetic top cover if the aesthetic covers are present

See [Appendix A Servicing the top aesthetic cover](#)

4. Connect the power supply cable

 Rear view



5. Power on the server

Chapter 2. Servicing a fan

Important ATTENTION: Please read carefully the safety instructions before you perform the procedures described in this manual.

Multilingual Safety Notices Guide

C004  **CAUTION**

C004:

Static electricity can damage the server and other electronic devices. To avoid damage, keep static-sensitive devices in their static-protective packages until you are ready to install them.

To reduce the possibility of damage from electrostatic discharge, observe the following precautions:

Limit your movement. Movement can cause static electricity to build up around you.

Wear an electrostatic-discharge wrist strap.

Handle the device carefully, holding it by its edges or its frame.

Do not touch solder joints, pins, or exposed circuitry.

Do not leave the device where others can handle and damage it.

While the device is still in its static-protective package, touch it to an unpainted metal surface on the outside of the server for at least 2 seconds. This drains static electricity from the package and from your body.

Remove the device from its package and install it directly into the server without setting down the device. If it is necessary to set down the device, put it back into its static-protective package. Do not place the device on the server cover or on a metal surface.

Take additional care when you handle devices during cold weather.

Heating reduces indoor humidity and increases static electricity.

See BullSequana Edge Description Guide, 86 A1 65FR to locate the fan.

2.1. Removing a fan

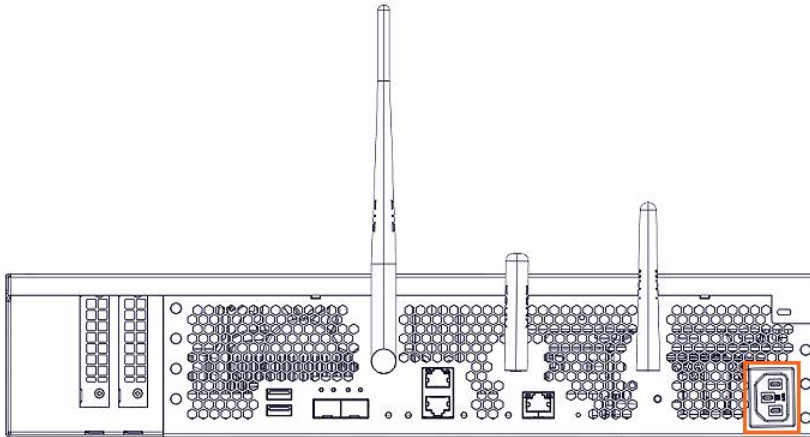
Required Tools

None

Procedure

1. **Unpack the new component on a clean ESD-protected work surface**
2. **Power off the server**
3. **Disconnect the power supply cable**

 **Rear view**



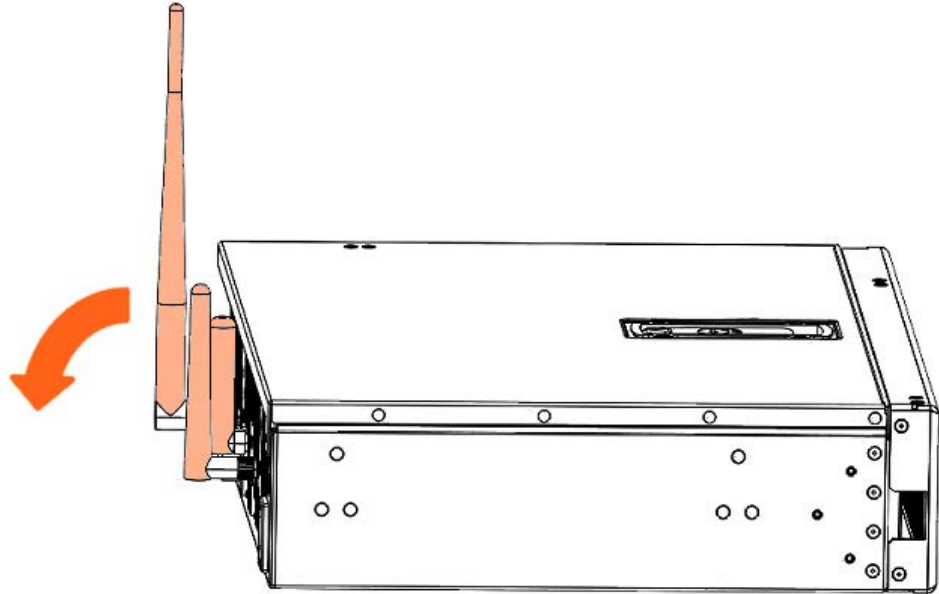
4. **Remove the top aesthetic cover if aesthetic covers are present**

See [Appendix A Servicing the top aesthetic cover](#)

5. Remove the cover

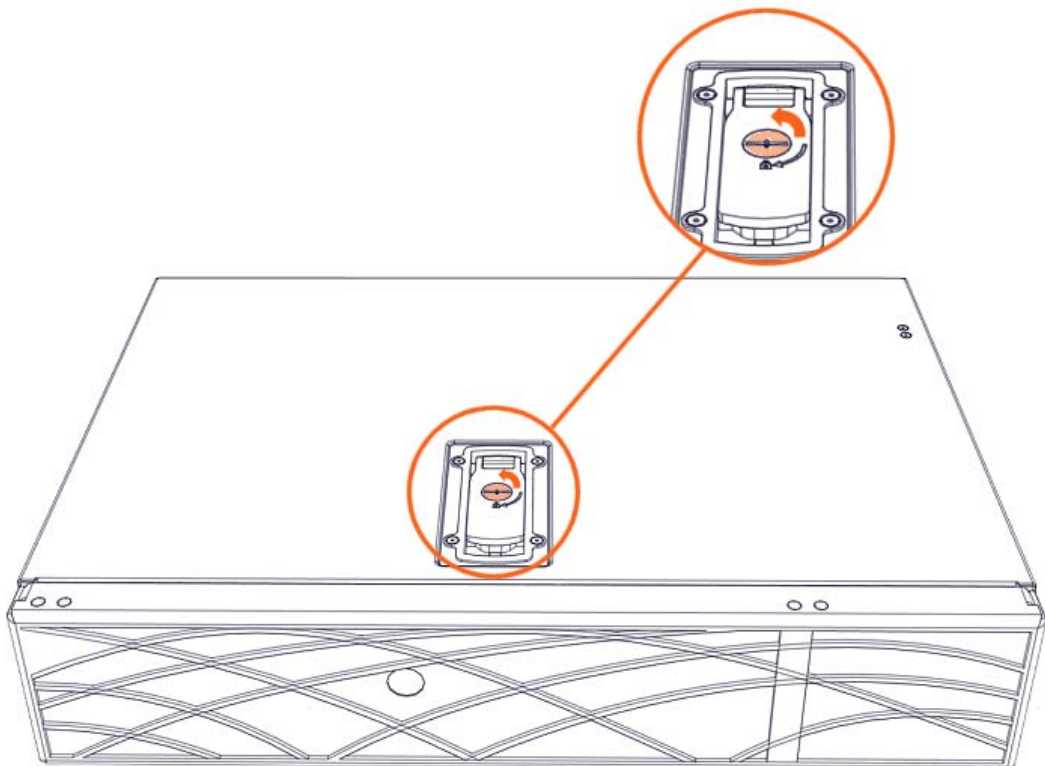
1. Rotate the external antennas to the horizontal position.

 **Side view**



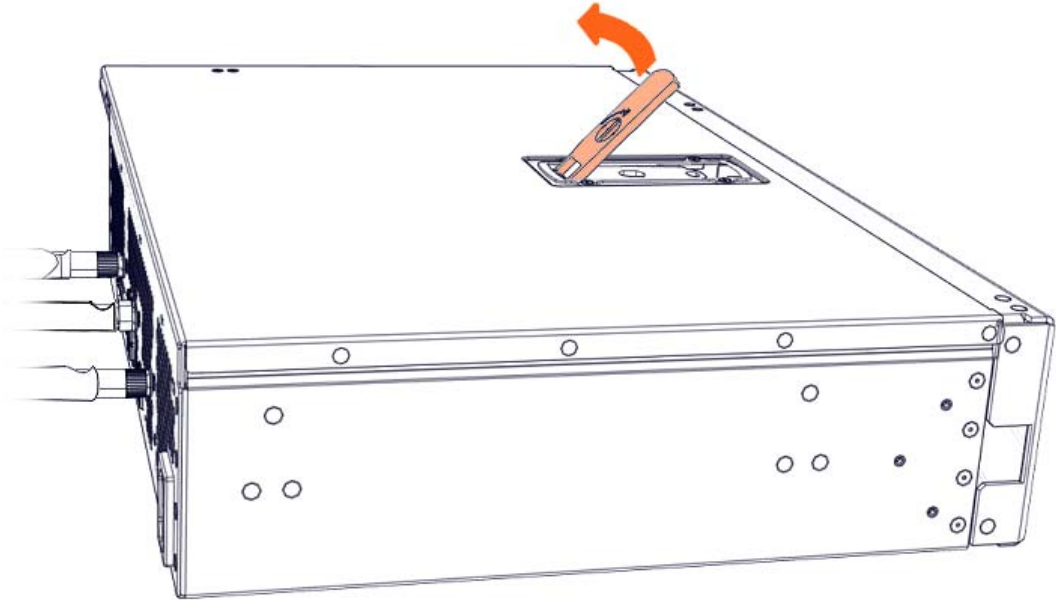
2. Unlock the cover latch.

 **Front view**



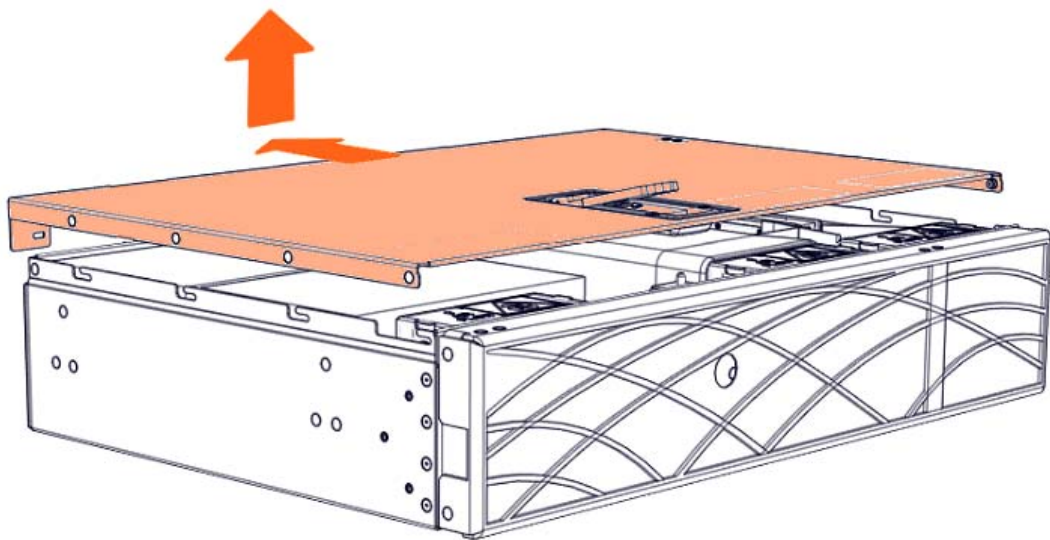
3. Pull the latch up.

 **Side view**



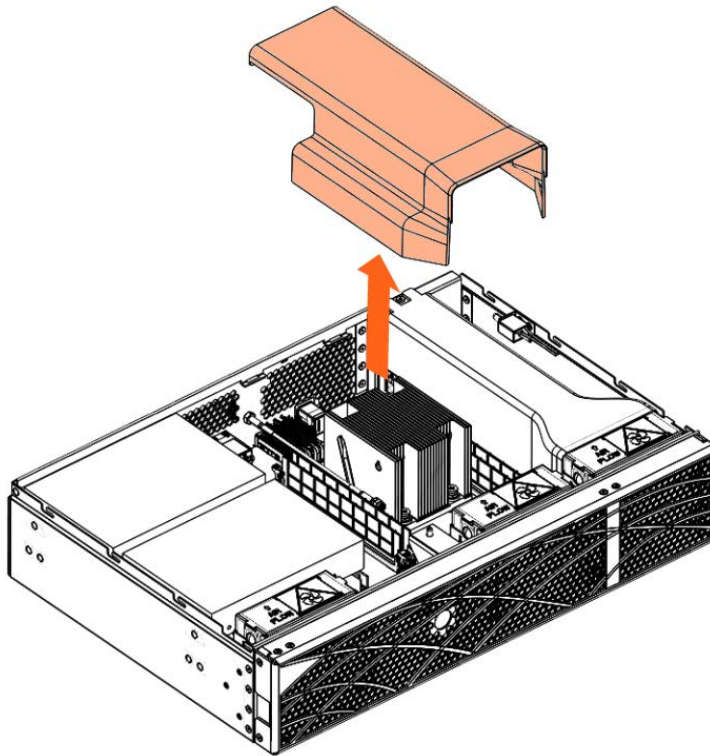
4. Remove the cover.

 **Front view**



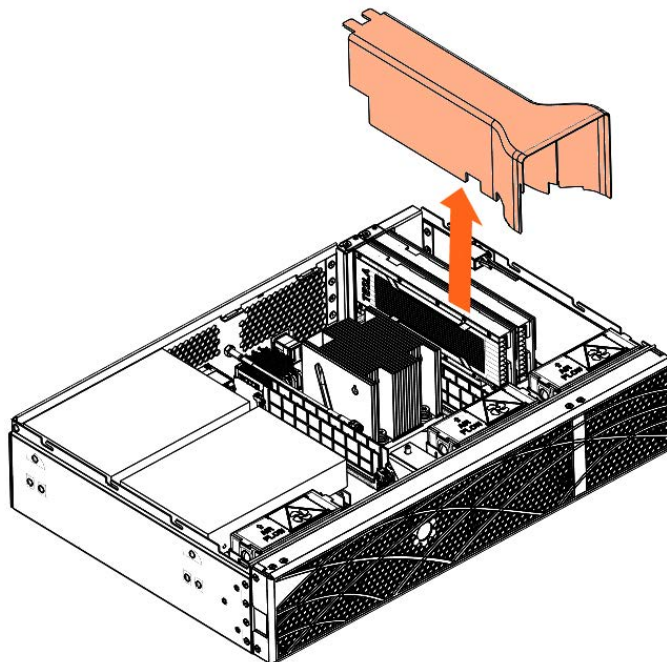
6. Remove the processor air duct

 **Front view**



7. Remove the accelerator air duct if present

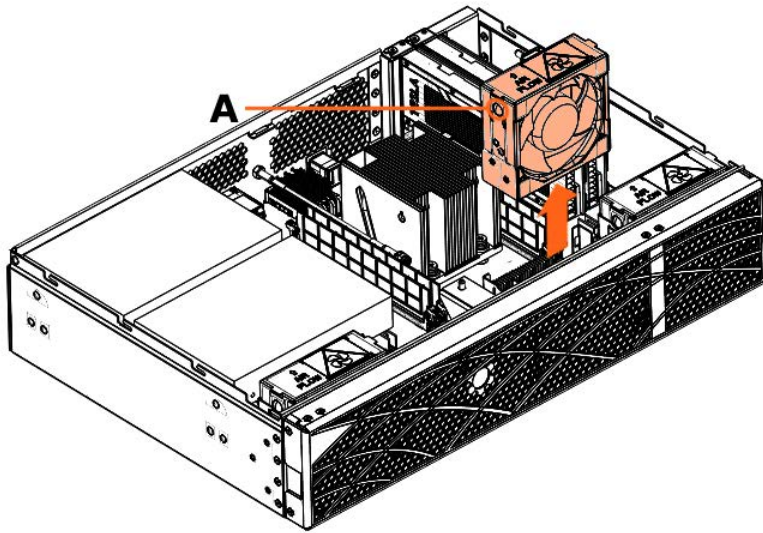
 **Front view**



8. Remove the fan

1. Disconnect the fan cable.
2. Press the fan latch (A) in.
3. Pull the fan up.

 **Front view**



2.2. Installing a fan

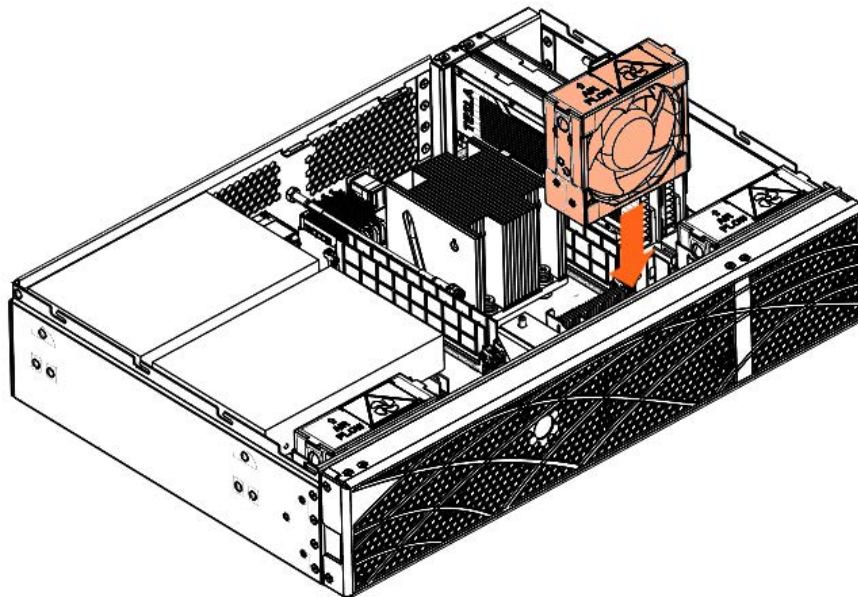
Required Tools

None

Procedure

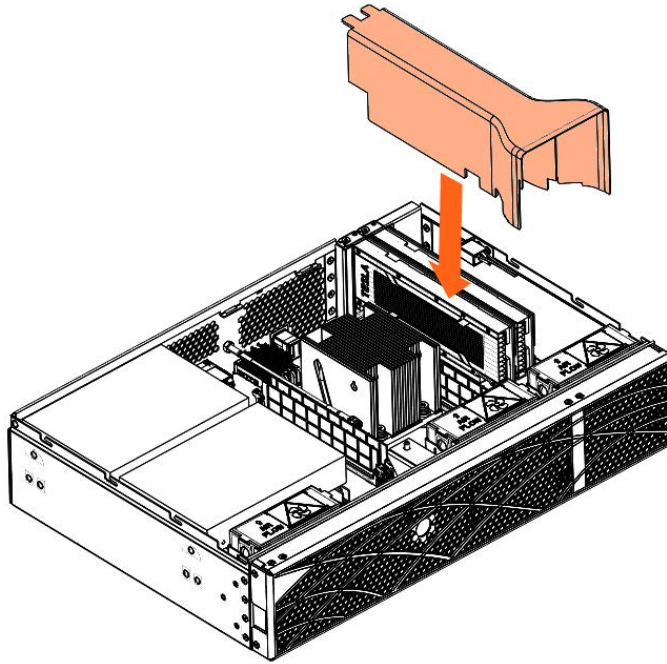
1. Take hold of the new component
2. Install the fan
 1. Put the fan into place.
 2. Connect the fan cable.

 Front view



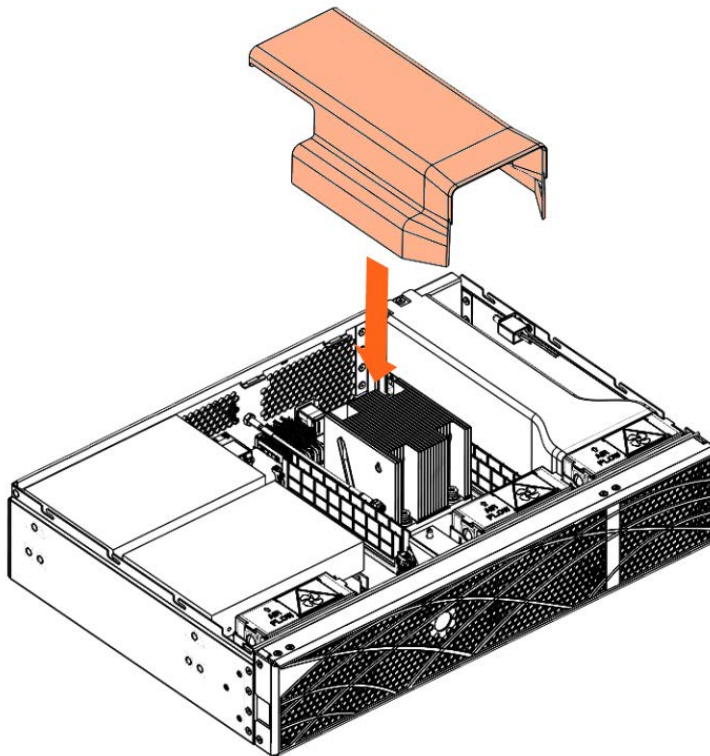
3. Install the accelerator air duct if present

 **Front view**



4. Install the processor air duct

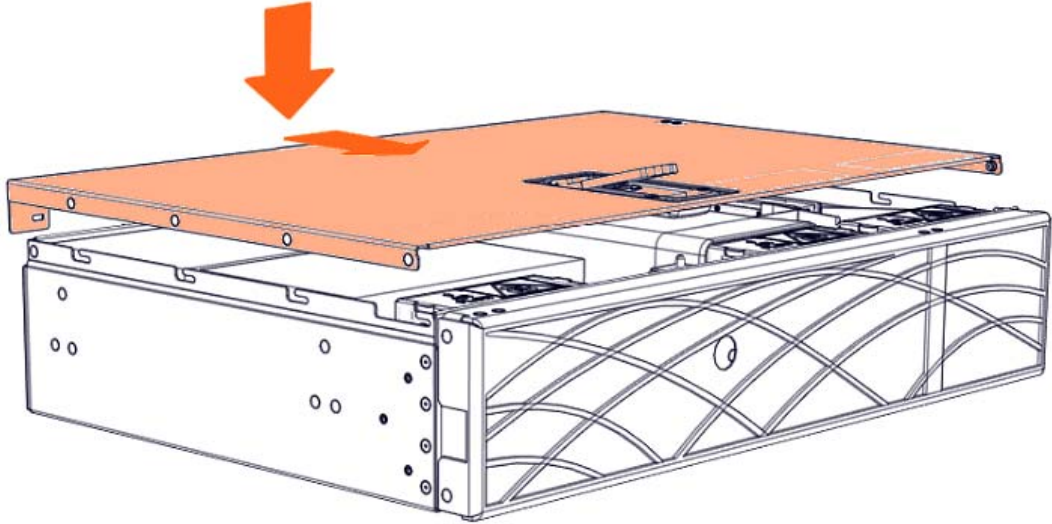
 **Front view**



5. Install the cover

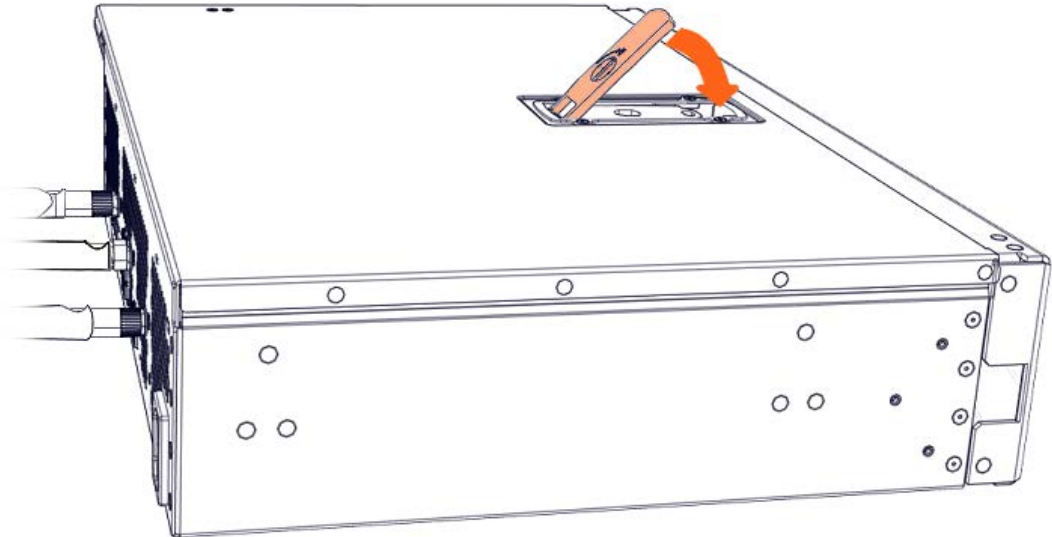
1. Put the cover into place.

 **Front view**



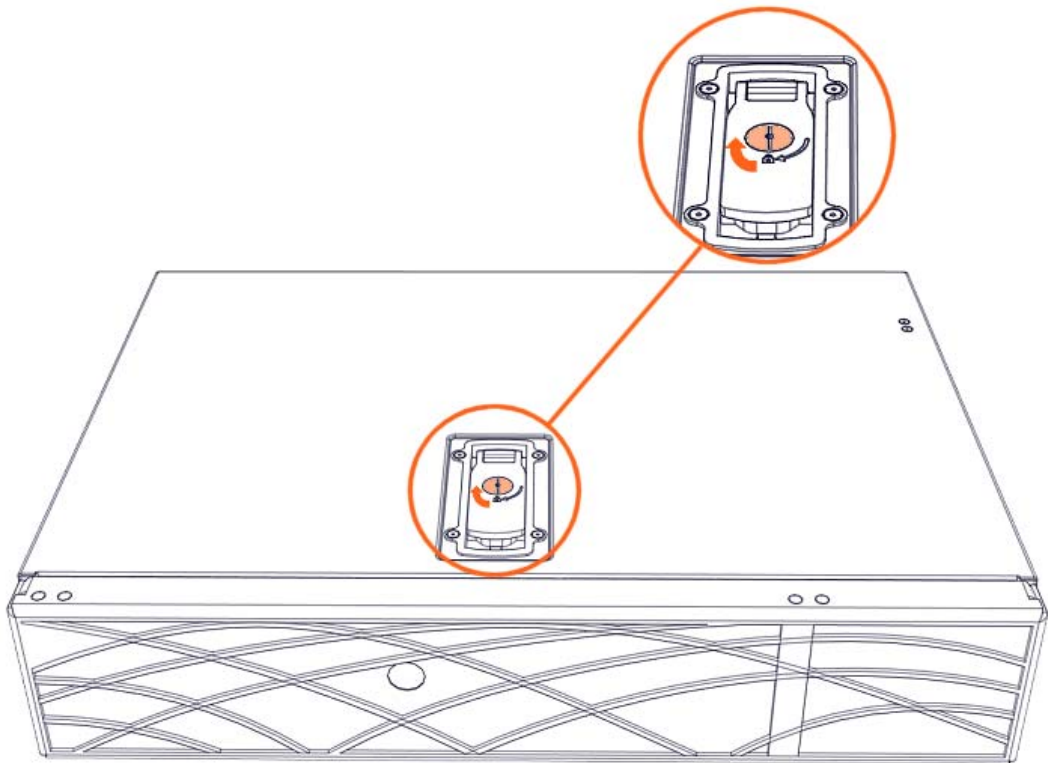
2. Close the latch.

 **Side view**



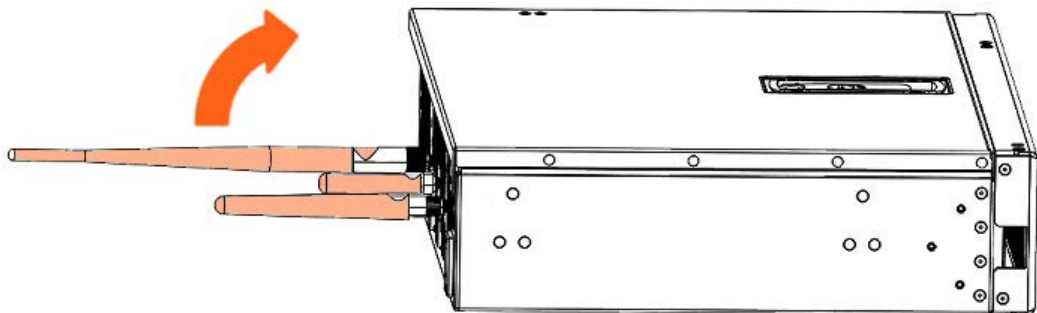
3. Lock the latch to secure the cover in place.

 **Front view**



4. Rotate the external antennas to the vertical position.

 **Side view**

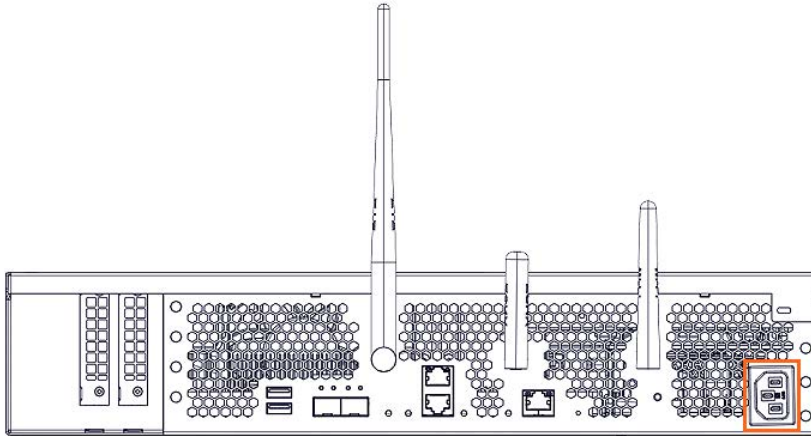


6. Install the top aesthetic cover if aesthetic covers are present

See [Appendix A Servicing the top aesthetic cover](#)

7. Connect the power supply cable

 Rear view



8. Power on the server

Chapter 3. Servicing the processor air duct

Important ATTENTION: Please read carefully the safety instructions before you perform the procedures described in this manual.

Multilingual Safety Notices Guide

C004  **CAUTION**

C004:

Static electricity can damage the server and other electronic devices. To avoid damage, keep static-sensitive devices in their static-protective packages until you are ready to install them.

To reduce the possibility of damage from electrostatic discharge, observe the following precautions:

Limit your movement. Movement can cause static electricity to build up around you.

Wear an electrostatic-discharge wrist strap.

Handle the device carefully, holding it by its edges or its frame.

Do not touch solder joints, pins, or exposed circuitry.

Do not leave the device where others can handle and damage it.

While the device is still in its static-protective package, touch it to an unpainted metal surface on the outside of the server for at least 2 seconds. This drains static electricity from the package and from your body.

Remove the device from its package and install it directly into the server without setting down the device. If it is necessary to set down the device, put it back into its static-protective package. Do not place the device on the server cover or on a metal surface.

Take additional care when you handle devices during cold weather.

Heating reduces indoor humidity and increases static electricity.

See BullSequana Edge Description Guide, 86 A1 65FR to locate the processor air duct.

3.1. Removing the processor air duct

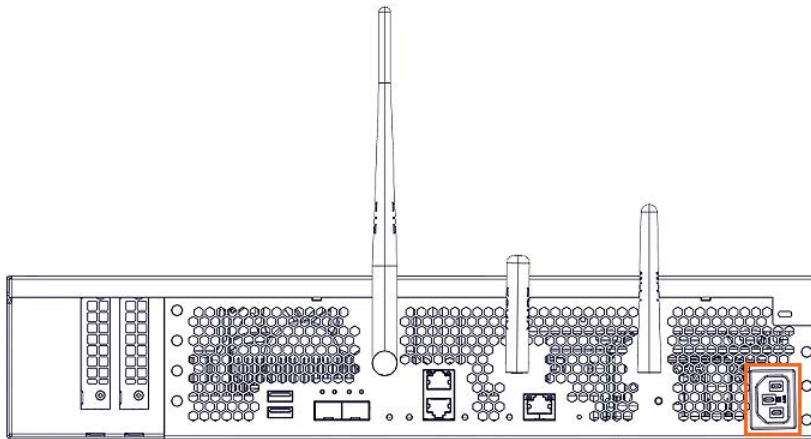
Required Tools

None

Procedure

1. **Unpack the new component on a clean ESD-protected work surface**
2. **Power off the server**
3. **Disconnect the power supply cable**

 **Rear view**



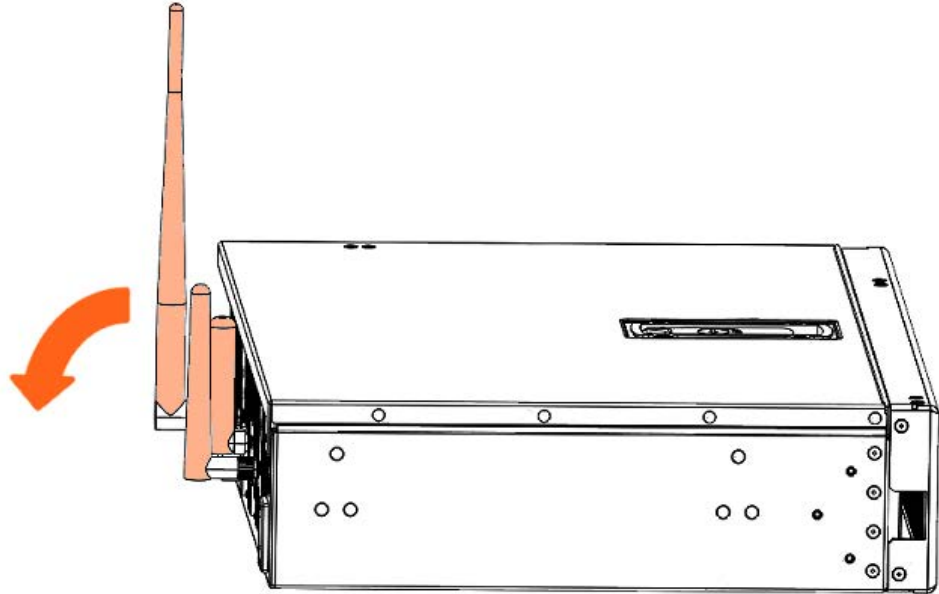
4. **Remove the top aesthetic cover if aesthetic covers are present**

See [Appendix A Servicing the top aesthetic cover](#)

5. Remove the cover

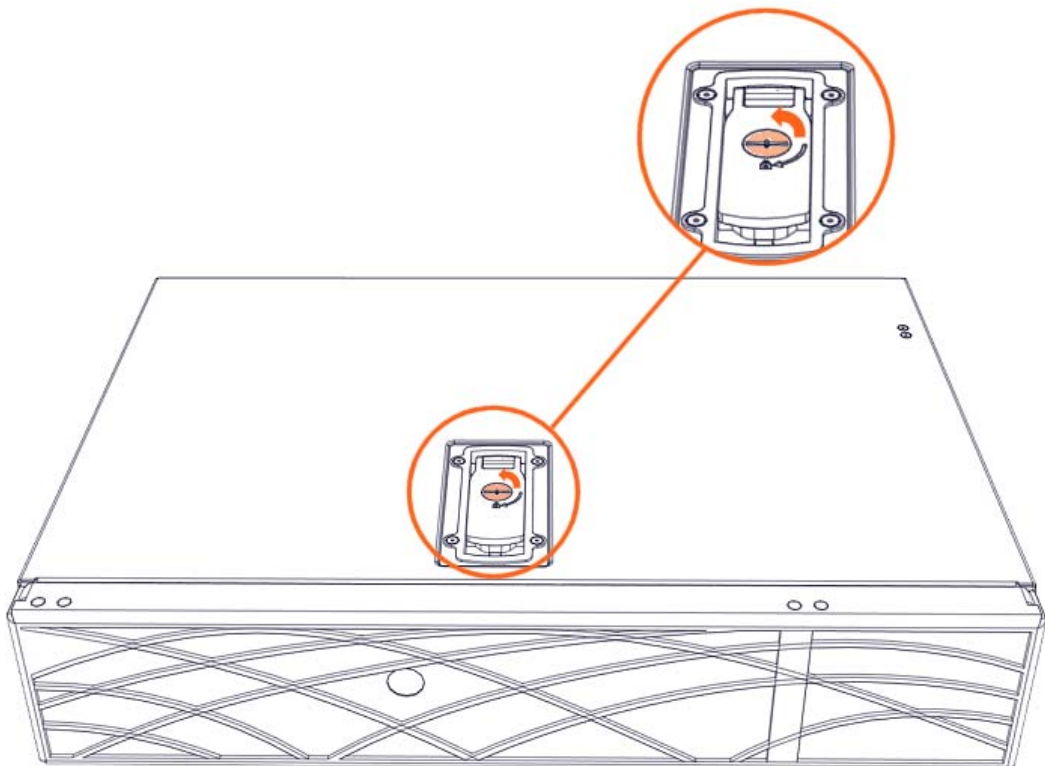
1. Rotate the external antennas to the horizontal position.

 **Side view**



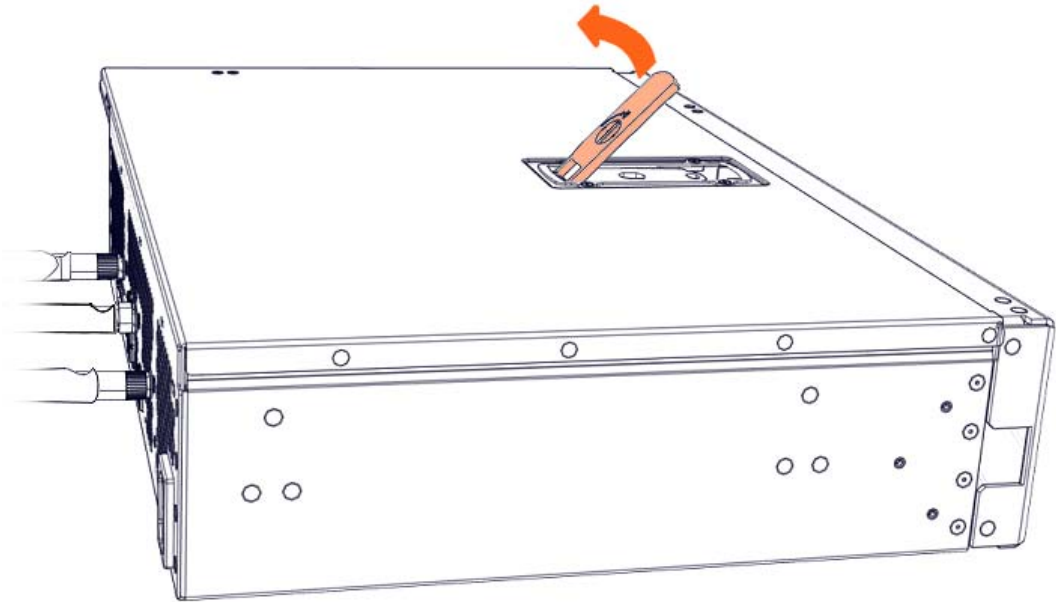
2. Unlock the cover latch.

 **Front view**



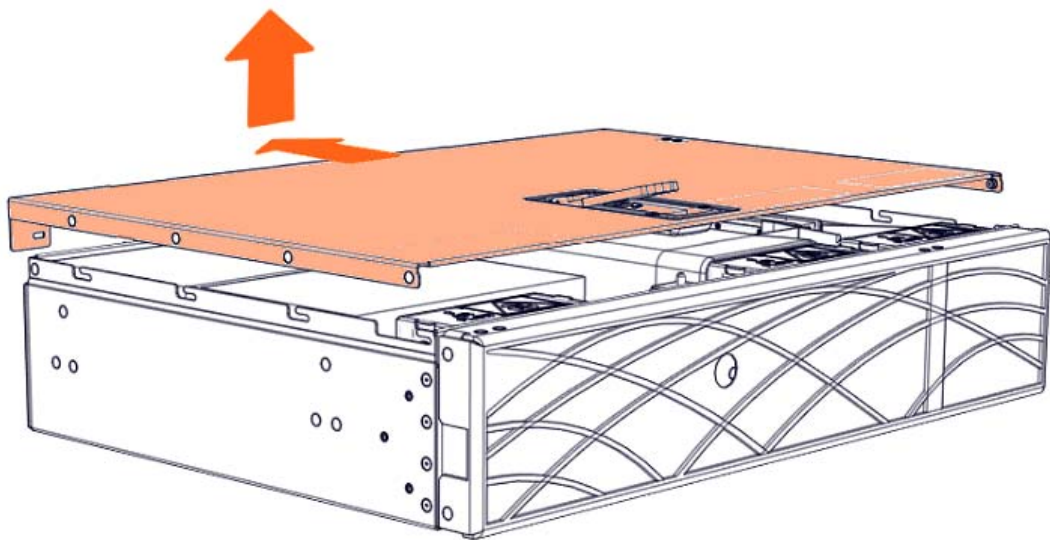
3. Pull the latch up.

 **Side view**



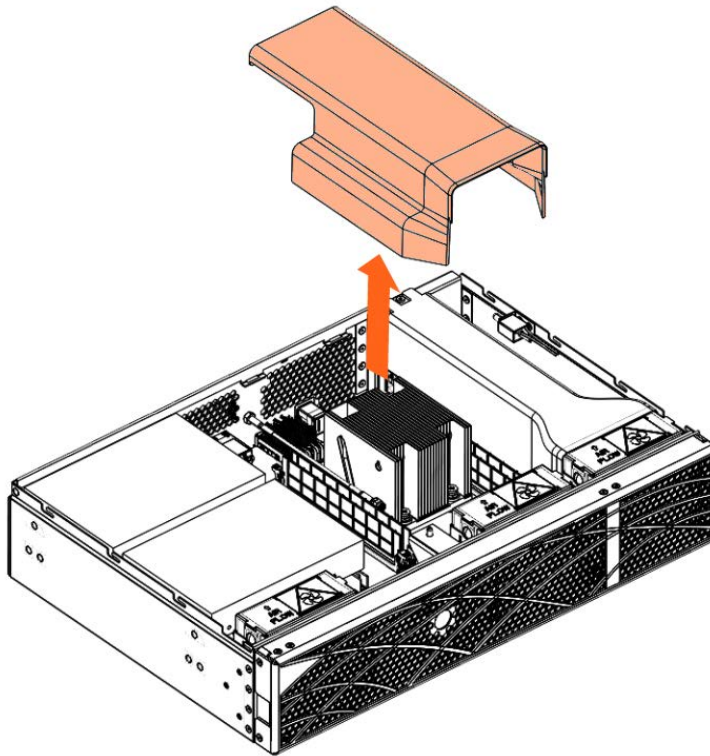
4. Remove the cover.

 **Front view**



6. Remove the processor air duct

 Front view



3.2. Installing the processor air duct

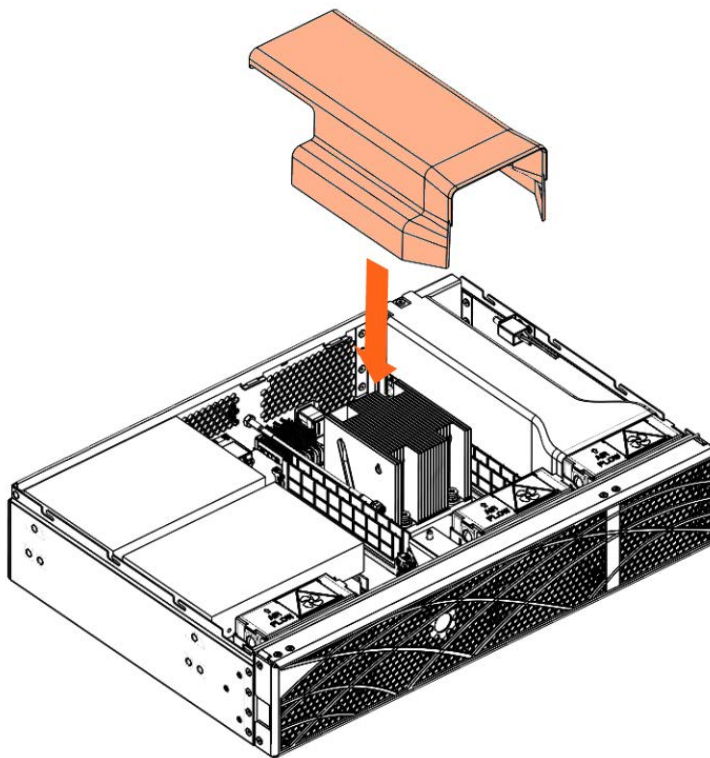
Required Tools

None

Procedure

1. Take hold of the new component
2. Install the processor air duct

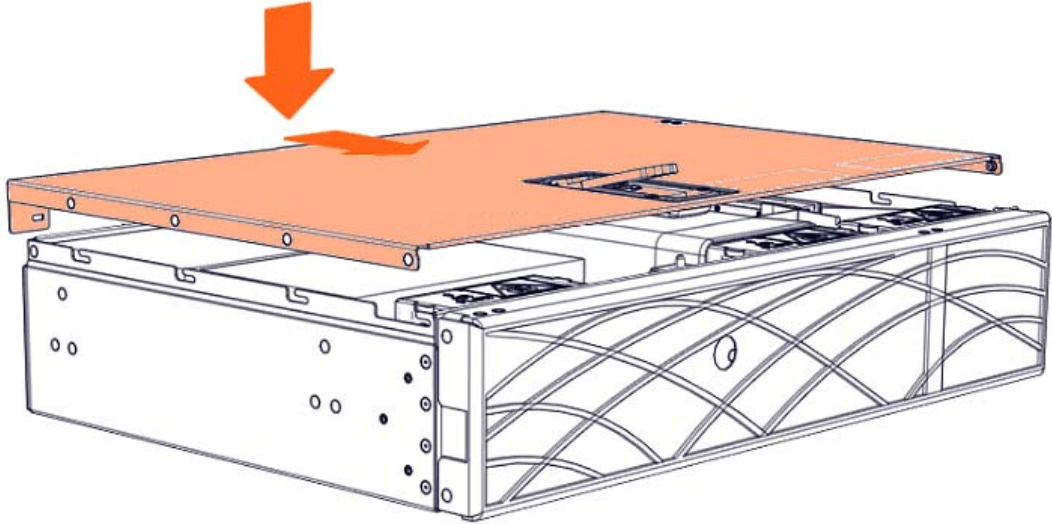
 Front view



3. Install the cover

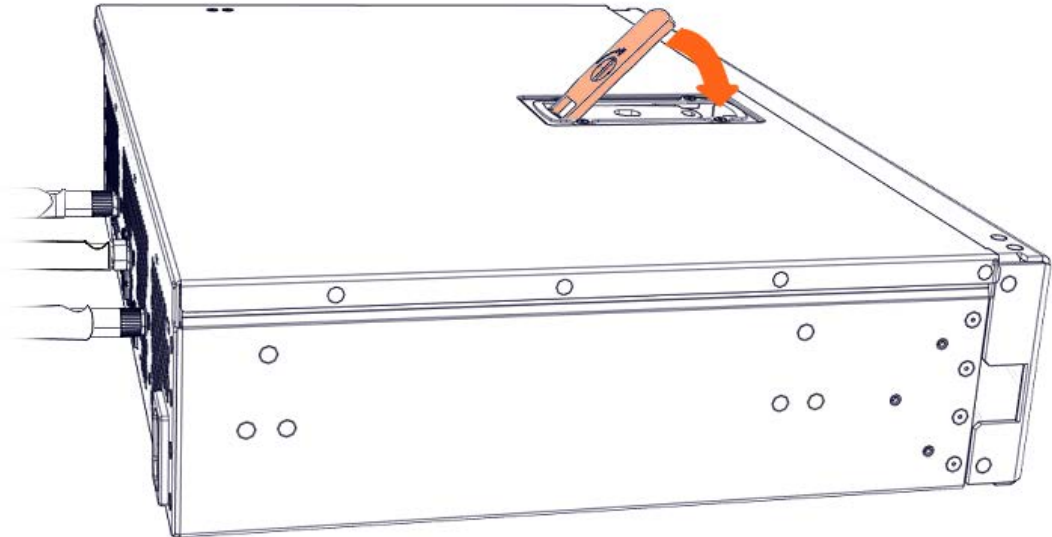
1. Put the cover into place.

 **Front view**



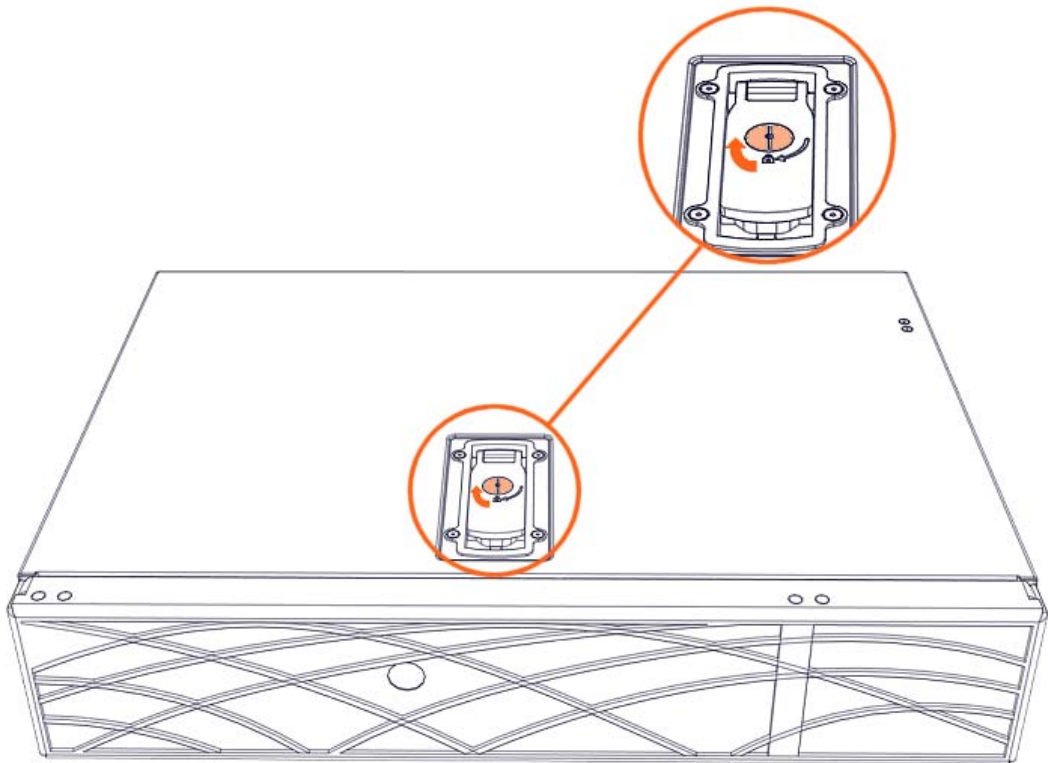
2. Close the latch.

 **Side view**



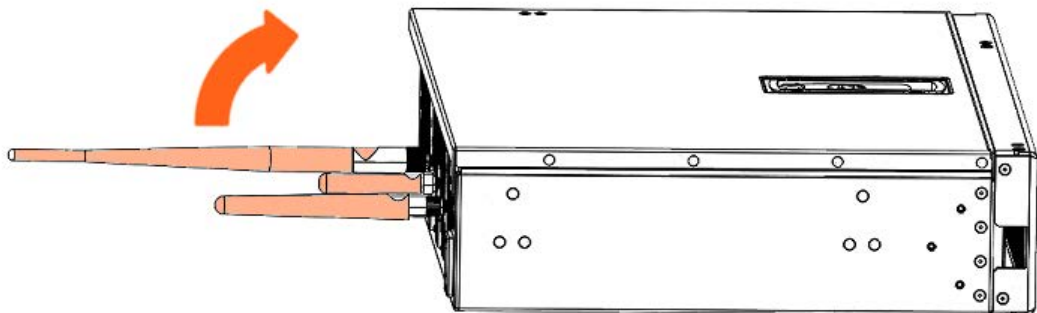
3. Lock the latch to secure the cover in place.

 **Front view**



4. Rotate the external antennas to the vertical position.

 **Side view**

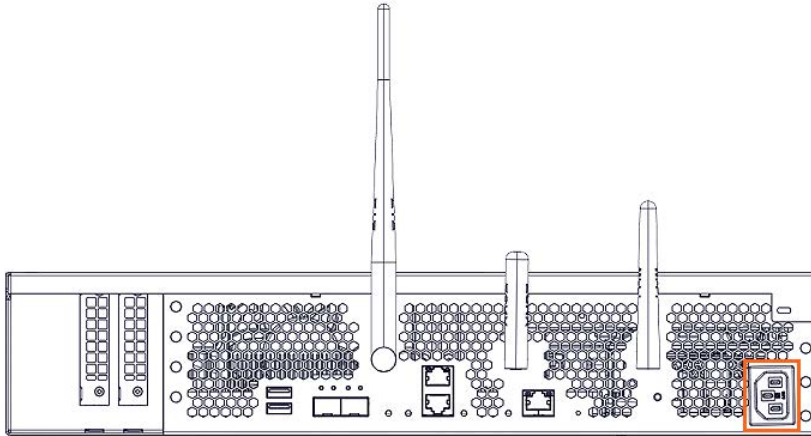


4. Install the top aesthetic cover if aesthetic covers are present

See [Appendix A Servicing the top aesthetic cover](#)

5. Connect the power supply cable

 Rear view



6. Power on the server

Chapter 4. Servicing a memory module

Important ATTENTION: Please read carefully the safety instructions before you perform the procedures described in this manual.

Multilingual Safety Notices Guide

C004  **CAUTION**

C004:

Static electricity can damage the server and other electronic devices. To avoid damage, keep static-sensitive devices in their static-protective packages until you are ready to install them.

To reduce the possibility of damage from electrostatic discharge, observe the following precautions:

Limit your movement. Movement can cause static electricity to build up around you.

Wear an electrostatic-discharge wrist strap.

Handle the device carefully, holding it by its edges or its frame.

Do not touch solder joints, pins, or exposed circuitry.

Do not leave the device where others can handle and damage it.

While the device is still in its static-protective package, touch it to an unpainted metal surface on the outside of the server for at least 2 seconds. This drains static electricity from the package and from your body.

Remove the device from its package and install it directly into the server without setting down the device. If it is necessary to set down the device, put it back into its static-protective package. Do not place the device on the server cover or on a metal surface.

Take additional care when you handle devices during cold weather.

Heating reduces indoor humidity and increases static electricity.

See BullSequana Edge Description Guide, 86 A1 65FR to locate the memory module.

4.1. Removing a memory module

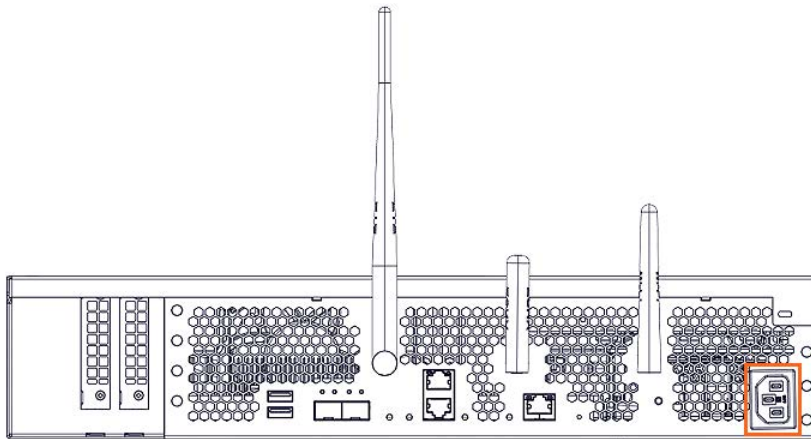
Required Tools

None

Procedure

1. **Unpack the new component on a clean ESD-protected work surface**
2. **Power off the server**
3. **Disconnect the power supply cable**

 **Rear view**



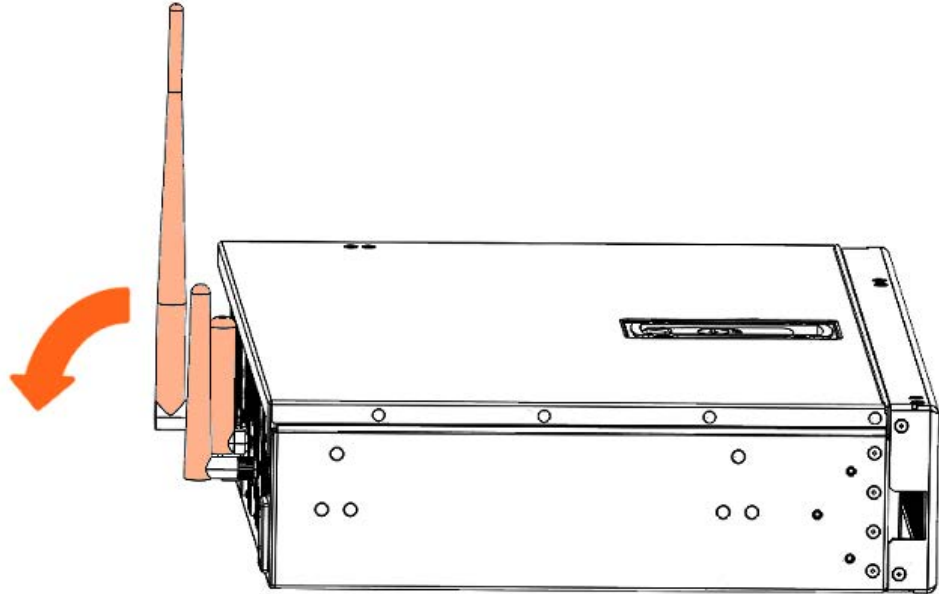
4. **Remove the top aesthetic cover if aesthetic covers are present**

See [Appendix A Servicing the top aesthetic cover](#)

5. Remove the cover

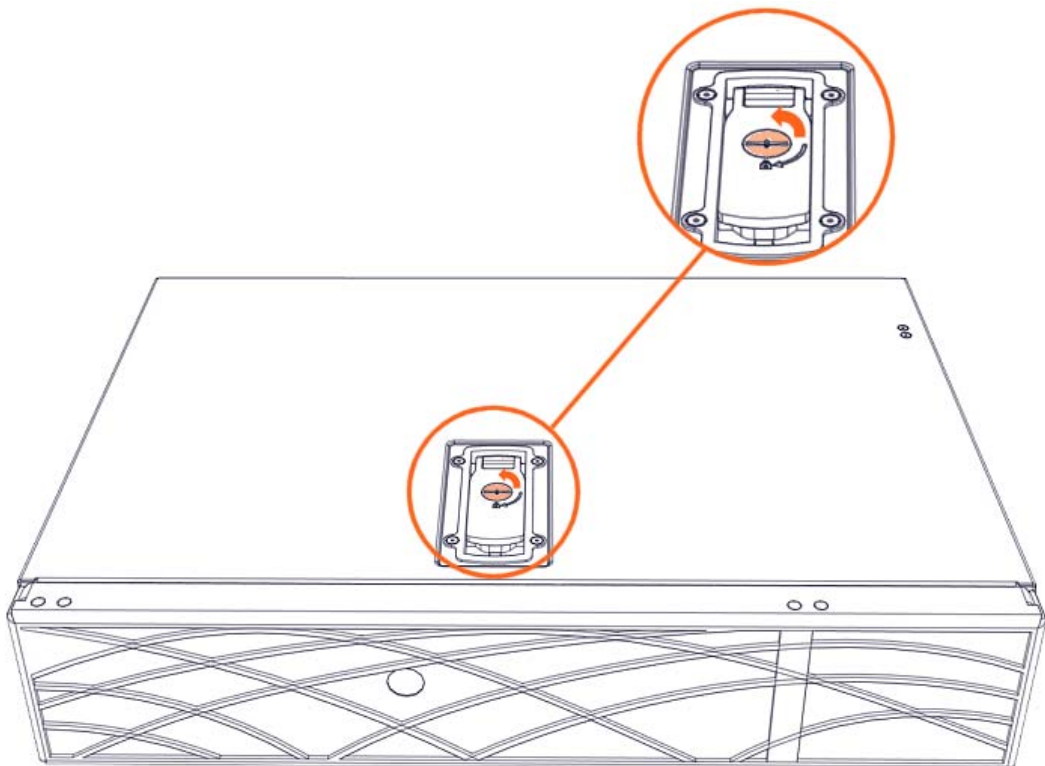
1. Rotate the external antennas to the horizontal position.

 **Side view**



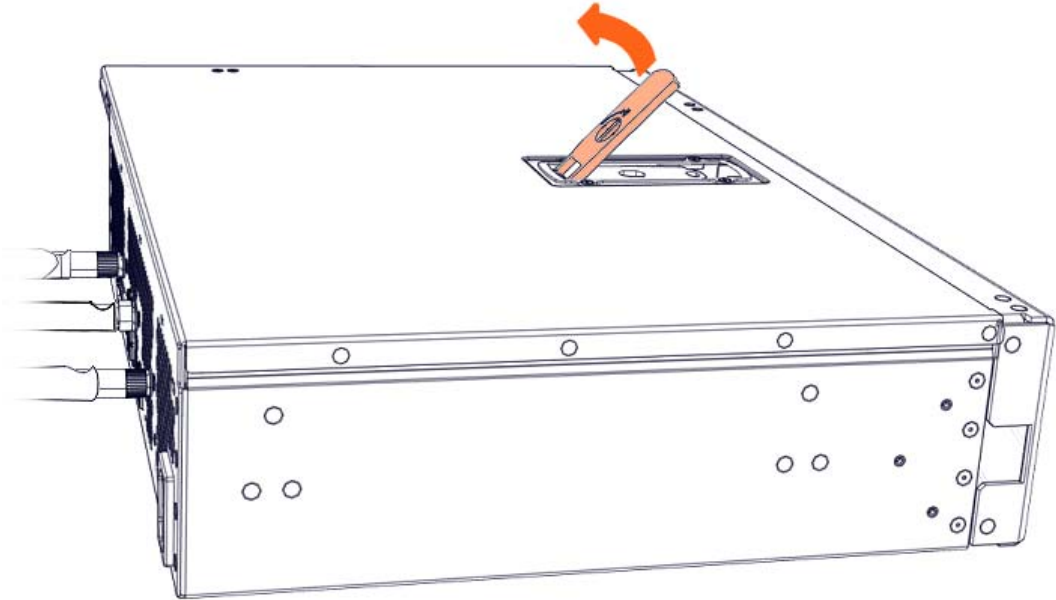
2. Unlock the cover latch.

 **Front view**



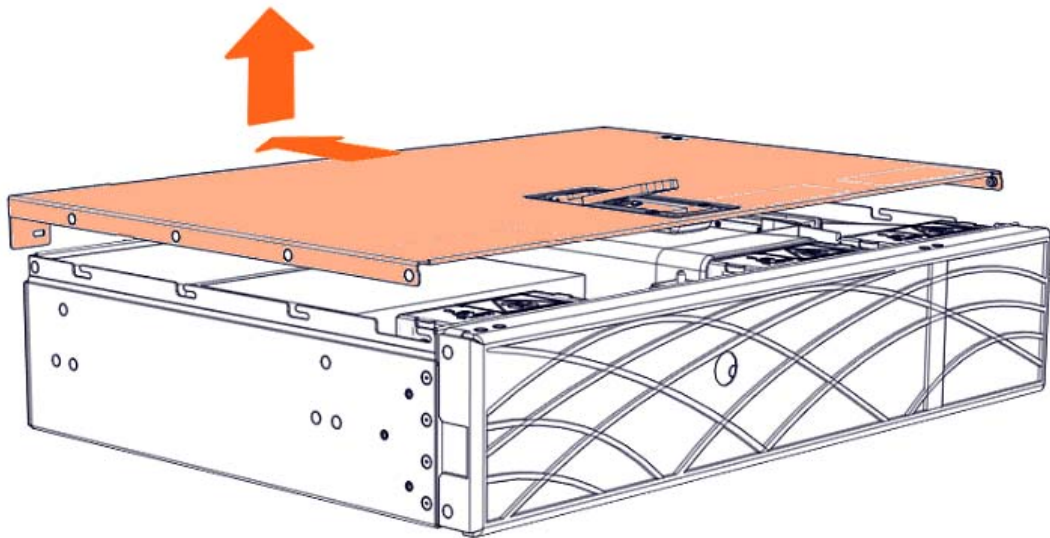
3. Pull the latch up.

 **Side view**



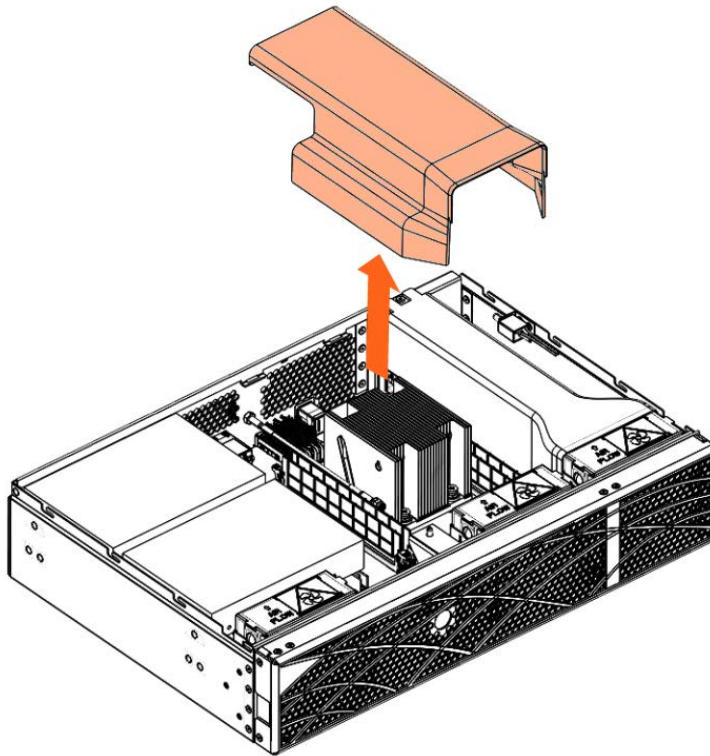
4. Remove the cover.

 **Front view**



6. Remove the processor air duct

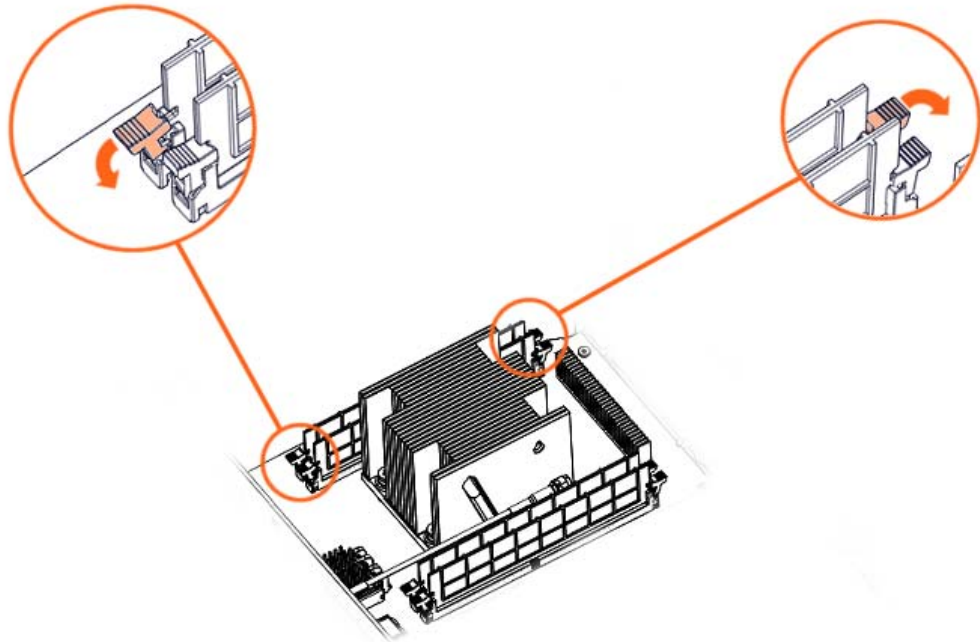
 Front view



7. Remove the memory module

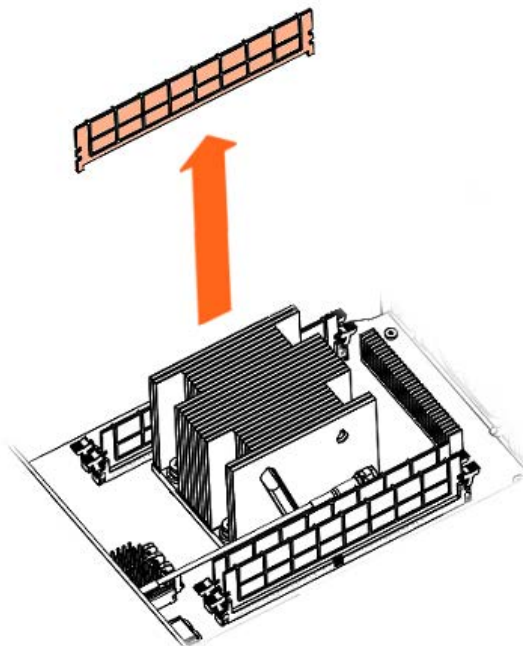
Important Always hold the module by the edges to avoid electrical and structural damage.

1. Press the retention latches down to release the memory module



2. Remove the memory module

 **Front view**



4.2. Installing a memory module

Required Tools

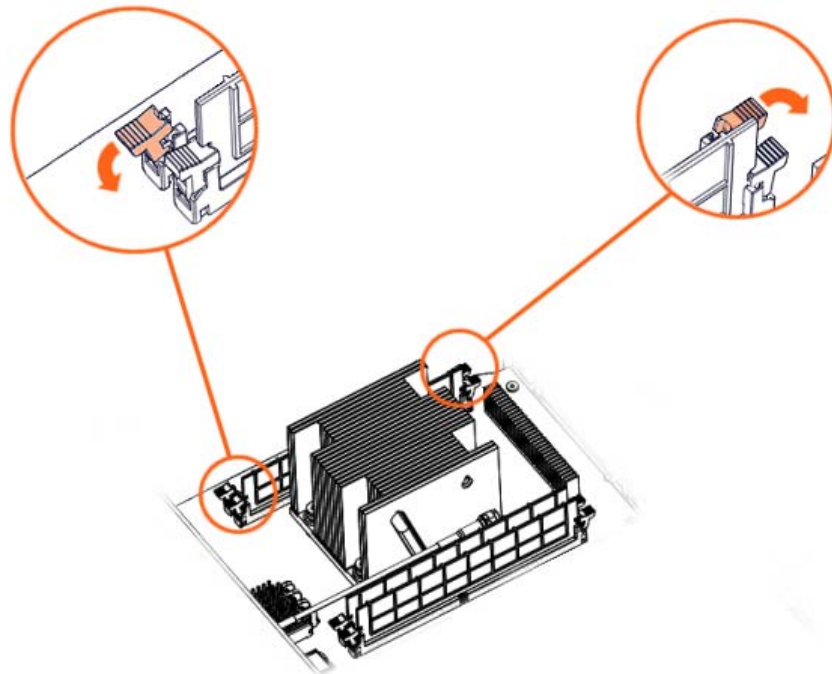
None

Procedure

1. Take hold of the new component
2. Install the memory module

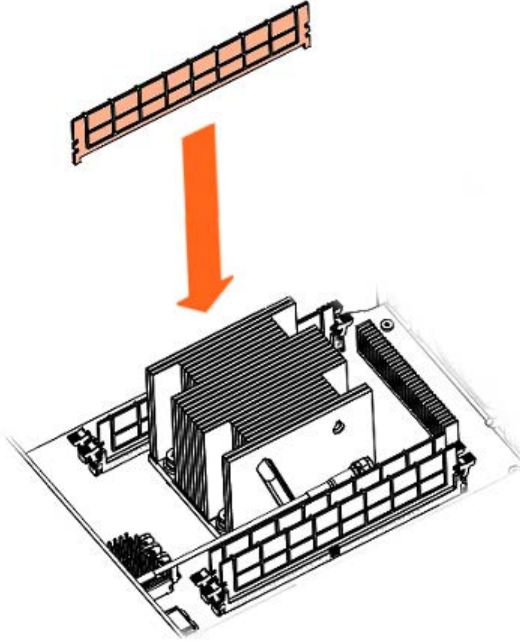
Important Always hold the module by the edges to avoid electrical and structural damage.

1. Make sure that the retention latches at both ends of the memory module connector are pushed outward to the open position.



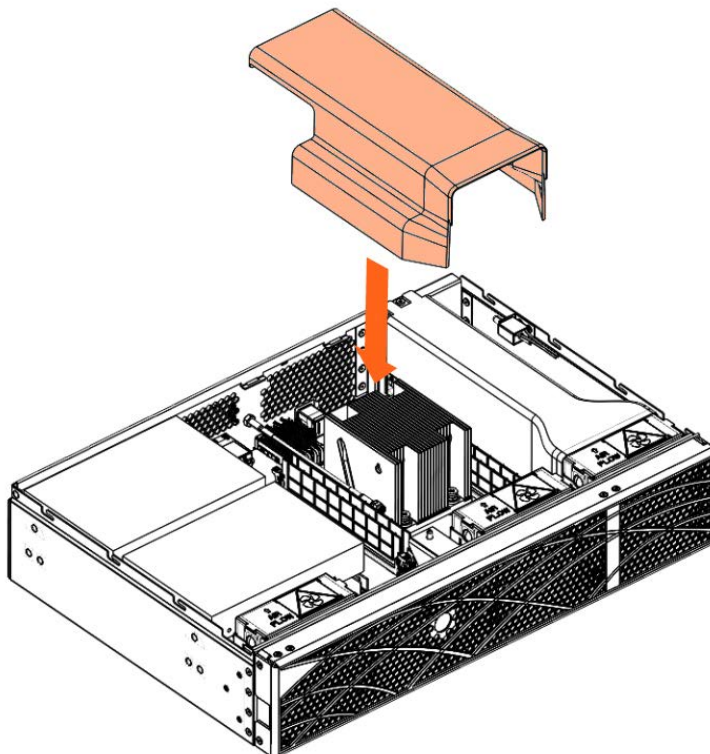
- Carefully push down on each side of the memory module until it sits in the slot and the retention latches close.

 **Front view**



3. Install the processor air duct

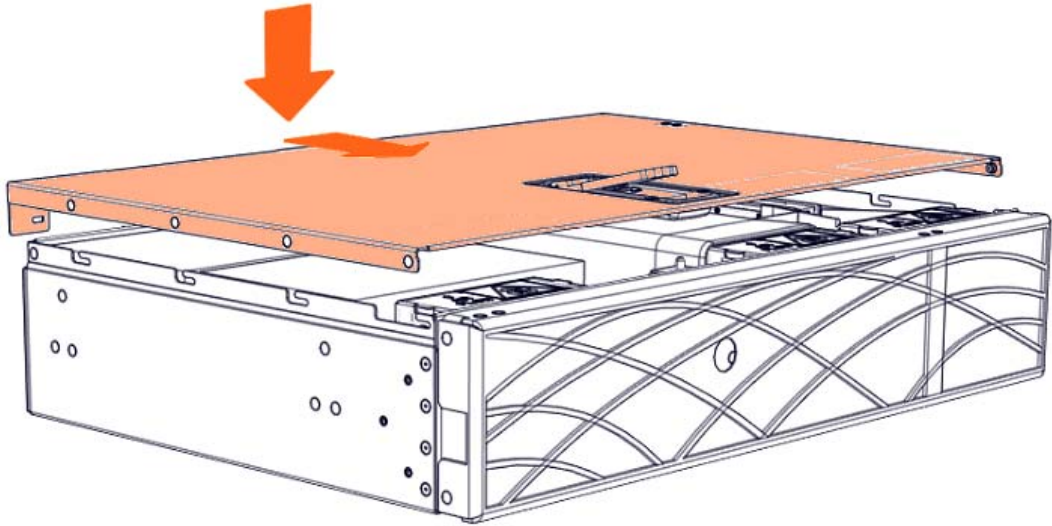
 **Front view**



4. Install the cover

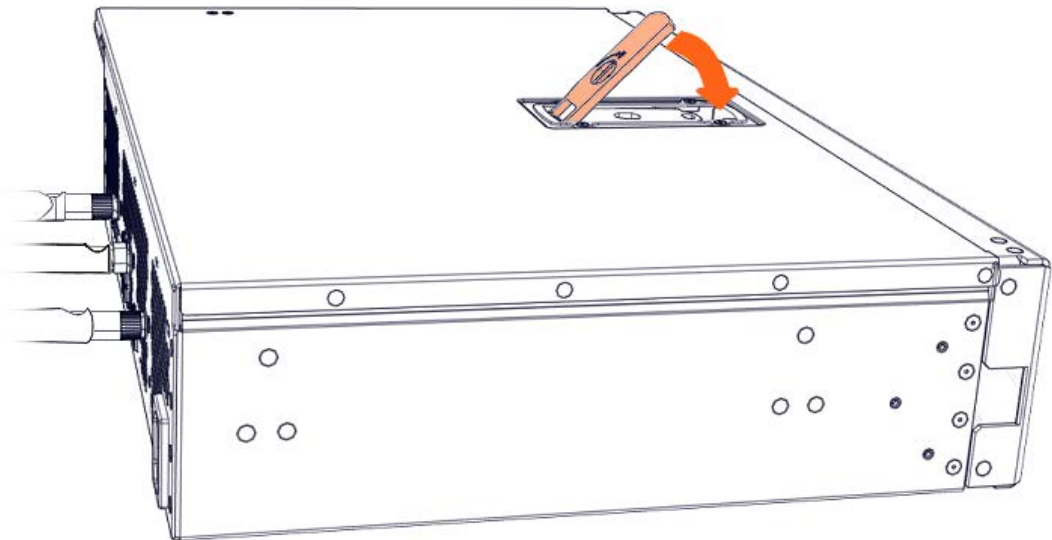
1. Put the cover into place.

 **Front view**



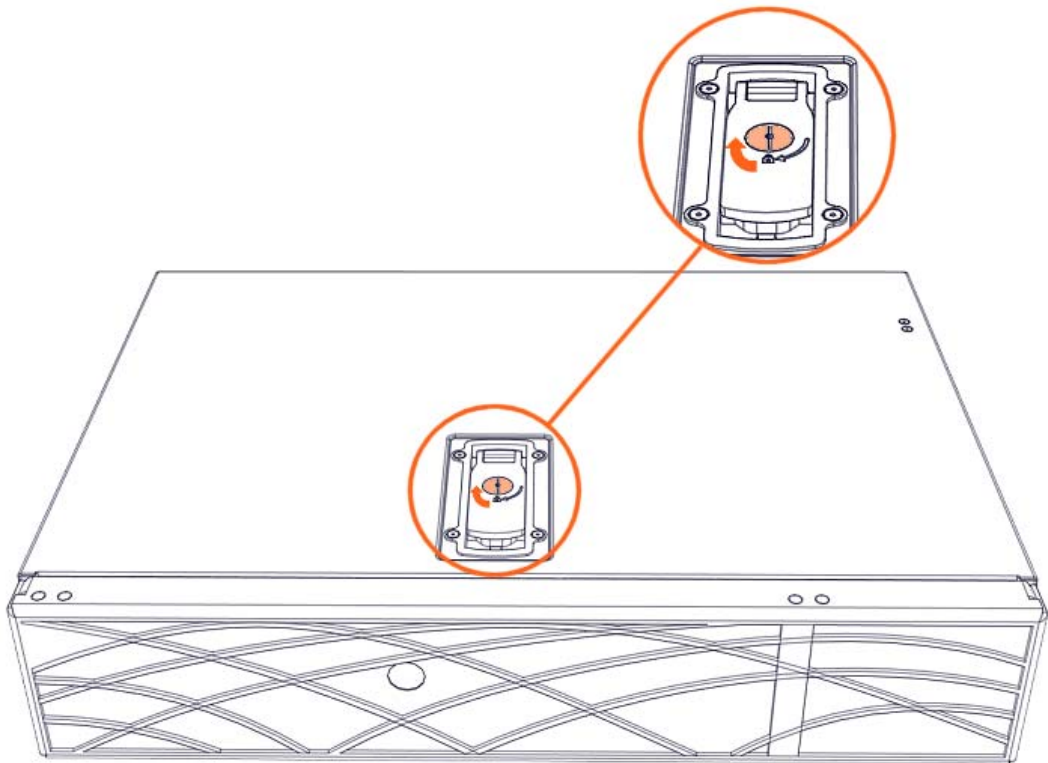
2. Close the latch.

 **Side view**



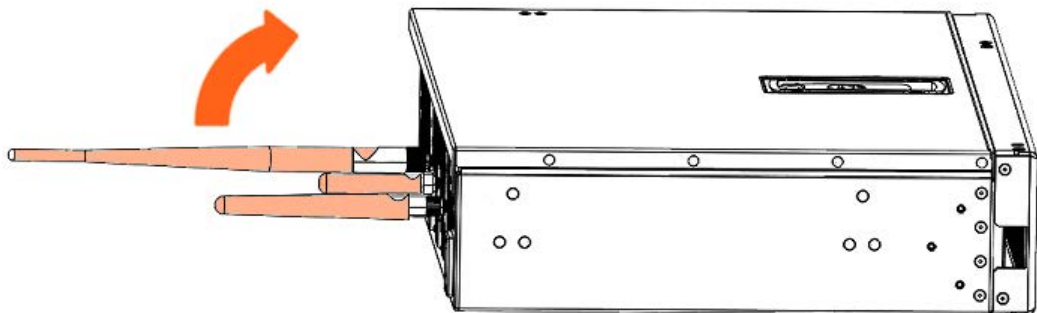
3. Lock the latch to secure the cover in place.

 **Front view**



4. Rotate the external antennas to the vertical position.

 **Side view**

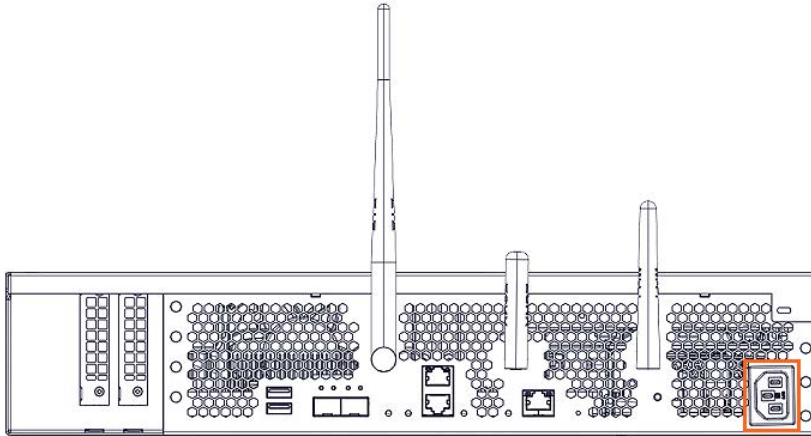


5. Install the top aesthetic cover if aesthetic covers are present

See [Appendix A Servicing the top aesthetic cover](#)

6. Connect the power supply cable

 Rear view



7. Power on the server

Chapter 5. Servicing an accelerator

Important ATTENTION: Please read carefully the safety instructions before you perform the procedures described in this manual.

Multilingual Safety Notices Guide

C004  **CAUTION**

C004:

Static electricity can damage the server and other electronic devices. To avoid damage, keep static-sensitive devices in their static-protective packages until you are ready to install them.

To reduce the possibility of damage from electrostatic discharge, observe the following precautions:

Limit your movement. Movement can cause static electricity to build up around you.

Wear an electrostatic-discharge wrist strap.

Handle the device carefully, holding it by its edges or its frame.

Do not touch solder joints, pins, or exposed circuitry.

Do not leave the device where others can handle and damage it.

While the device is still in its static-protective package, touch it to an unpainted metal surface on the outside of the server for at least 2 seconds. This drains static electricity from the package and from your body.

Remove the device from its package and install it directly into the server without setting down the device. If it is necessary to set down the device, put it back into its static-protective package. Do not place the device on the server cover or on a metal surface.

Take additional care when you handle devices during cold weather.

Heating reduces indoor humidity and increases static electricity.

See BullSequana Edge Description Guide, 86 A1 65FR to locate the accelerator.

5.1. Removing an accelerator

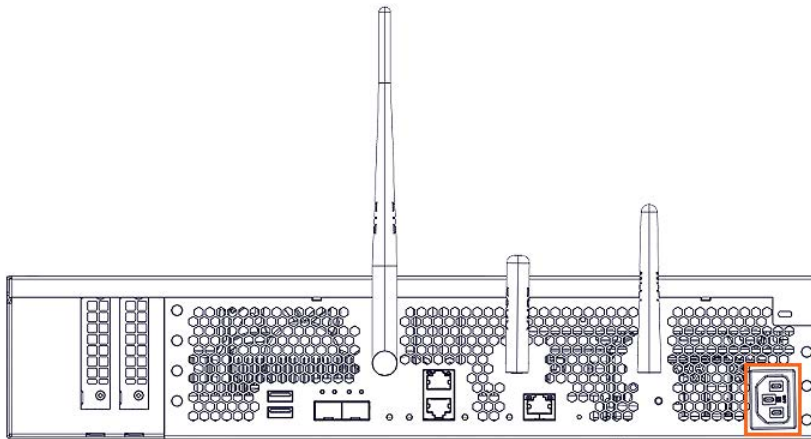
Required Tools

T10 Torx screwdriver

Procedure

1. **Unpack the new component on a clean ESD-protected work surface**
2. **Power off the server**
3. **Disconnect the power supply cable**

 **Rear view**



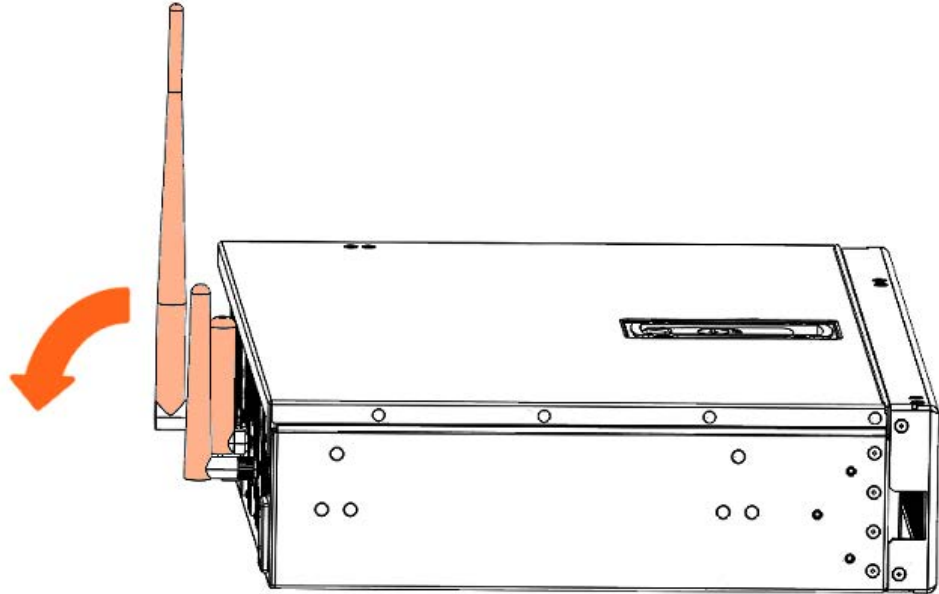
4. **Remove the top aesthetic cover if aesthetic covers are present**

See [Appendix A Servicing the top aesthetic cover](#)

5. Remove the cover

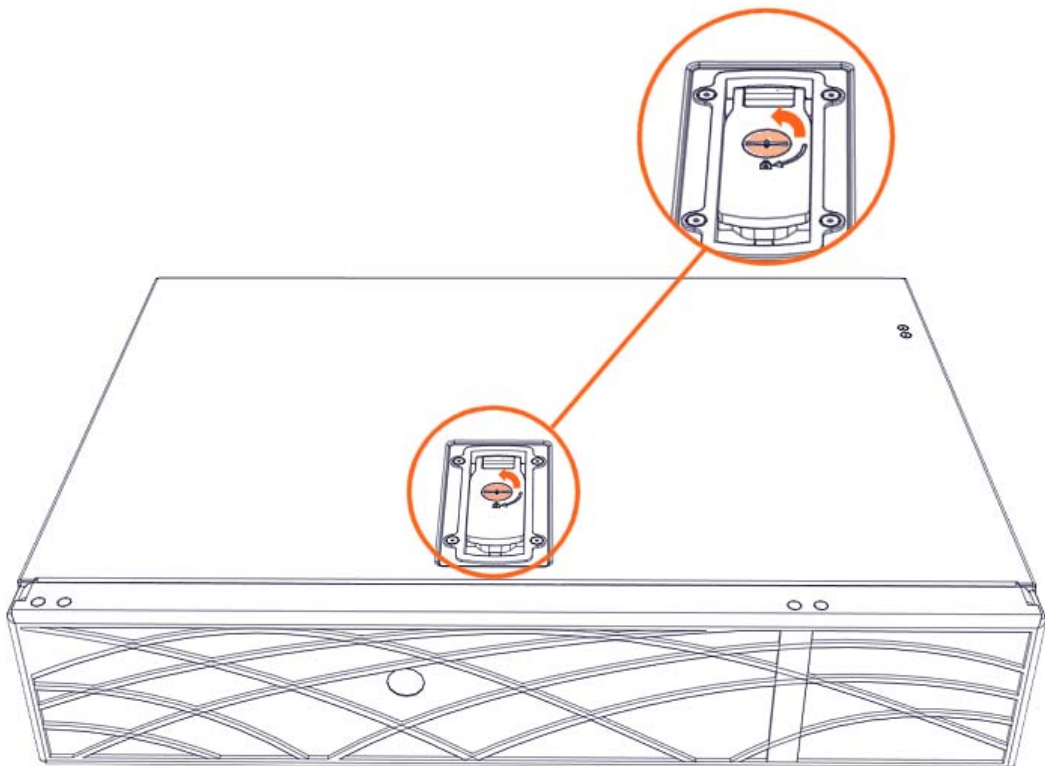
1. Rotate the external antennas to the horizontal position.

 **Side view**



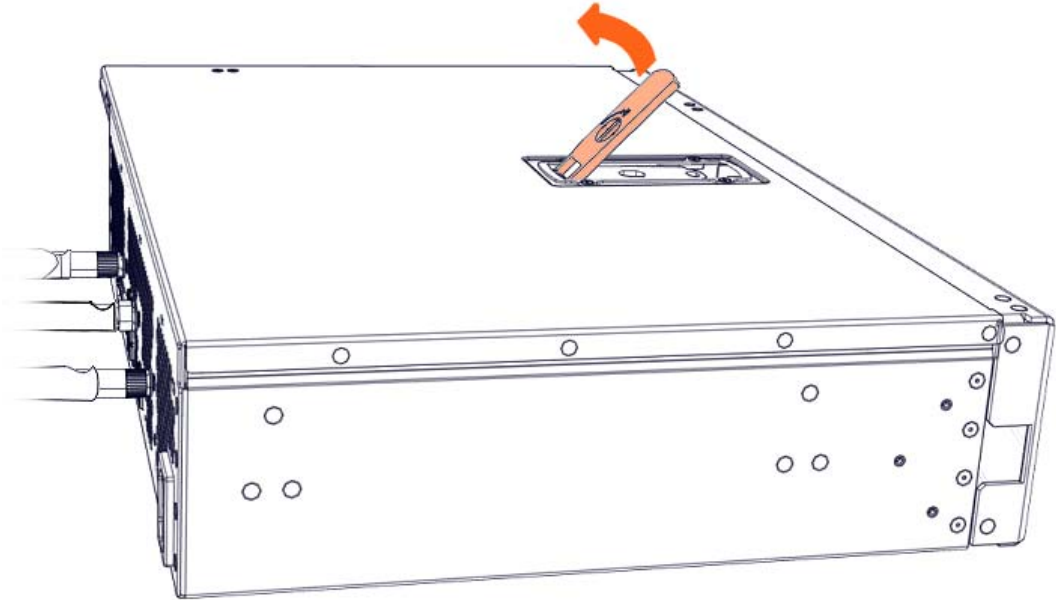
2. Unlock the cover latch.

 **Front view**



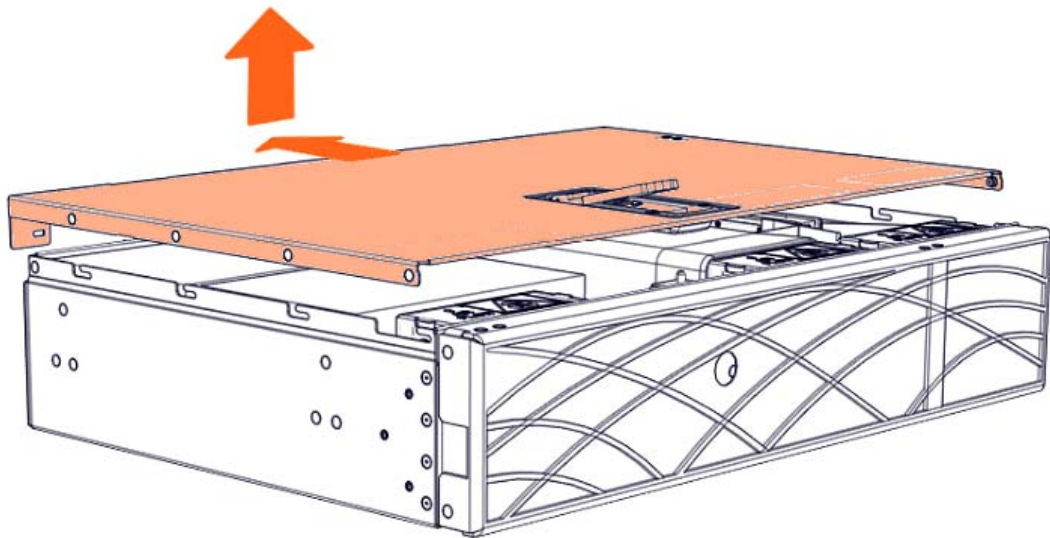
3. Pull the latch up.

 **Side view**



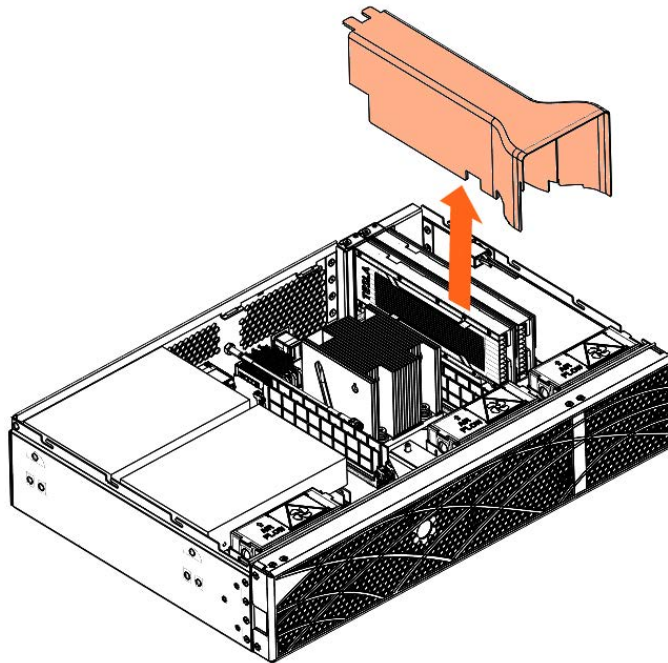
4. Remove the cover.

 **Front view**



6. Remove the accelerator air duct if present

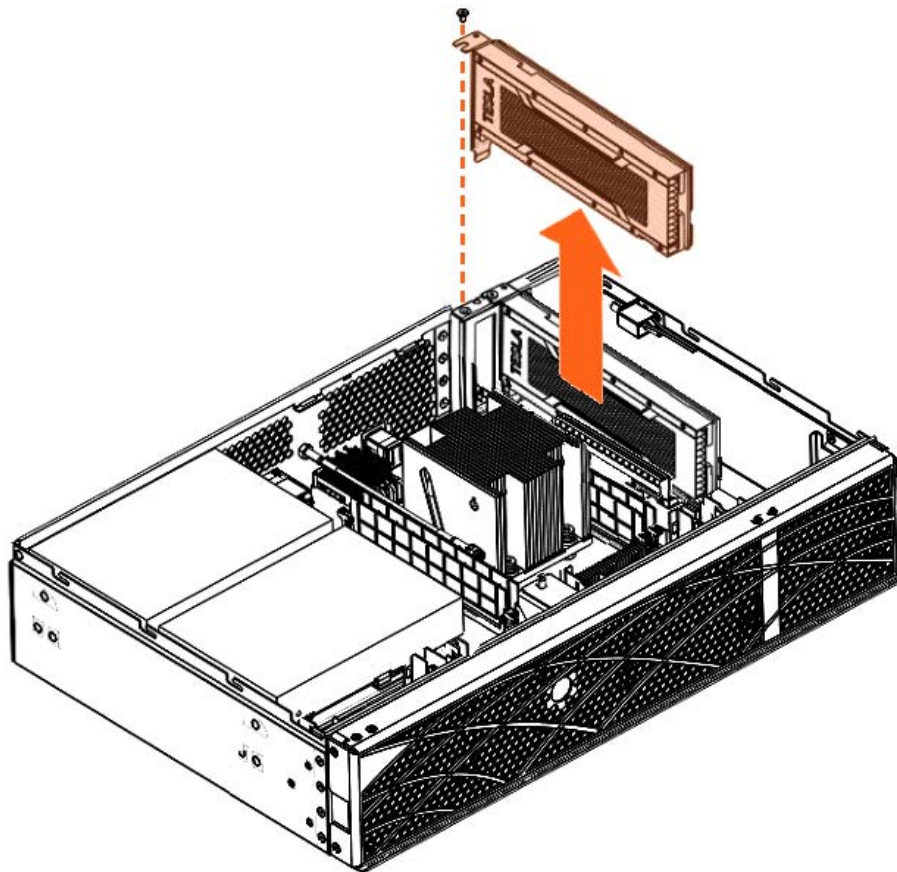
 **Front view**



7. Remove the accelerator

1. Remove the screw.
2. Pull the accelerator out.

 **Front view**



5.2. Installing an accelerator

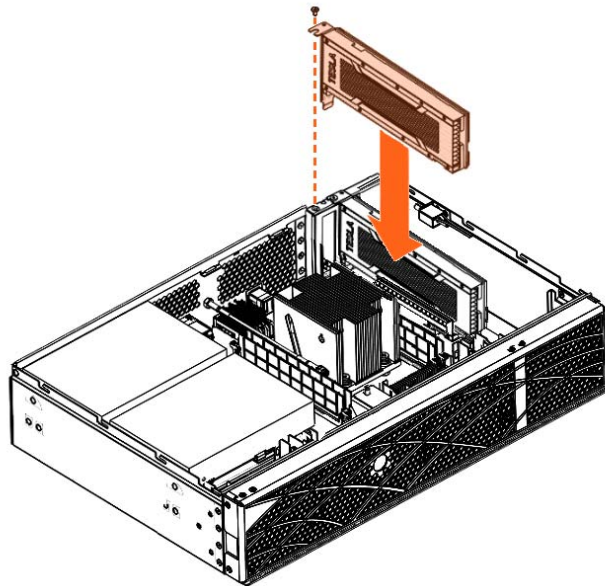
Required Tools

T10 Torx screwdriver

Procedure

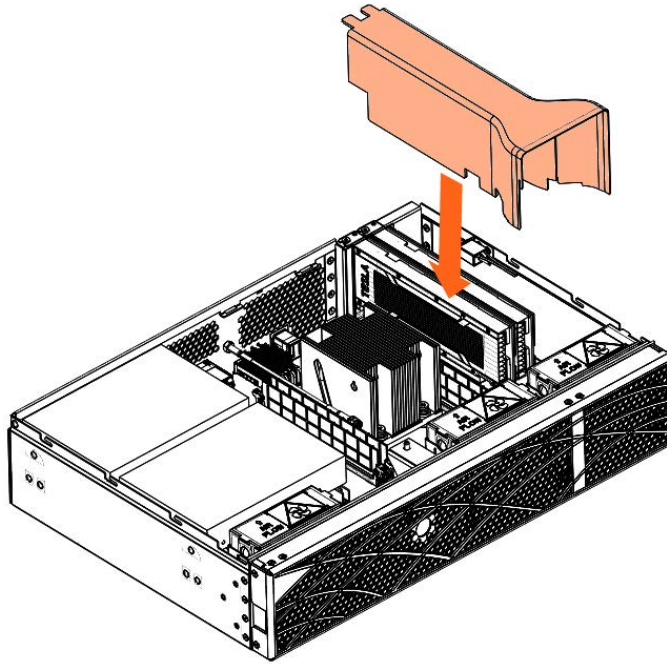
1. **Take hold of the new component**
2. **Install the accelerator**
 1. Position the accelerator.
 2. Tighten the screw.

 **Top view**



3. Install the accelerator air duct if present

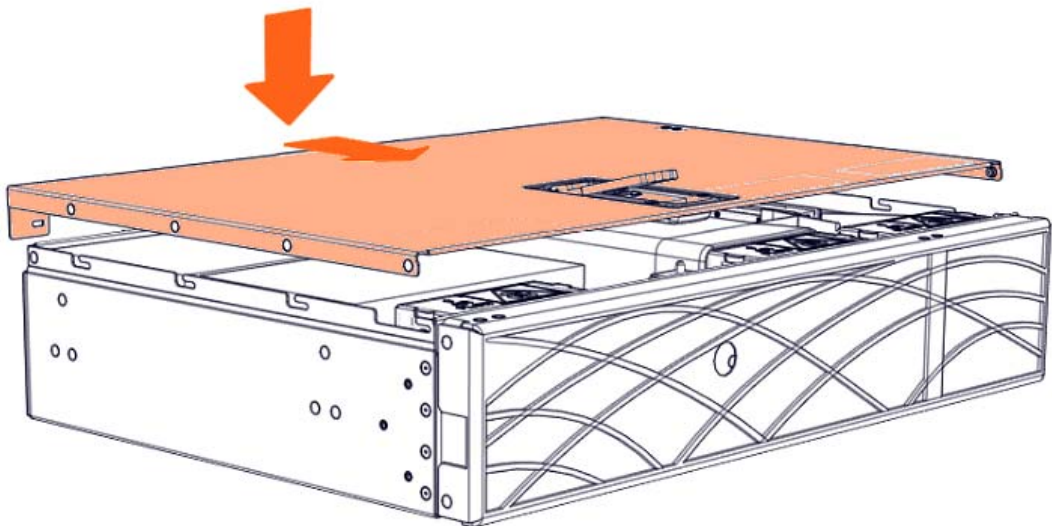
 Front view



4. Install the cover

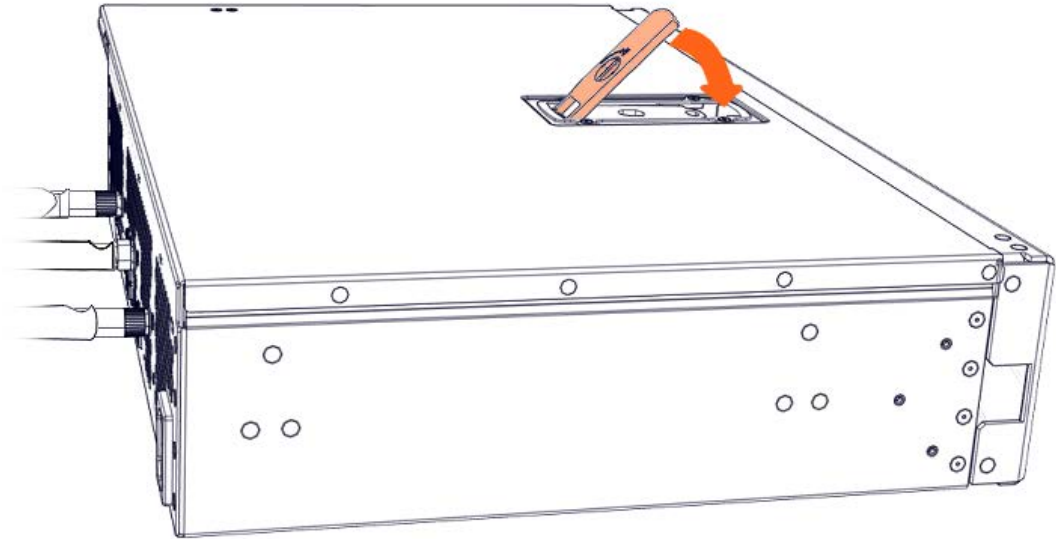
1. Put the cover into place.

 Front view



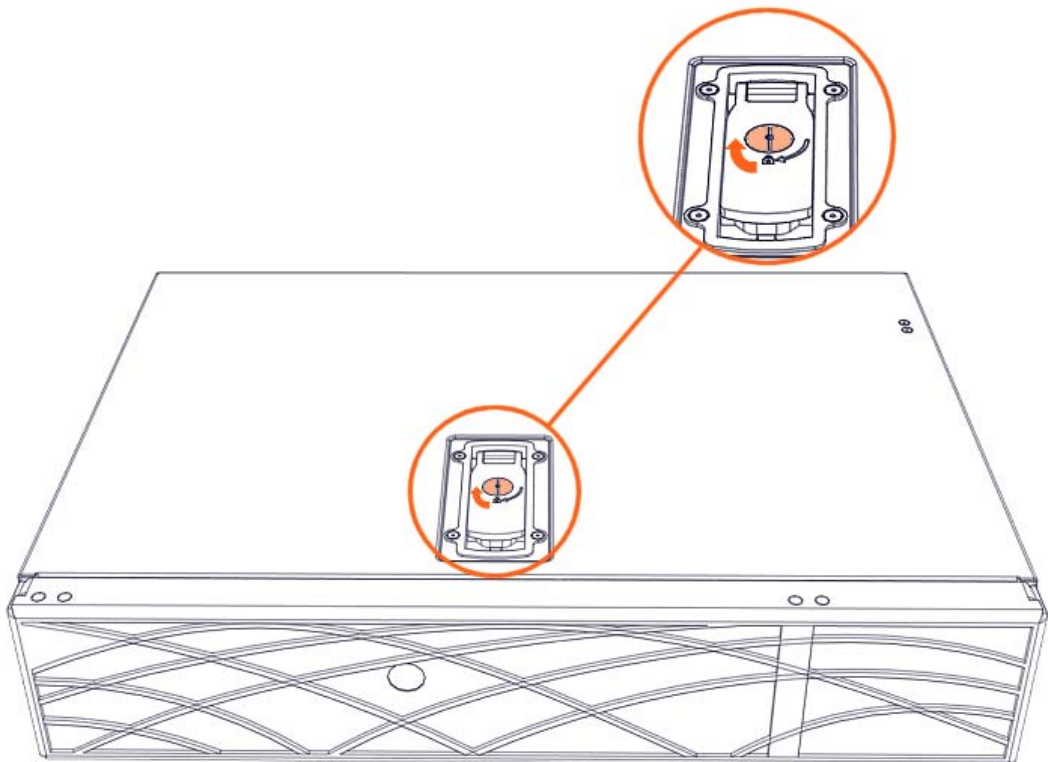
2. Close the latch.

 **Side view**



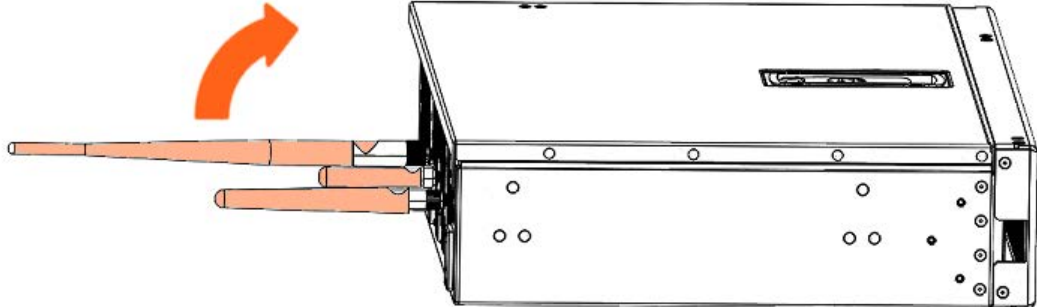
3. Lock the latch to secure the cover in place.

 **Front view**



4. Rotate the external antennas to the vertical position.

 **Side view**

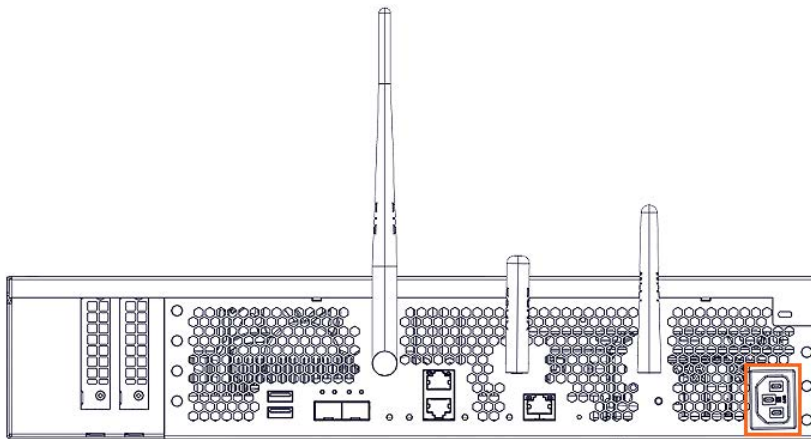


5. **Install the top aesthetic cover if aesthetic covers are present**

See [Appendix A Servicing the top aesthetic cover](#)

6. **Connect the power supply cable**

 **Rear view**



7. **Power on the server**

Chapter 6. Servicing a 2.5" disk

Important ATTENTION: Please read carefully the safety instructions before you perform the procedures described in this manual.

Multilingual Safety Notices Guide

C004  **CAUTION**

C004:

Static electricity can damage the server and other electronic devices. To avoid damage, keep static-sensitive devices in their static-protective packages until you are ready to install them.

To reduce the possibility of damage from electrostatic discharge, observe the following precautions:

Limit your movement. Movement can cause static electricity to build up around you.

Wear an electrostatic-discharge wrist strap.

Handle the device carefully, holding it by its edges or its frame.

Do not touch solder joints, pins, or exposed circuitry.

Do not leave the device where others can handle and damage it.

While the device is still in its static-protective package, touch it to an unpainted metal surface on the outside of the server for at least 2 seconds. This drains static electricity from the package and from your body.

Remove the device from its package and install it directly into the server without setting down the device. If it is necessary to set down the device, put it back into its static-protective package. Do not place the device on the server cover or on a metal surface.

Take additional care when you handle devices during cold weather.

Heating reduces indoor humidity and increases static electricity.

See BullSequana Edge Description Guide, 86 A1 65FR to locate the disk.

6.1. Removing a 2.5" disk

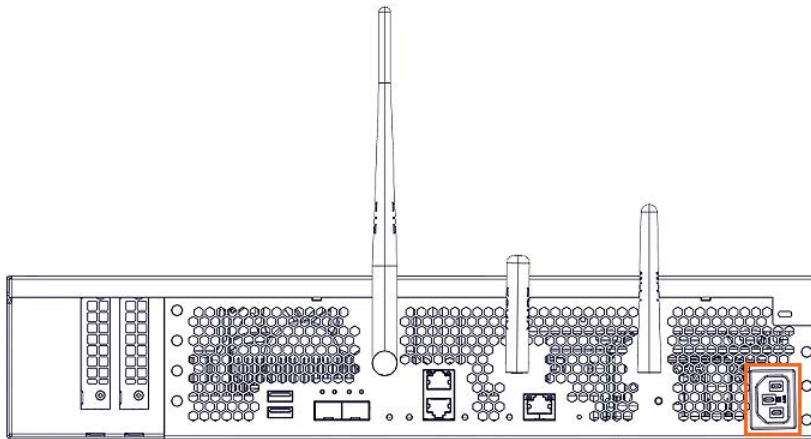
Required Tools

Flat screwdriver

Procedure

1. **Unpack the new component on a clean ESD-protected work surface**
2. **Power off the server**
3. **Disconnect the power supply cable**

 **Rear view**



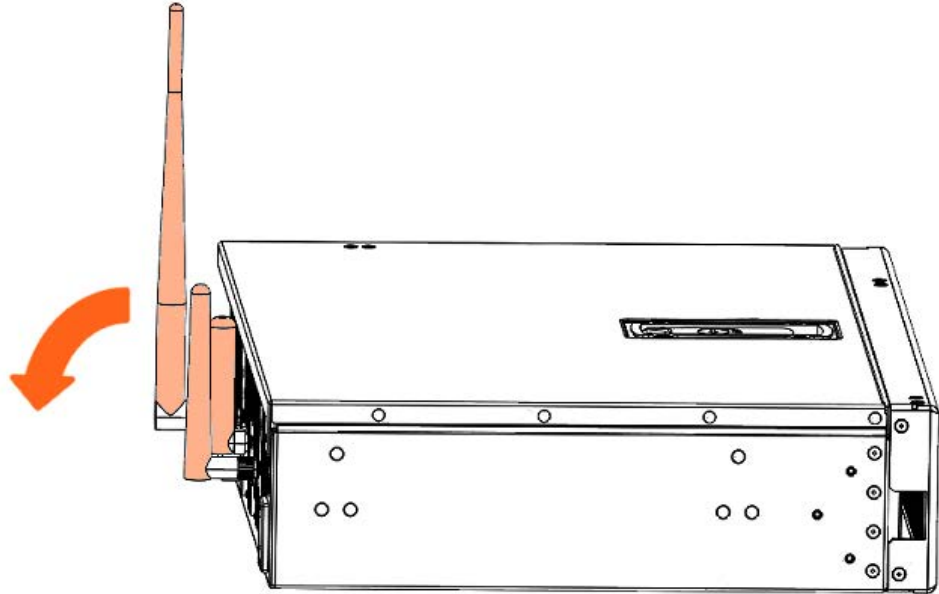
4. **Remove the top aesthetic cover if aesthetic covers are present**

See [Appendix A Servicing the top aesthetic cover](#)

5. Remove the cover

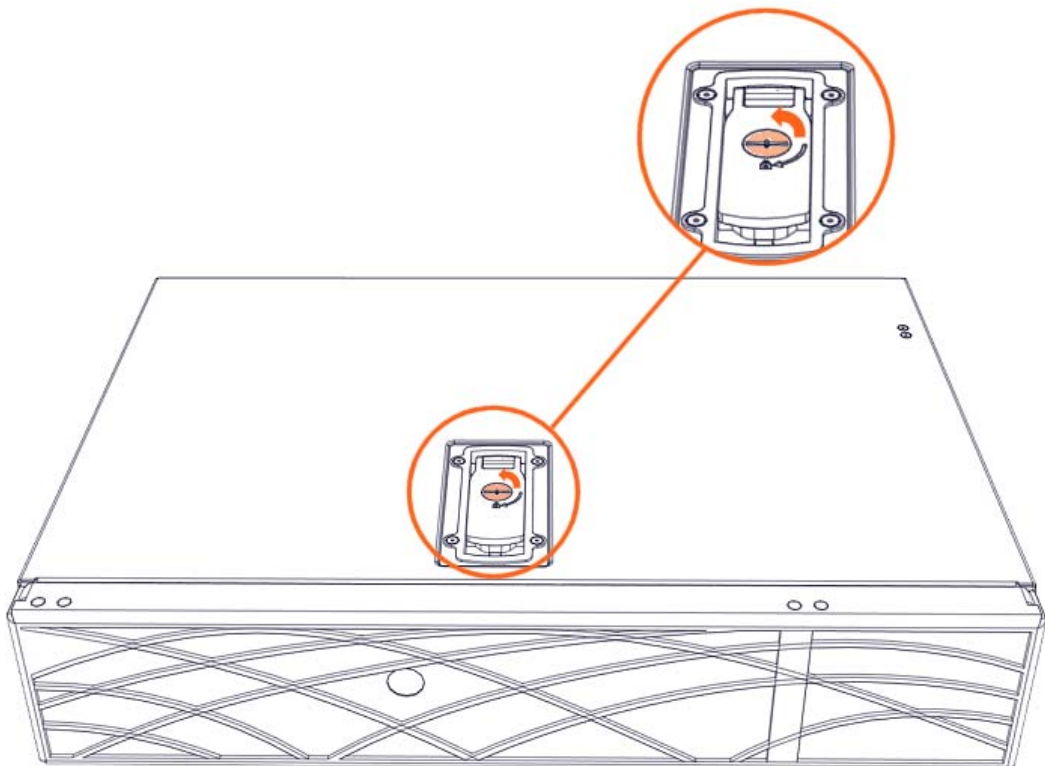
1. Rotate the external antennas to the horizontal position.

 **Side view**



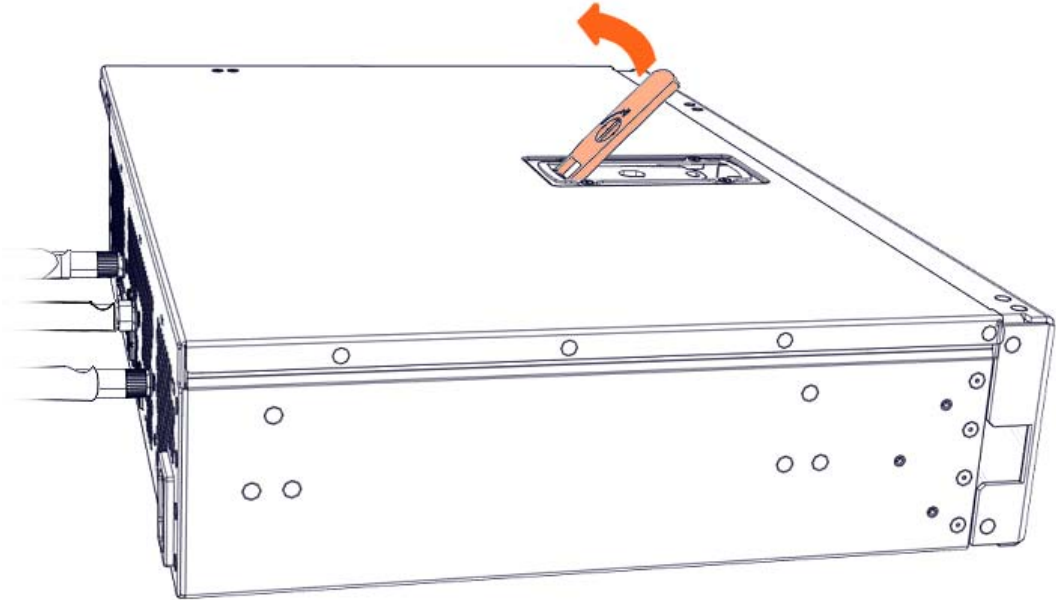
2. Unlock the cover latch.

 **Front view**



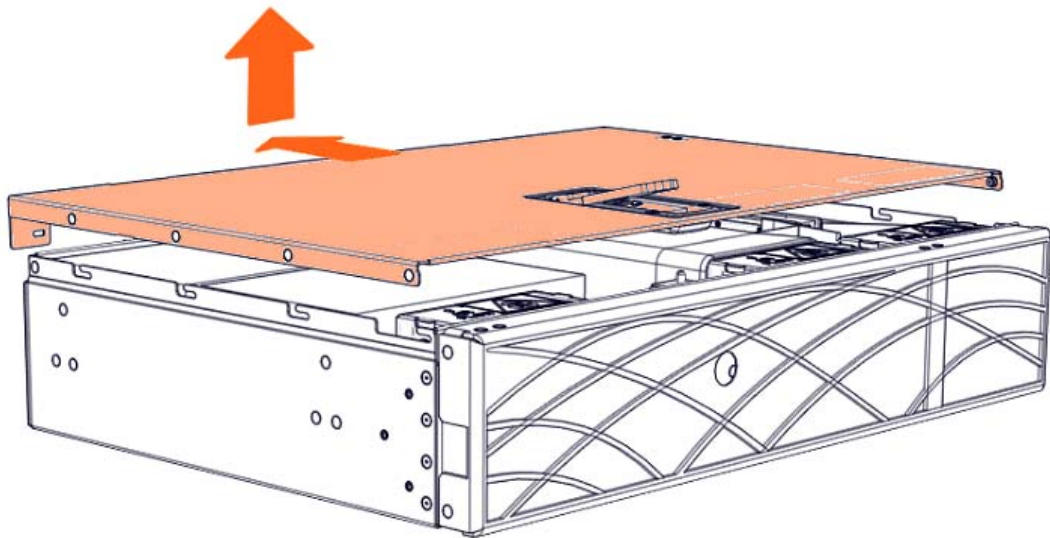
3. Pull the latch up.

 **Side view**



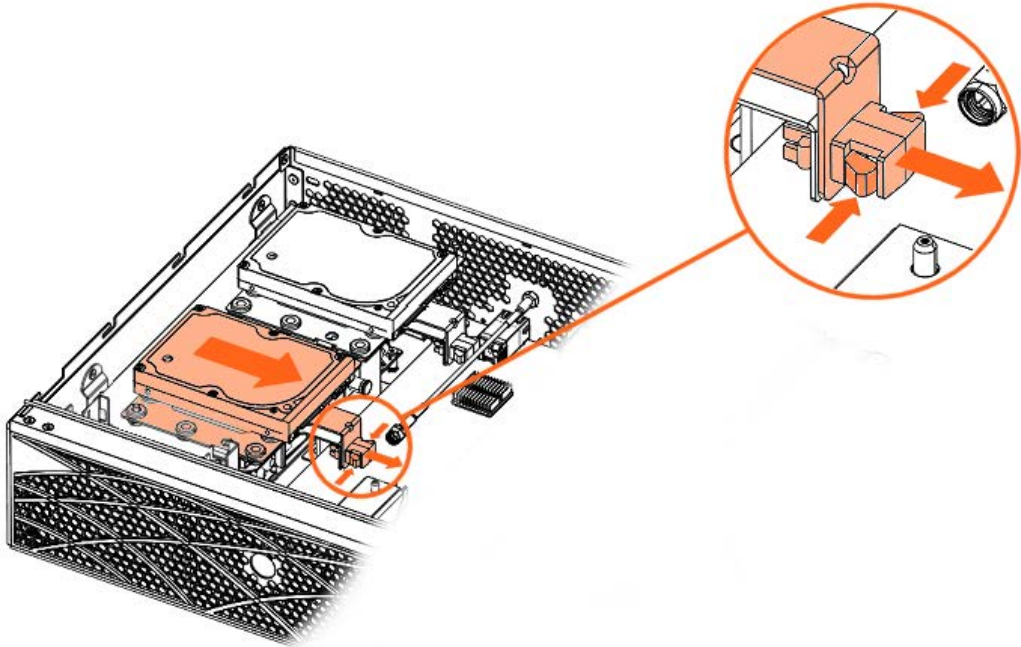
4. Remove the cover.

 **Front view**

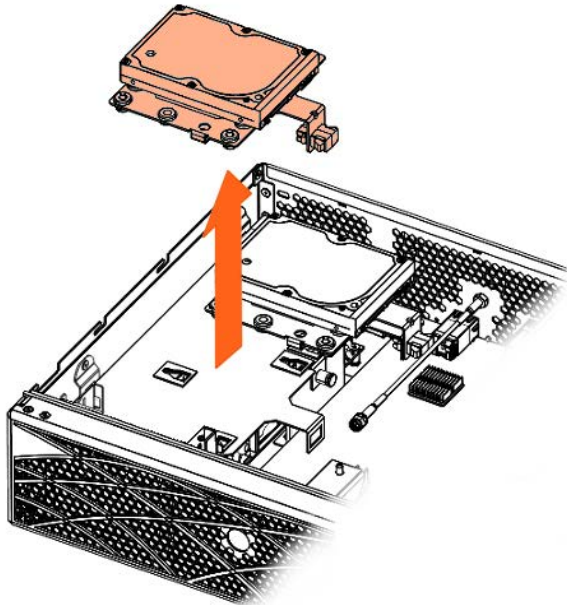


6. Remove the disk cage assembly

1. Disconnect the power and signal cables from the disk.
2. Push in the latches on either side of the disk cage assembly lock.
3. Pull on the lock and disk cage assembly to unlock the assembly.

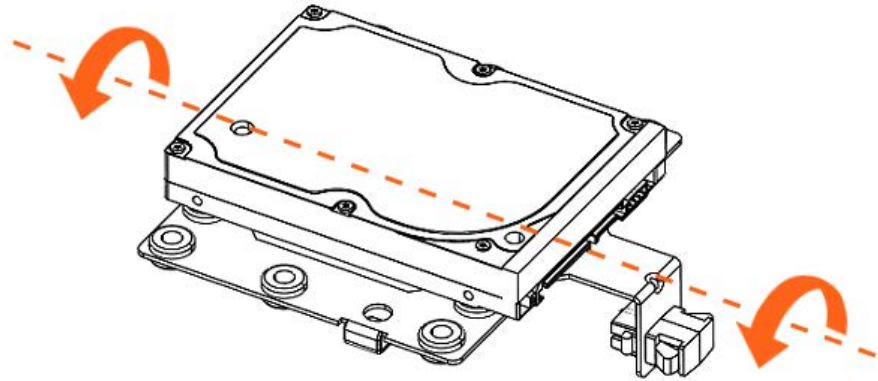


4. Pull the disk cage assembly out.

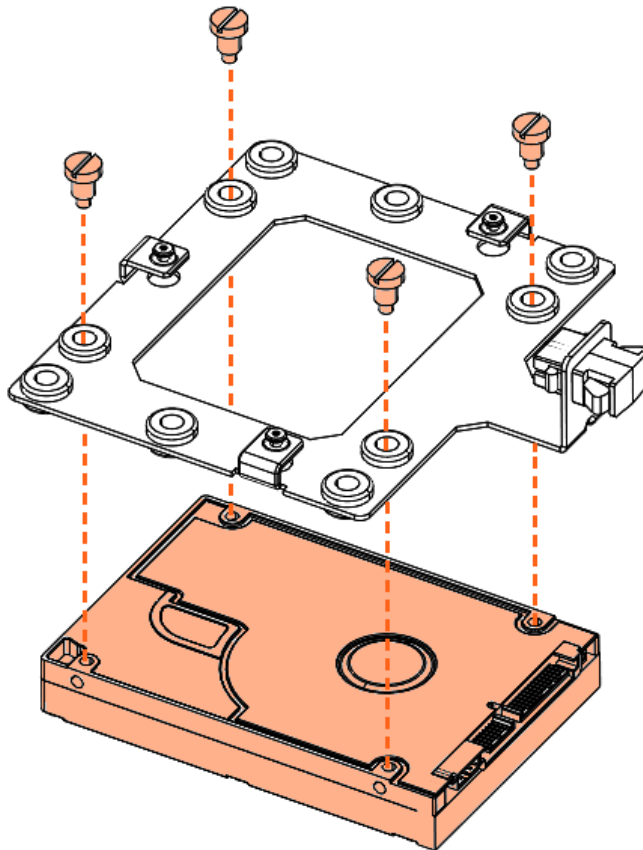


7. Remove the disk

1. Turn the disk cage assembly over.



2. Remove the screws.
3. Remove the disk.



6.2. Installing a 2.5" disk

Required Tools

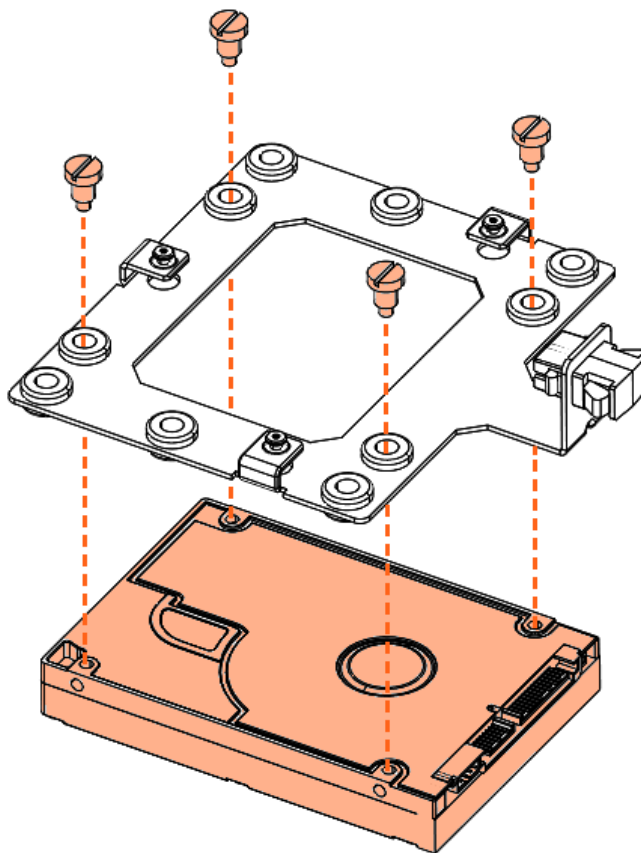
Flat screwdriver

Procedure

1. Take hold of the new component

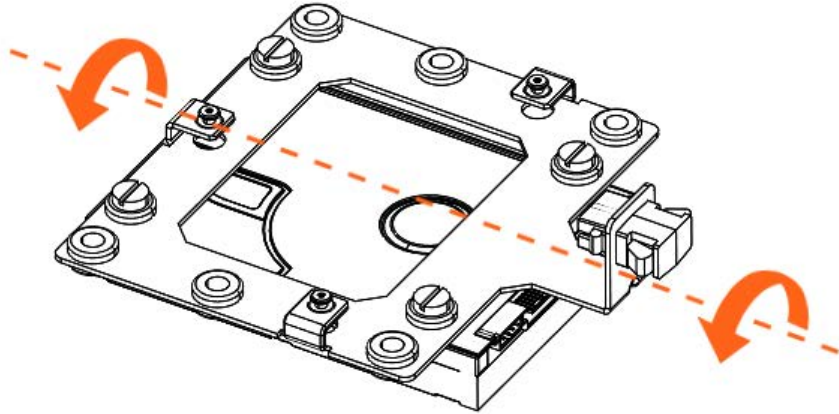
2. Install the disk

1. Position the disk cage on top of the disk.
2. Tighten the screws.

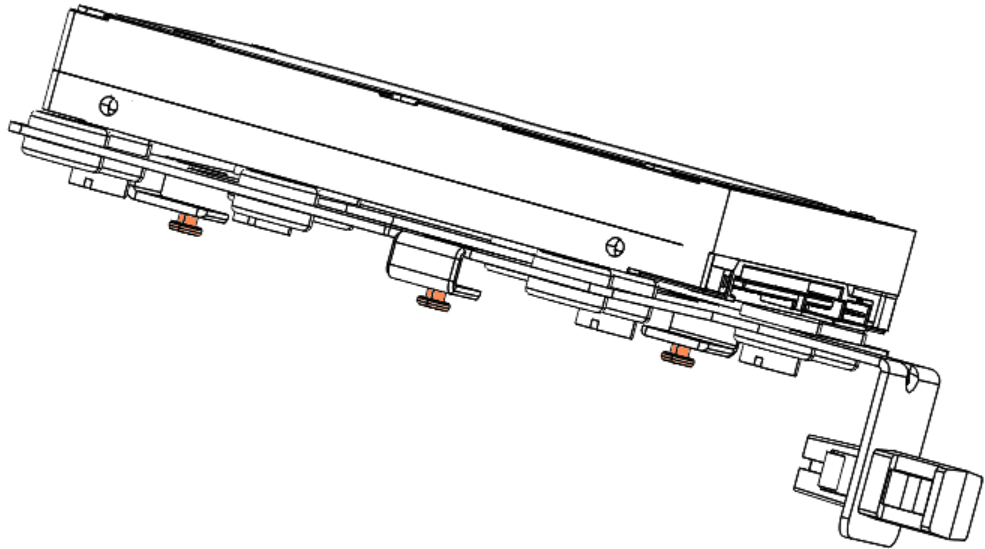


3. Install the disk cage assembly

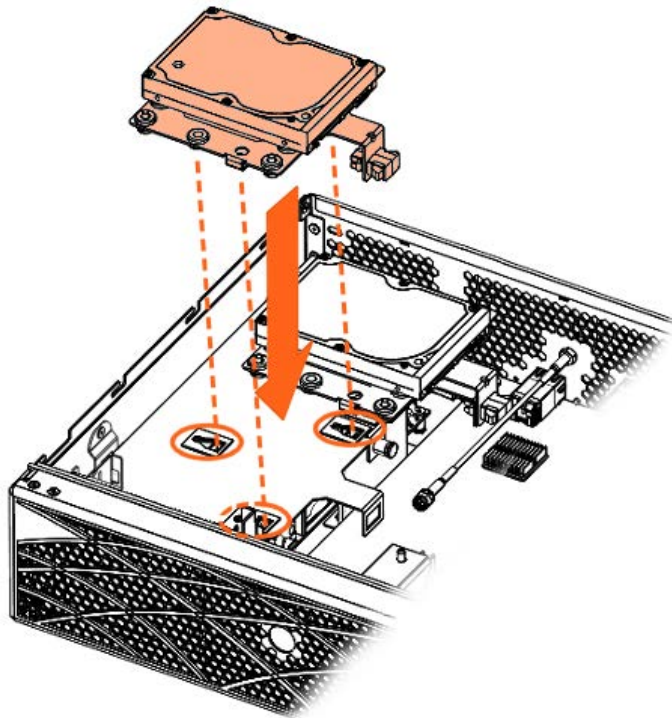
1. Turn the disk cage assembly over



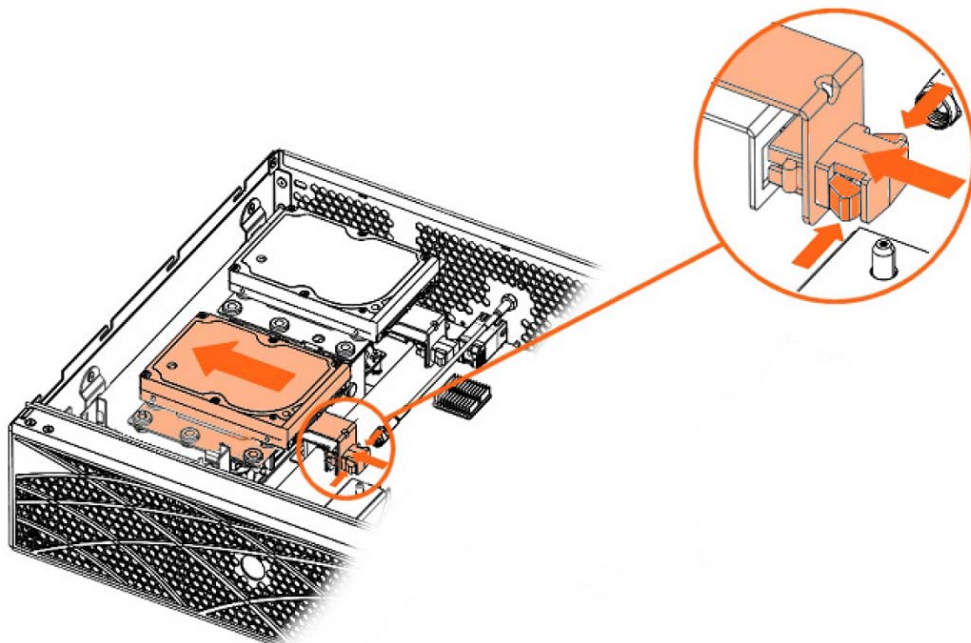
2. Locate the three guide pins



3. Put the disk cage assembly into place



4. Push in the latches on either side of the disk cage assembly lock.
5. Push the lock and disk cage assembly to secure the assembly into place.

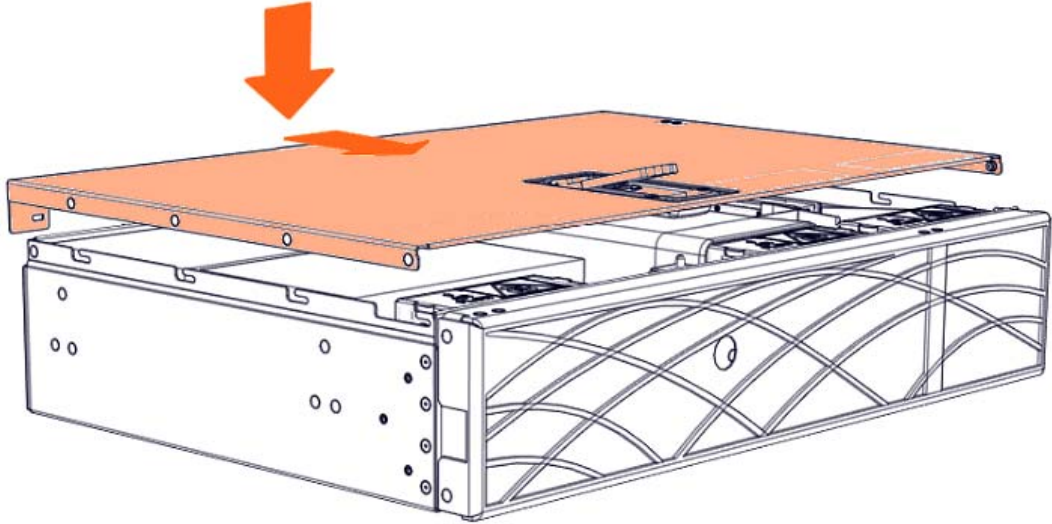


6. Connect the power and signal cables to the disk.

4. Install the cover

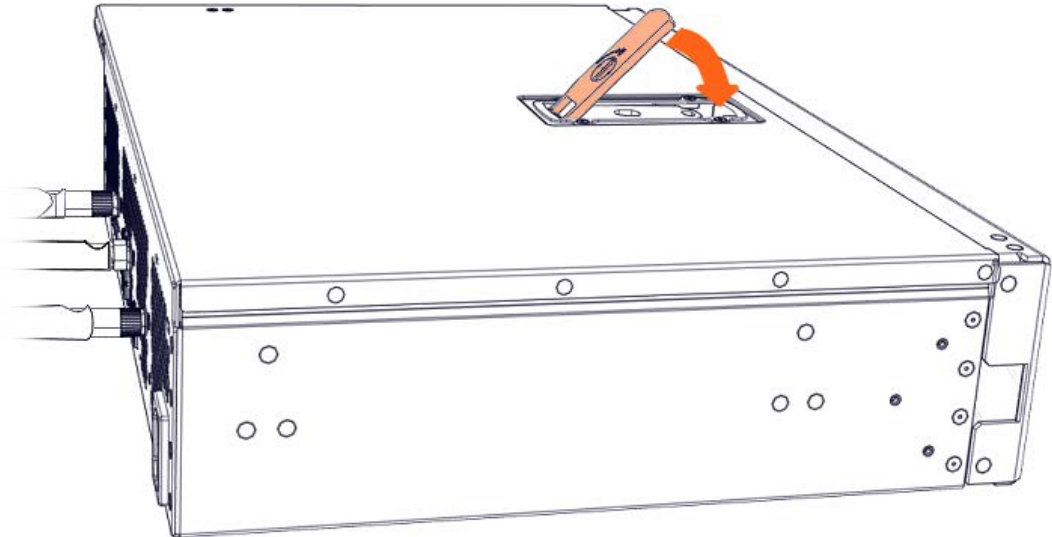
1. Put the cover into place.

 **Front view**



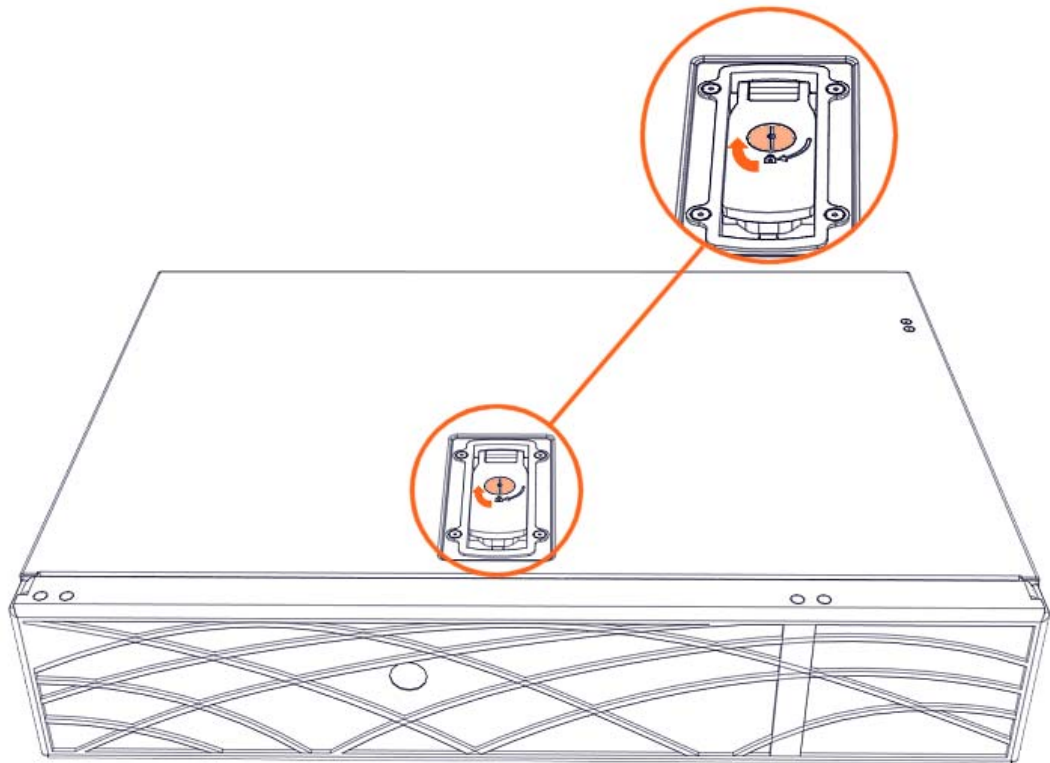
2. Close the latch.

 **Side view**



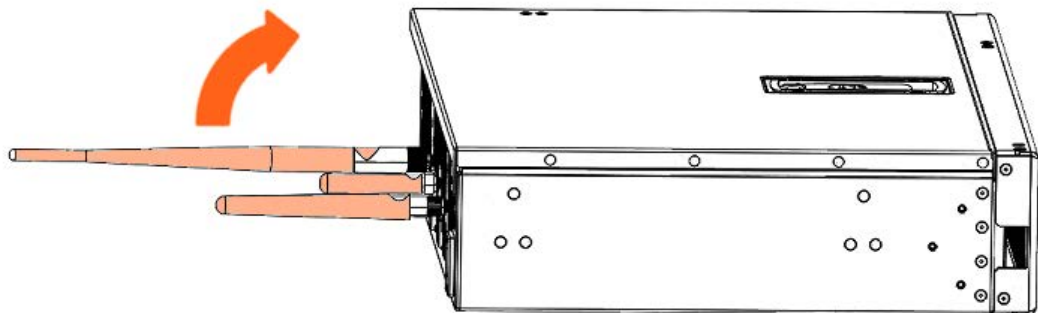
3. Lock the latch to secure the cover in place.

 **Front view**



4. Rotate the external antennas to the vertical position.

 **Side view**

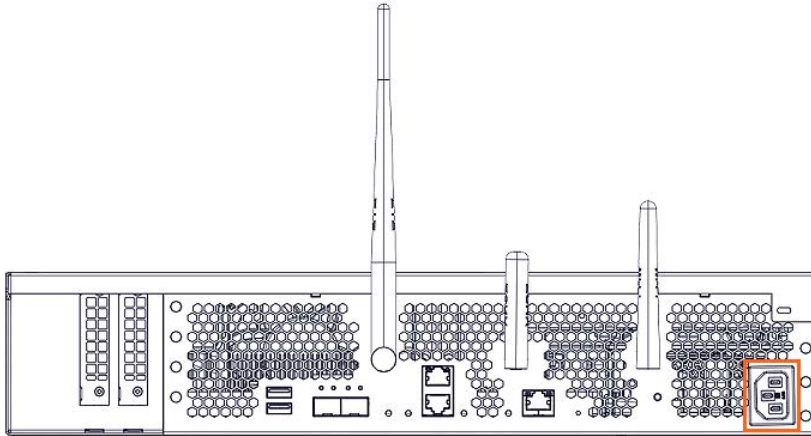


5. **Install the top aesthetic cover if aesthetic covers are present**

See [Appendix A Servicing the top aesthetic cover](#)

6. Connect the power supply cable

 Rear view



7. Power on the server

Chapter 7. Servicing a 3.5" disk

Important ATTENTION: Please read carefully the safety instructions before you perform the procedures described in this manual.

Multilingual Safety Notices Guide

C004  **CAUTION**

C004:

Static electricity can damage the server and other electronic devices. To avoid damage, keep static-sensitive devices in their static-protective packages until you are ready to install them.

To reduce the possibility of damage from electrostatic discharge, observe the following precautions:

Limit your movement. Movement can cause static electricity to build up around you.

Wear an electrostatic-discharge wrist strap.

Handle the device carefully, holding it by its edges or its frame.

Do not touch solder joints, pins, or exposed circuitry.

Do not leave the device where others can handle and damage it.

While the device is still in its static-protective package, touch it to an unpainted metal surface on the outside of the server for at least 2 seconds. This drains static electricity from the package and from your body.

Remove the device from its package and install it directly into the server without setting down the device. If it is necessary to set down the device, put it back into its static-protective package. Do not place the device on the server cover or on a metal surface.

Take additional care when you handle devices during cold weather.

Heating reduces indoor humidity and increases static electricity.

See BullSequana Edge Description Guide, 86 A1 65FR to locate the disk.

7.1. Removing a 3.5" disk

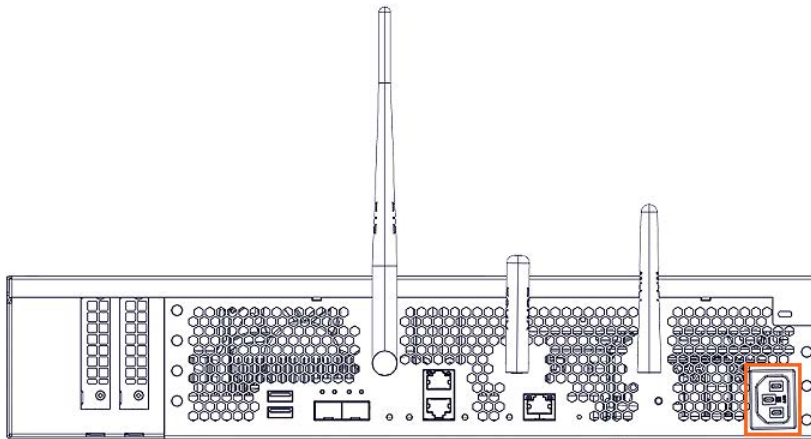
Required Tools

Phillips screwdriver

Procedure

1. **Unpack the new component on a clean ESD-protected work surface**
2. **Power off the server**
3. **Disconnect the power supply cable**

 **Rear view**



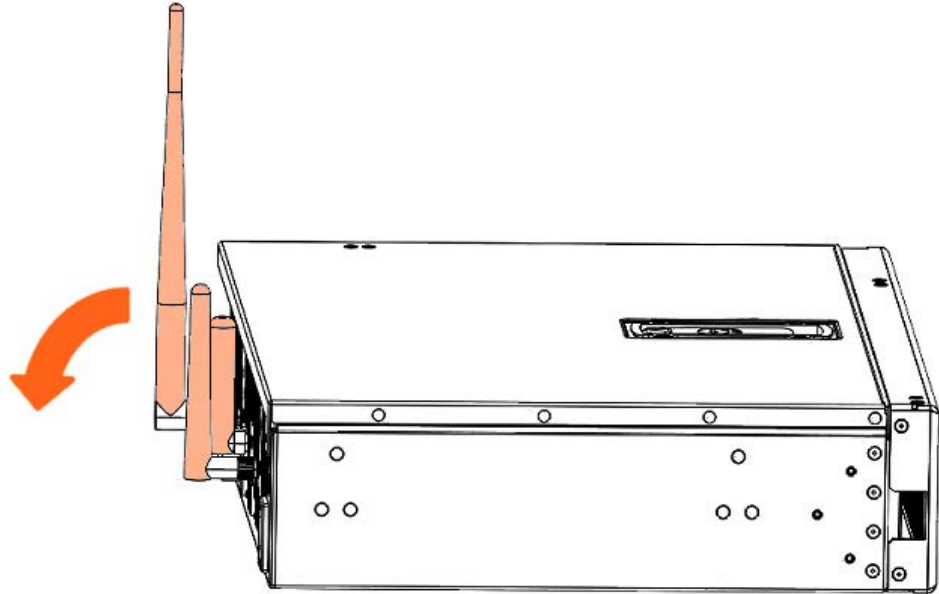
4. **Remove the top aesthetic cover if aesthetic covers are present**

See [Appendix A Servicing the top aesthetic cover](#)

5. Remove the cover

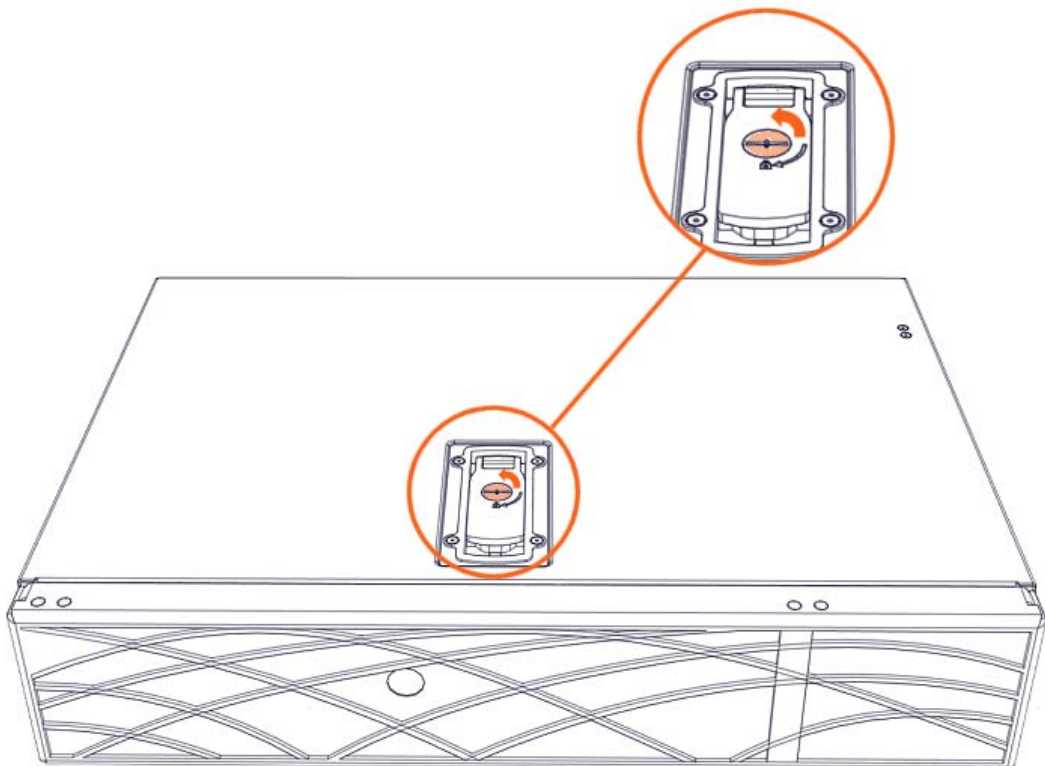
1. Rotate the external antennas to the horizontal position.

 **Side view**



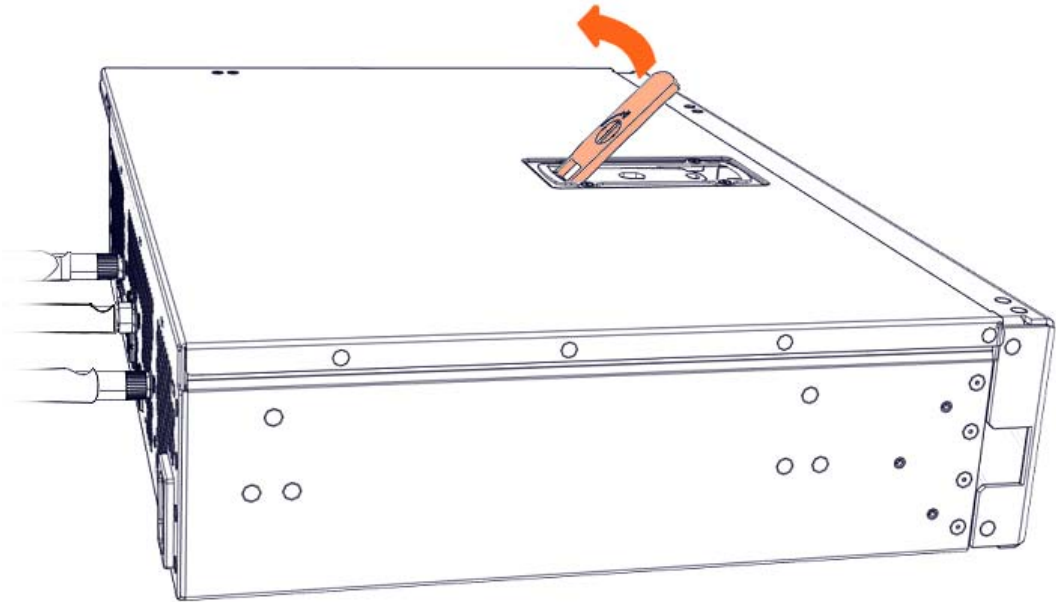
2. Unlock the cover latch.

 **Front view**



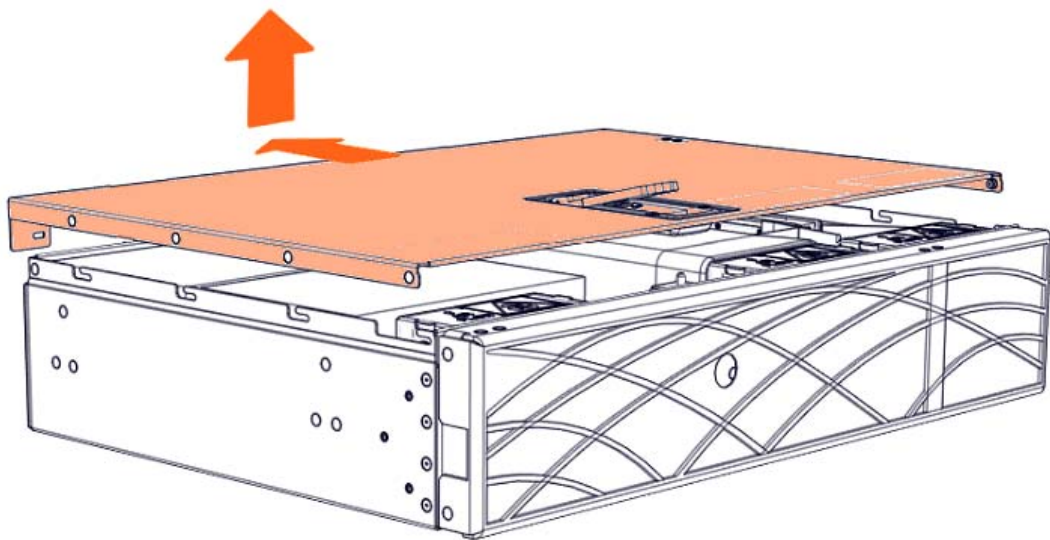
3. Pull the latch up.

 **Side view**



4. Remove the cover.

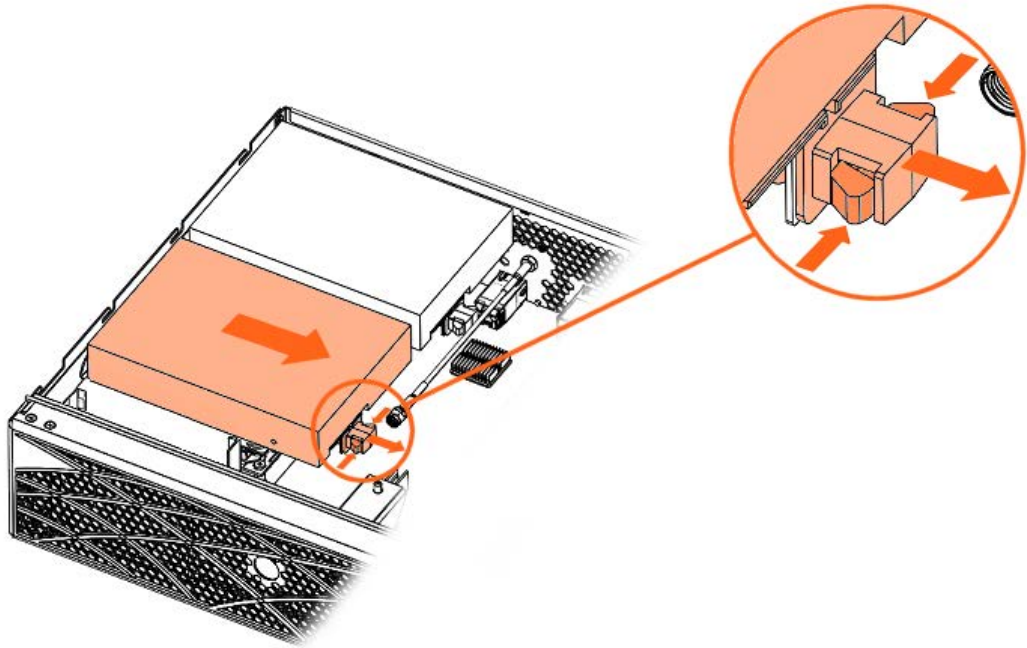
 **Front view**



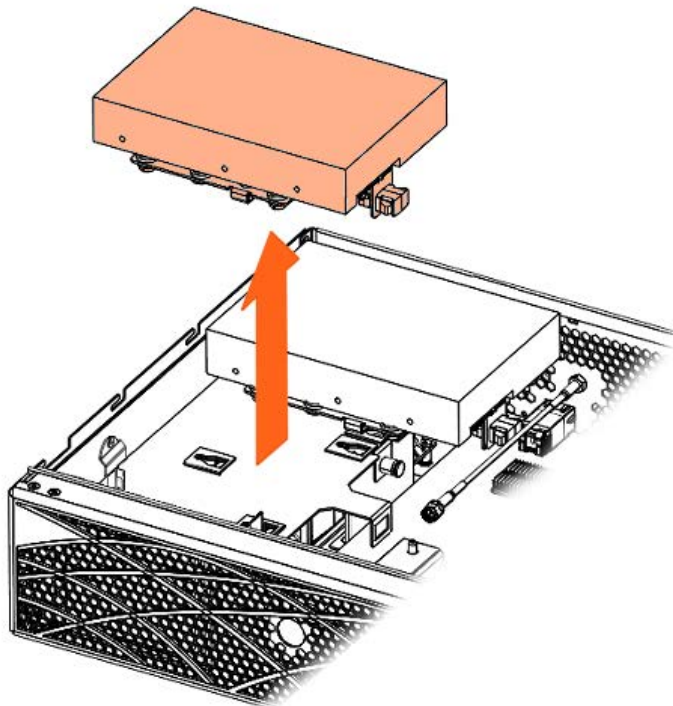
6. Remove the disk cage assembly

1. Disconnect the power and signal cables from the disk.
2. Push in the latches on either side of the disk cage assembly lock.

3. Pull on the lock and disk cage assembly to unlock the assembly.

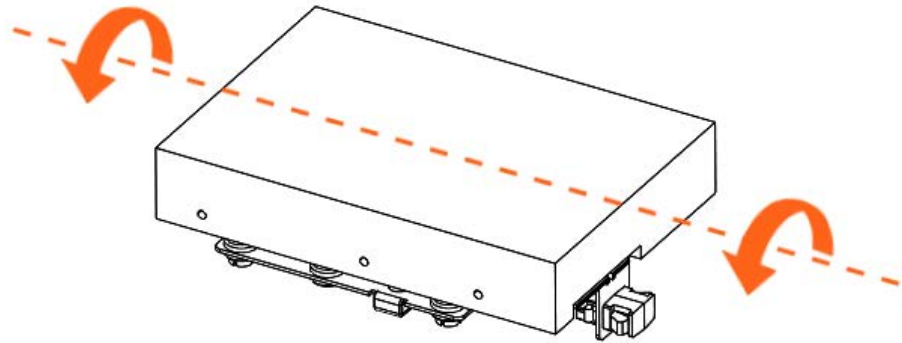


4. Pull the disk cage assembly out.

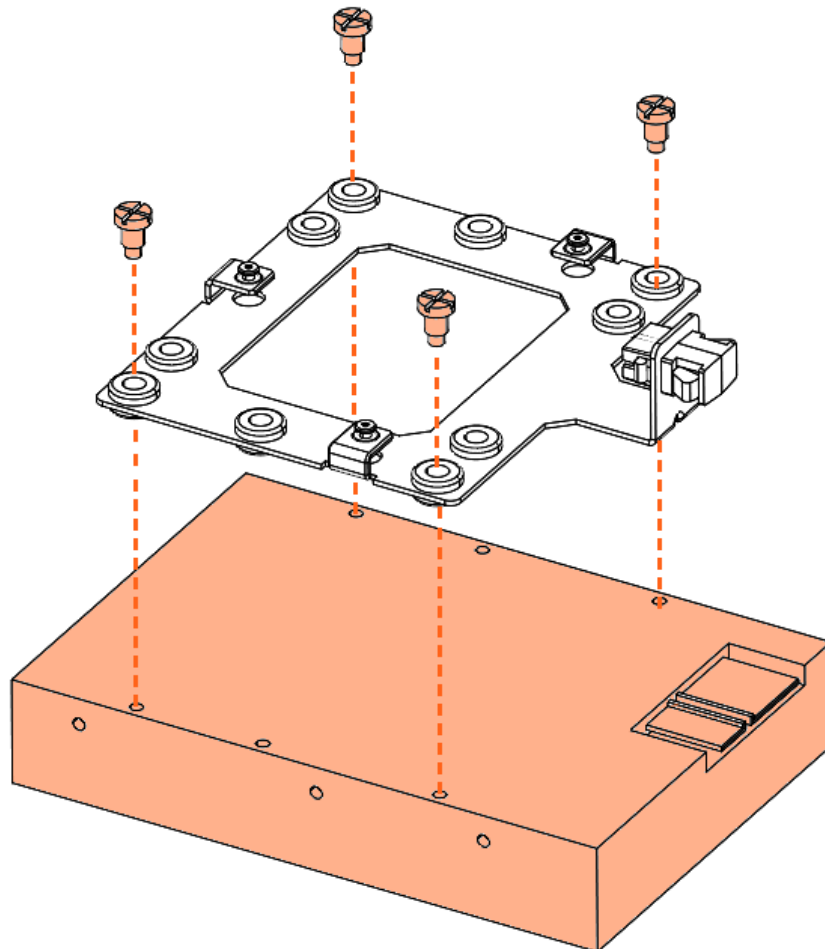


7. Remove the disk

1. Turn the disk cage assembly over.



2. Remove the screws.
3. Remove the disk.



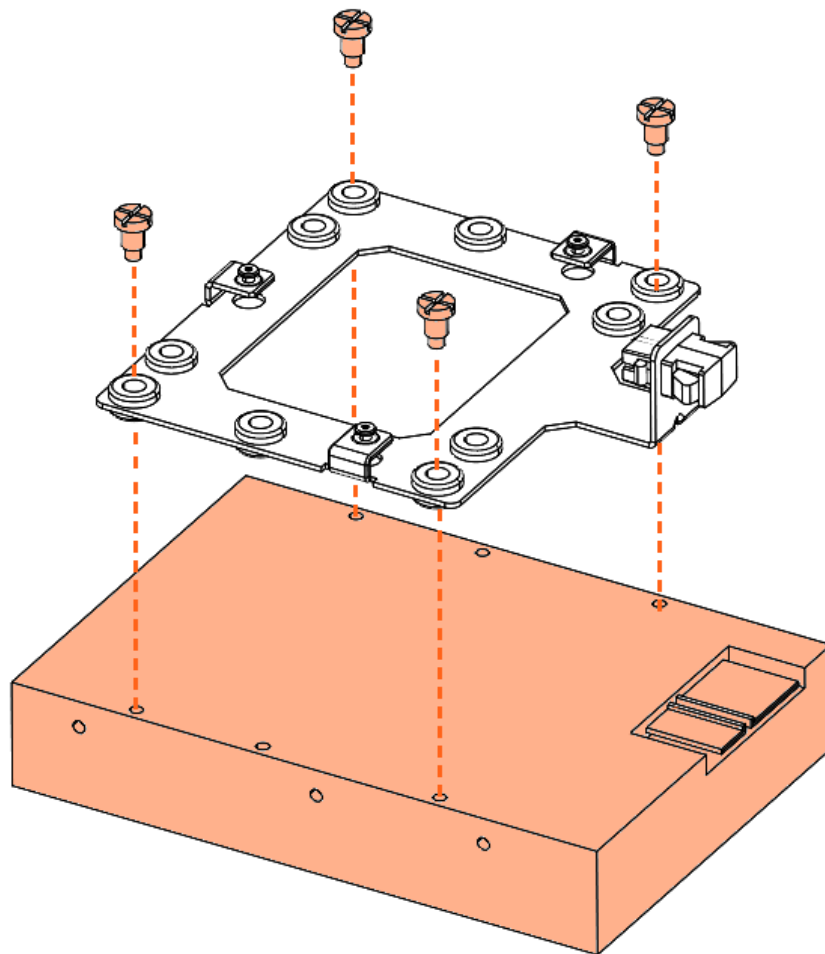
7.2. Installing a 3.5" disk

Required Tools

Phillips screwdriver

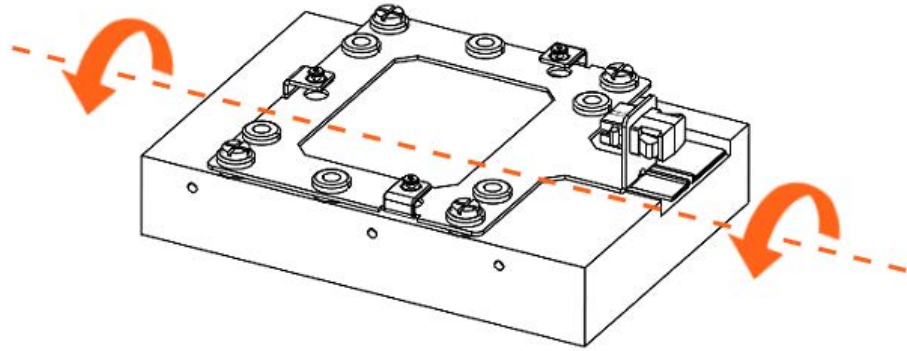
Procedure

- 1. Take hold of the new component**
- 2. Install the disk**
 1. Position the disk cage on top of the disk.
 2. Tighten the screws.

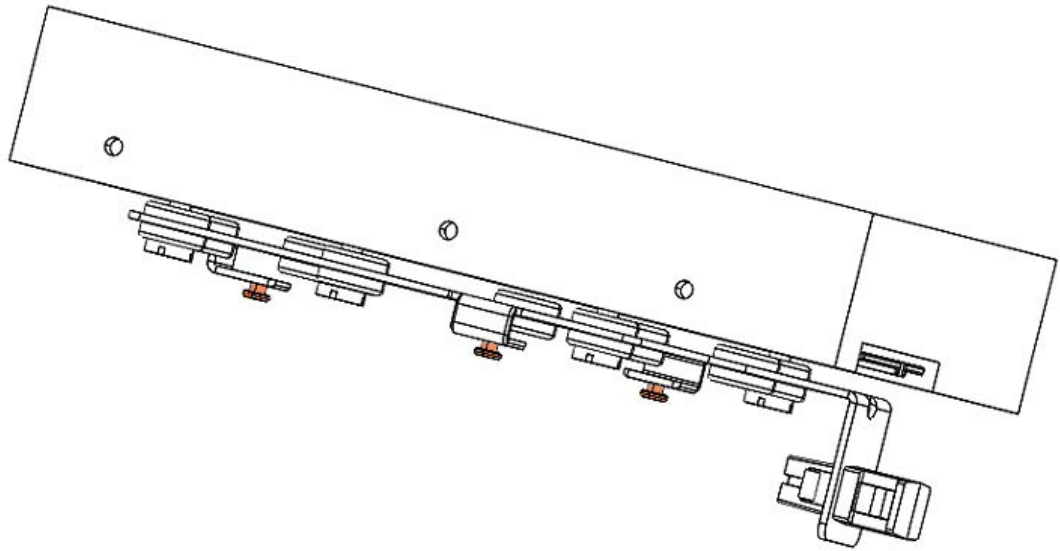


3. Install the disk cage assembly

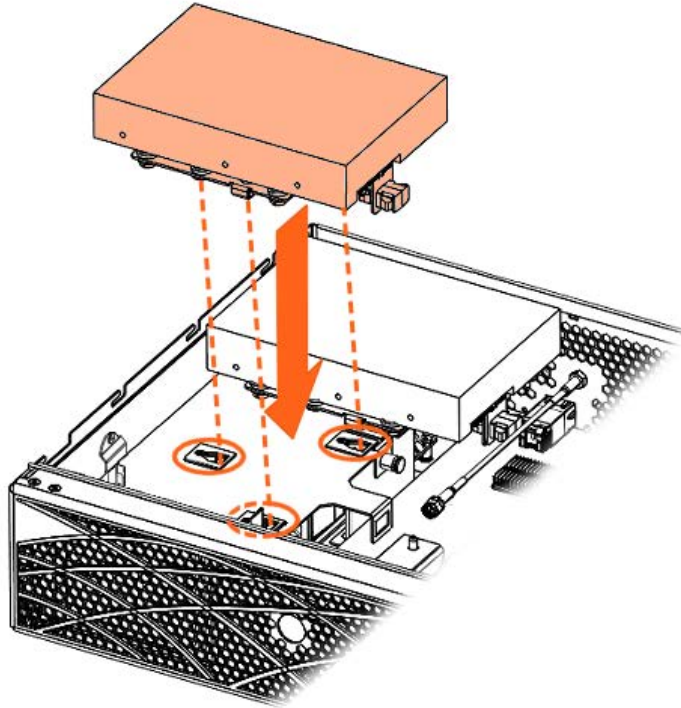
1. Turn the disk cage assembly over



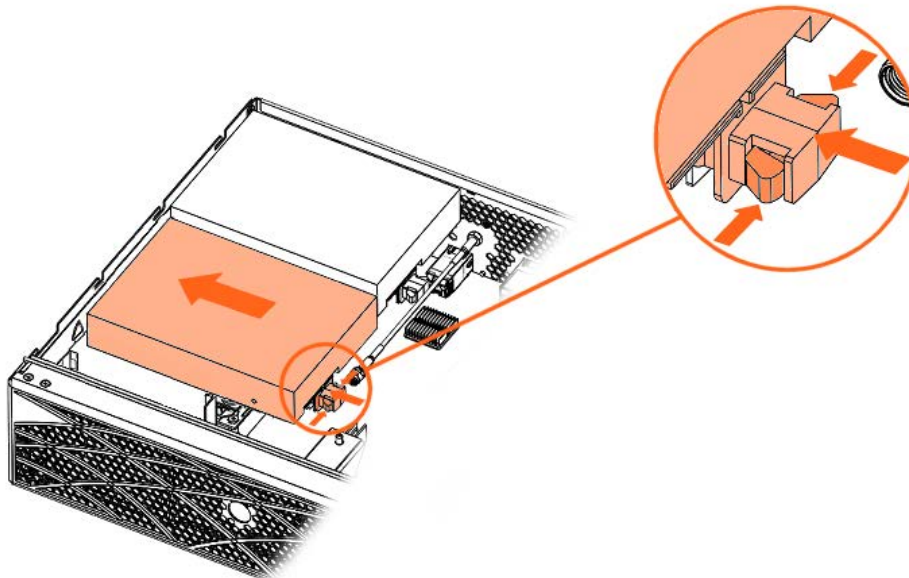
2. Locate the three guide pins



- Put the disk cage assembly into place



- Push in the latches on either side of the disk cage assembly lock.
- Push the lock and disk cage assembly to secure the assembly into place.

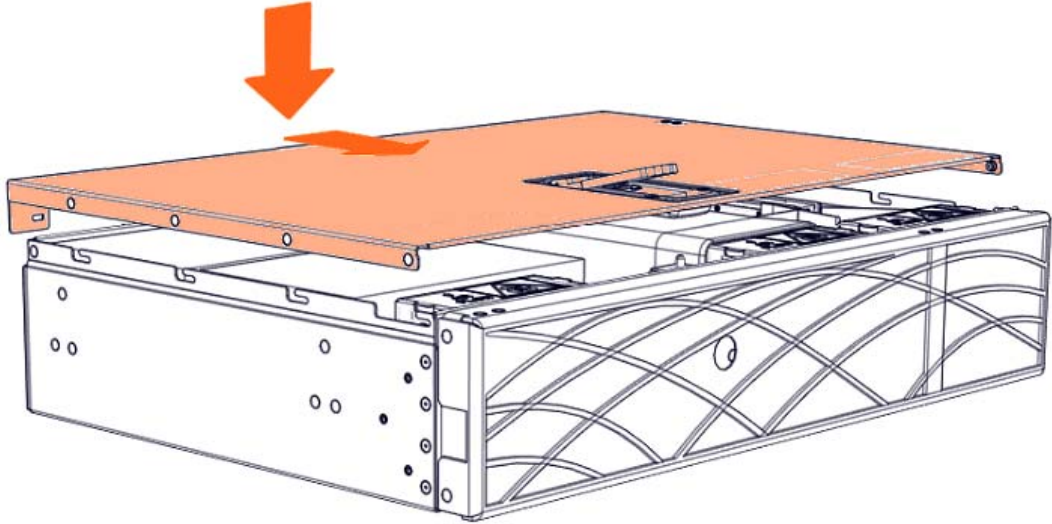


- Connect the power and signal cables to the disk.

4. Install the cover

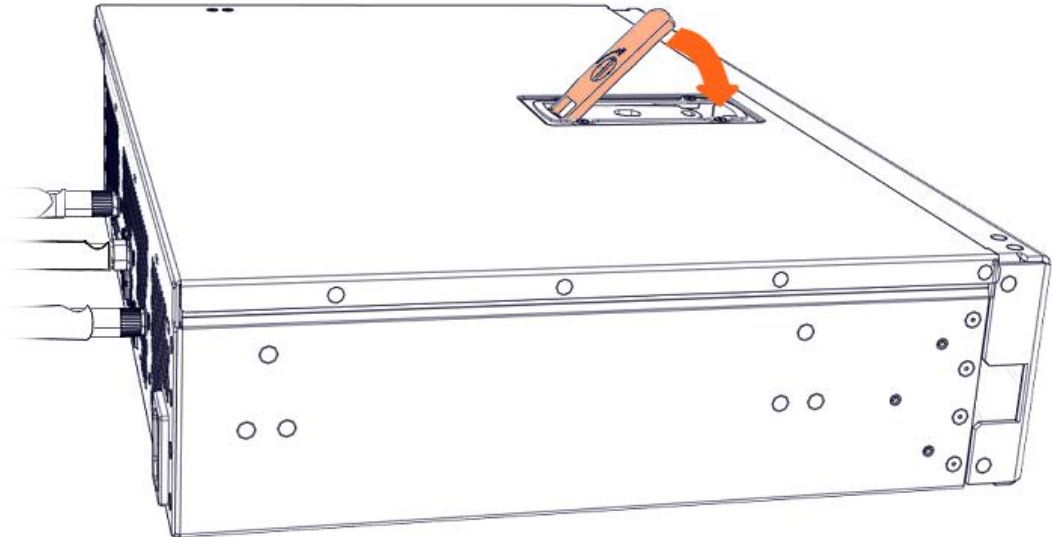
1. Put the cover into place.

 **Front view**



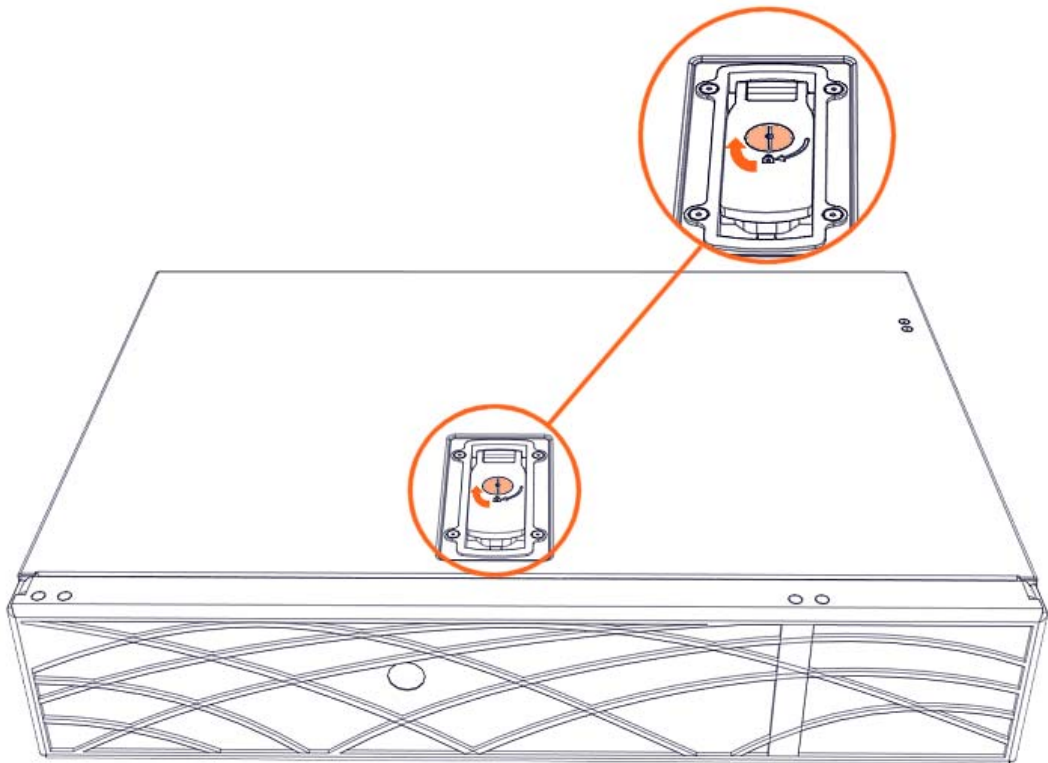
2. Close the latch.

 **Side view**



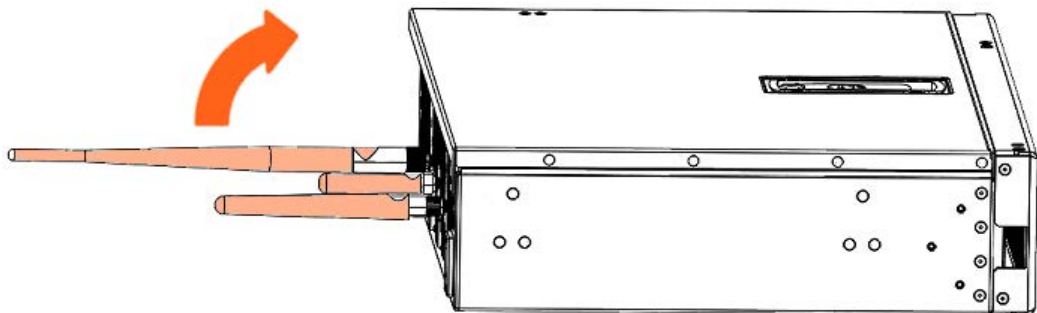
3. Lock the latch to secure the cover in place.

 **Front view**



4. Rotate the external antennas to the vertical position.

 **Side view**

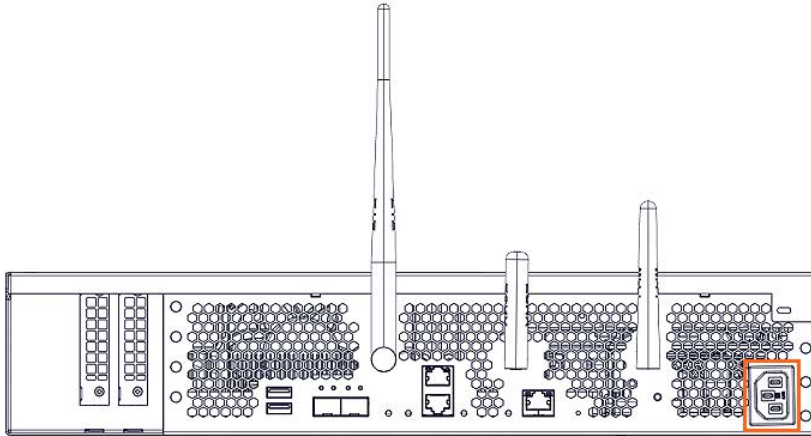


5. Install the top aesthetic cover if aesthetic covers are present

See [Appendix A Servicing the top aesthetic cover](#)

6. Connect the power supply cable

 Rear view



7. Power on the server

Chapter 8. Servicing an intrusion detection switch

Important ATTENTION: Please read carefully the safety instructions before you perform the procedures described in this manual.

Multilingual Safety Notices Guide

C004  **CAUTION**

C004:

Static electricity can damage the server and other electronic devices. To avoid damage, keep static-sensitive devices in their static-protective packages until you are ready to install them.

To reduce the possibility of damage from electrostatic discharge, observe the following precautions:

Limit your movement. Movement can cause static electricity to build up around you.

Wear an electrostatic-discharge wrist strap.

Handle the device carefully, holding it by its edges or its frame.

Do not touch solder joints, pins, or exposed circuitry.

Do not leave the device where others can handle and damage it.

While the device is still in its static-protective package, touch it to an unpainted metal surface on the outside of the server for at least 2 seconds. This drains static electricity from the package and from your body.

Remove the device from its package and install it directly into the server without setting down the device. If it is necessary to set down the device, put it back into its static-protective package. Do not place the device on the server cover or on a metal surface.

Take additional care when you handle devices during cold weather.

Heating reduces indoor humidity and increases static electricity.

See BullSequana Edge Description Guide, 86 A1 65FR to locate the intrusion detection switch.

8.1. Removing an intrusion detection switch

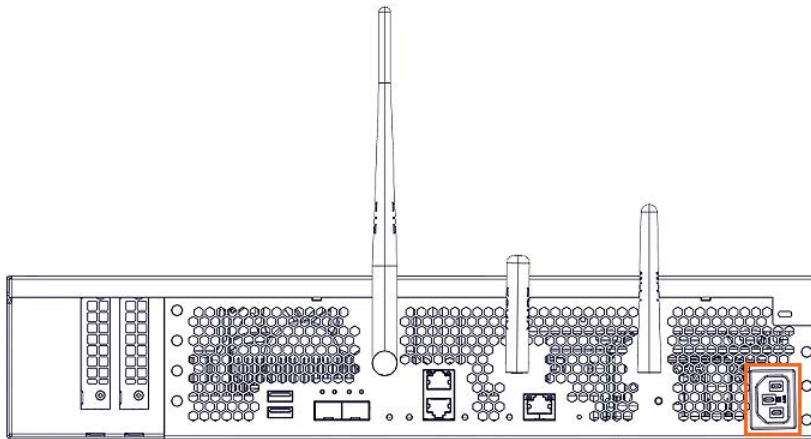
Required Tools

T10 Torx screwdriver

Procedure

1. **Unpack the new component on a clean ESD-protected work surface**
2. **Power off the server**
3. **Disconnect the power supply cable**

 **Rear view**



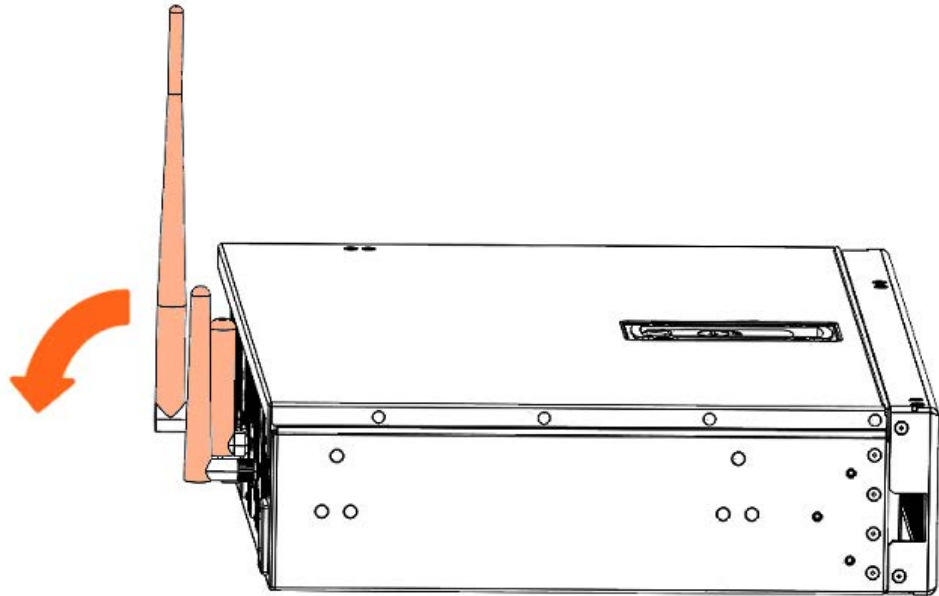
4. **Remove the top aesthetic cover if aesthetic covers are present**

See [Appendix A Servicing the top aesthetic cover](#)

5. Remove the cover

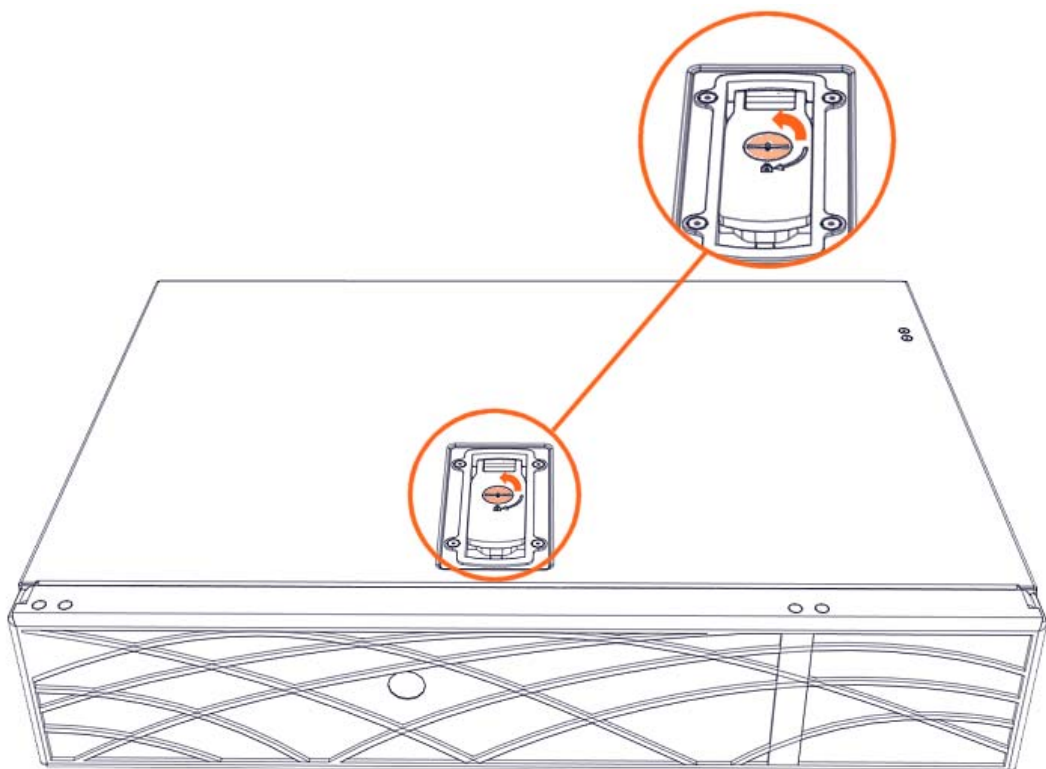
1. Rotate the external antennas to the horizontal position.

 **Side view**



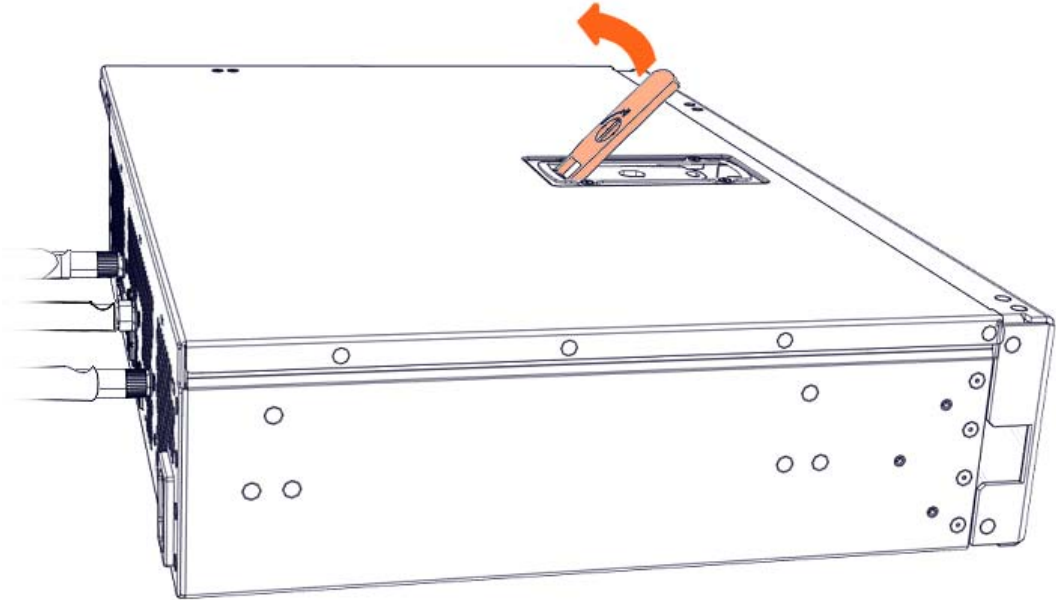
2. Unlock the cover latch.

 **Front view**



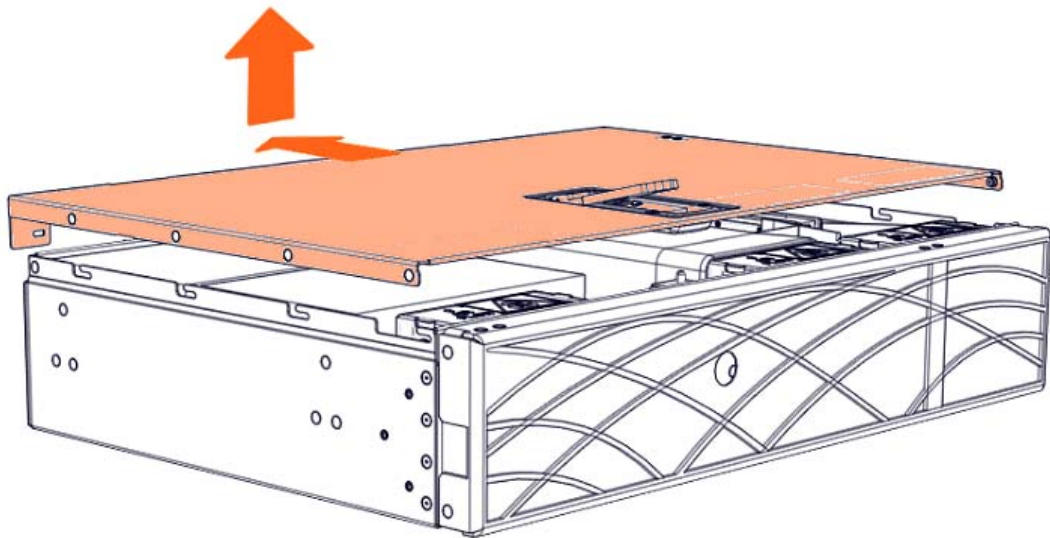
3. Pull the latch up.

 **Side view**



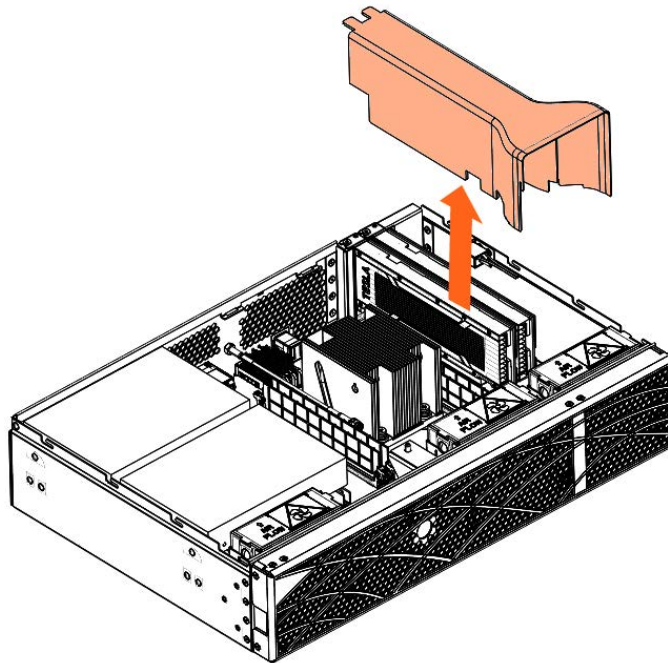
4. Remove the cover.

 **Front view**



6. Remove the accelerator air duct if present

 **Front view**

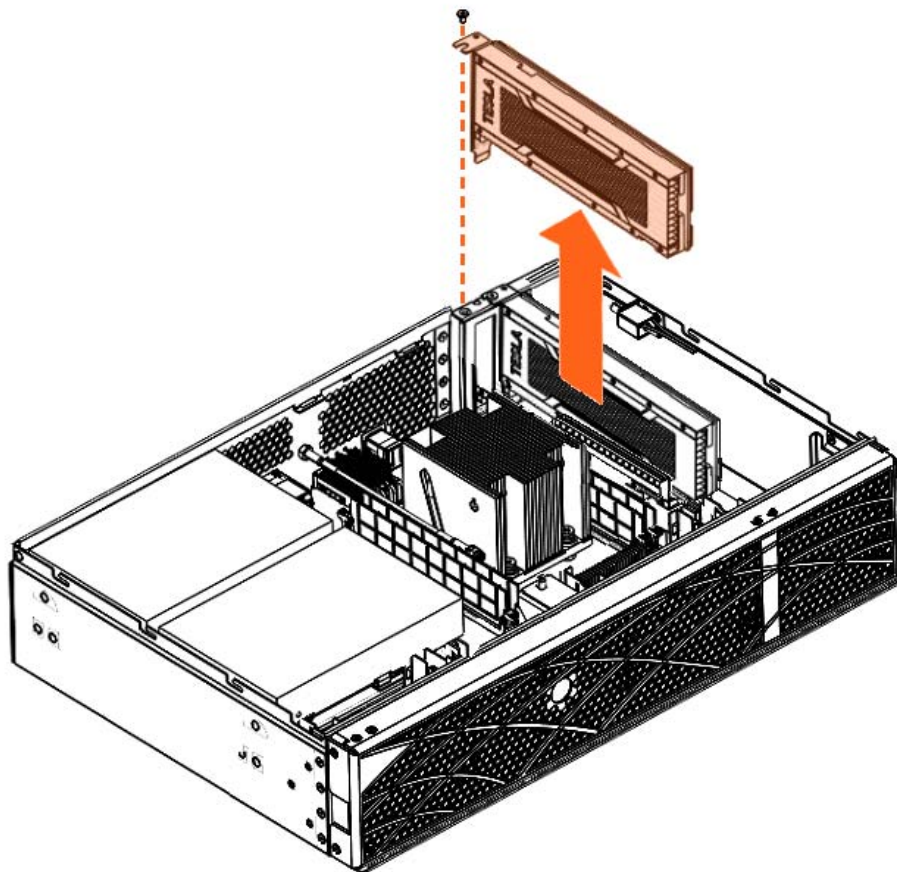


7. Remove the accelerators

For each accelerator, perform the following steps:

1. Remove the screw.
2. Pull the accelerator out.

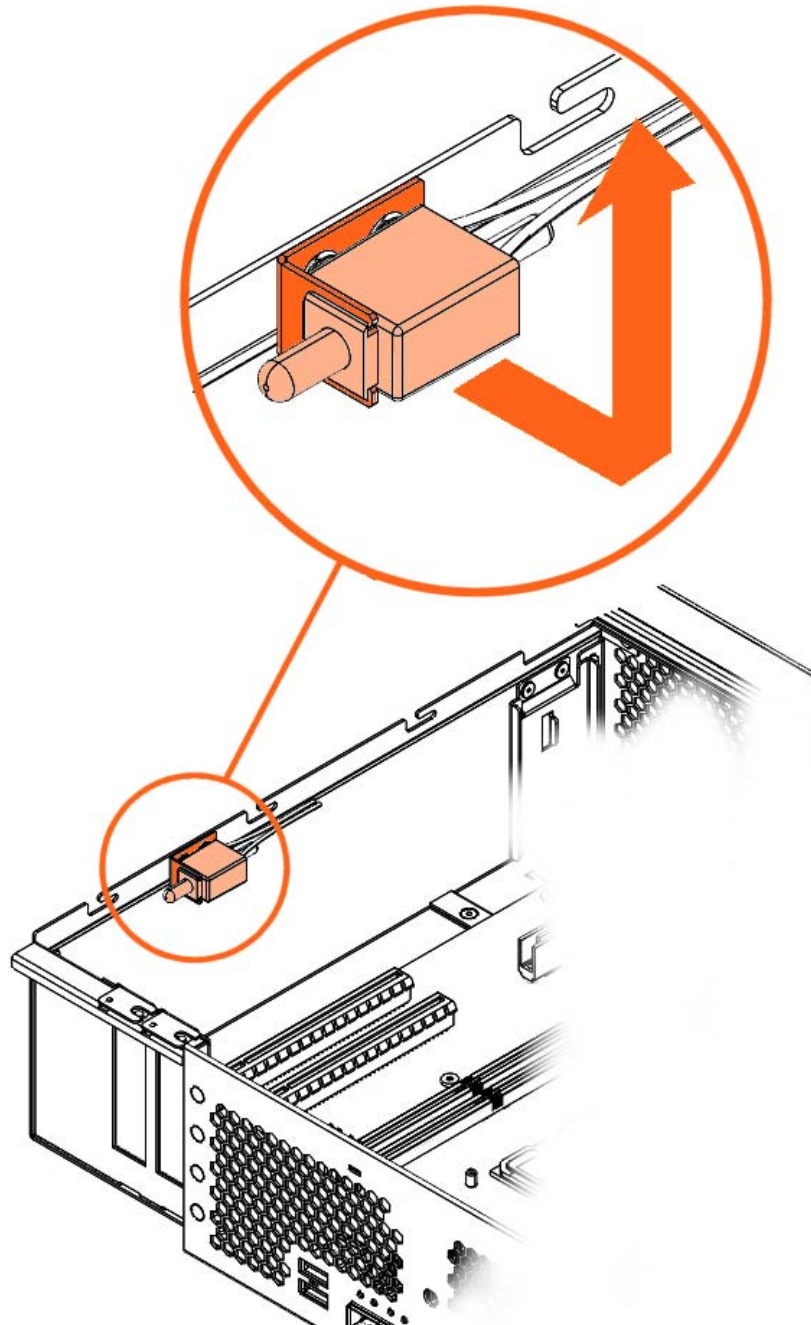
 **Front view**



8. Remove the intrusion detection switch and cable

1. Disconnect the intrusion detection switch cable from the motherboard.
2. Unclip the intrusion detection switch from the bracket and move out and up.

 **Rear view**



8.2. Installing an intrusion detection switch

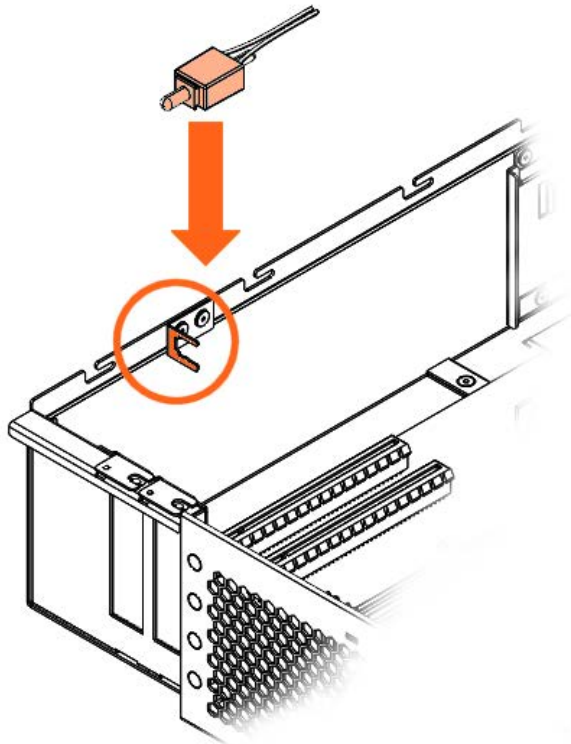
Required Tools

T10 Torx screwdriver

Procedure

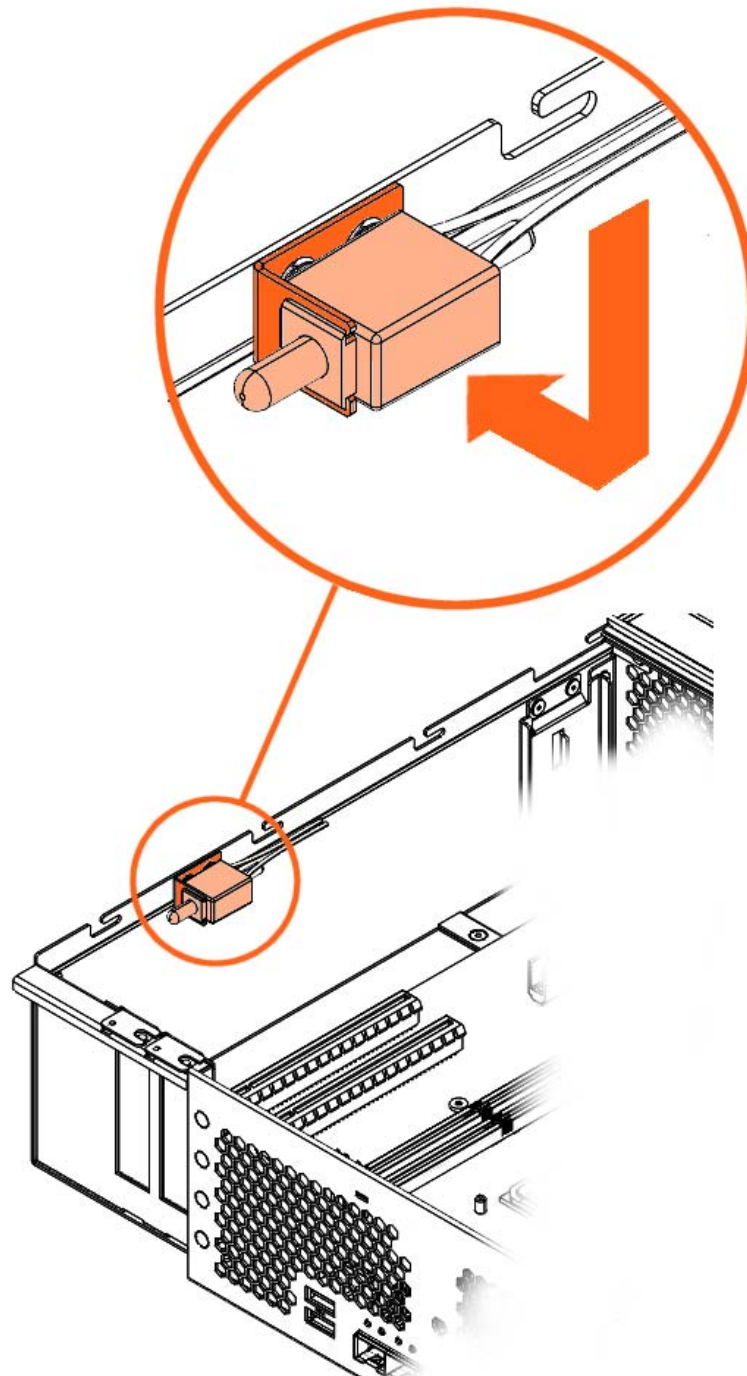
1. Take hold of the new component
2. Install the intrusion detection switch and cable
 1. Move the intrusion detection switch down to the bracket

 Rear view



2. Clip the intrusion detection switch into the bracket.

 **Rear view**



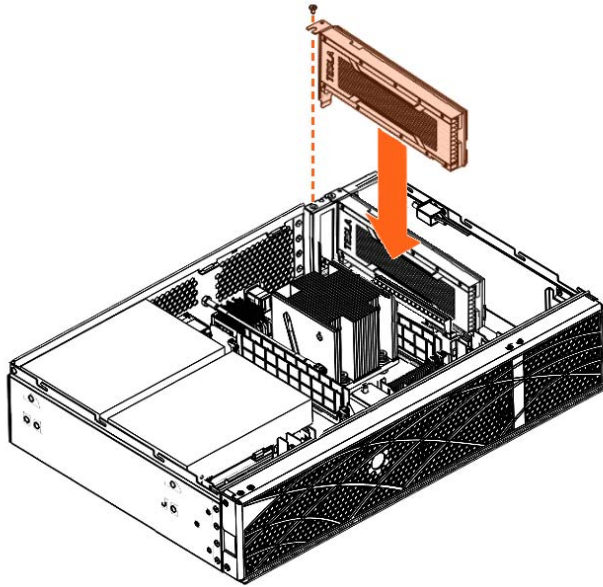
3. Connect the intrusion detection switch cable to the motherboard.

3. Install the accelerators

For each accelerator, perform the following steps:

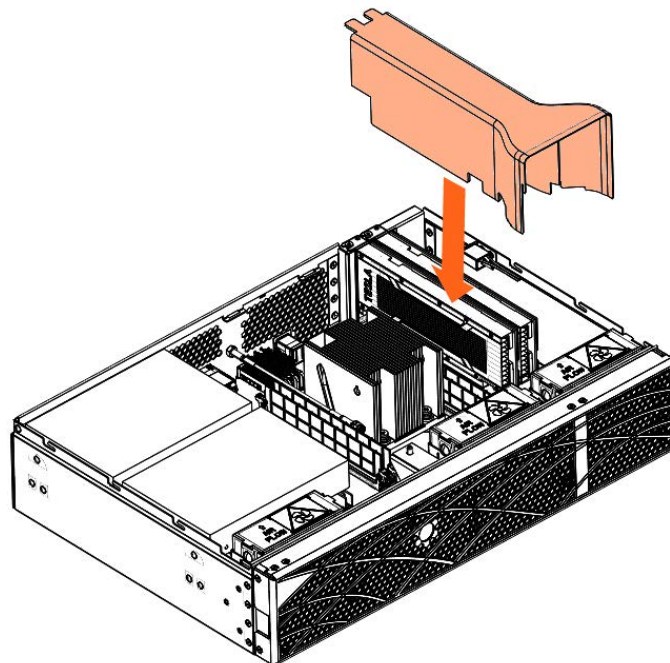
1. Position the accelerator.
2. Tighten the screw.

 **Top view**



4. Install the accelerator air duct if present

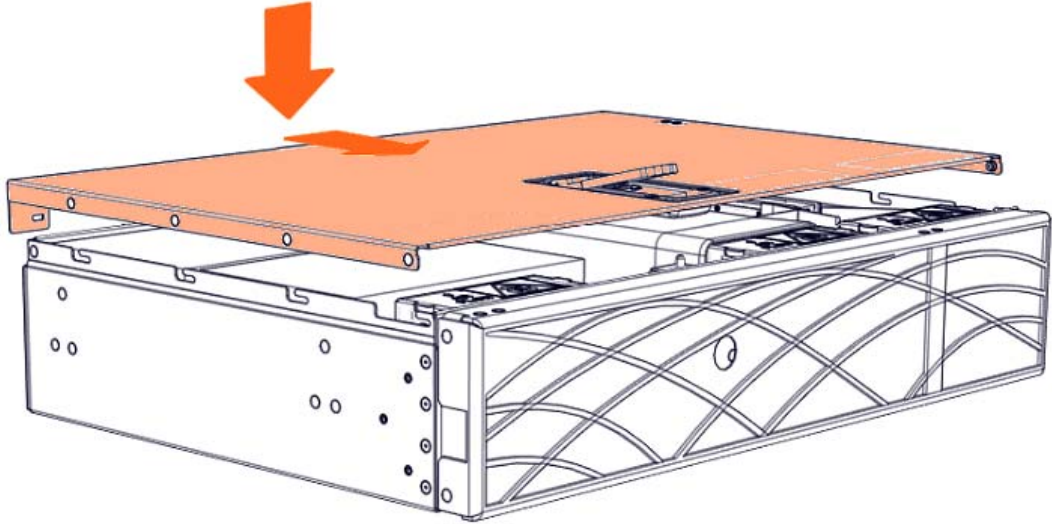
 **Front view**



5. Install the cover

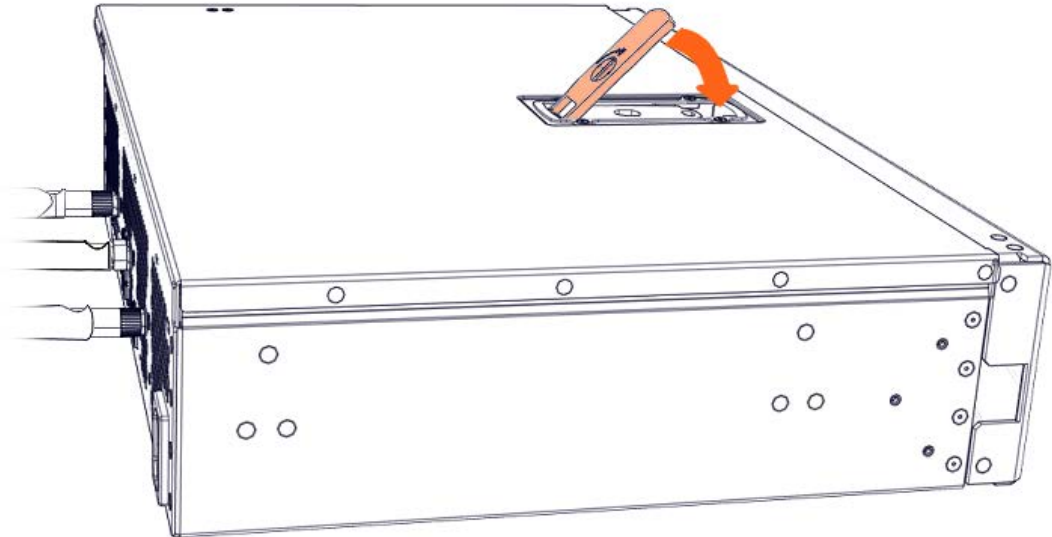
1. Put the cover into place.

 **Front view**



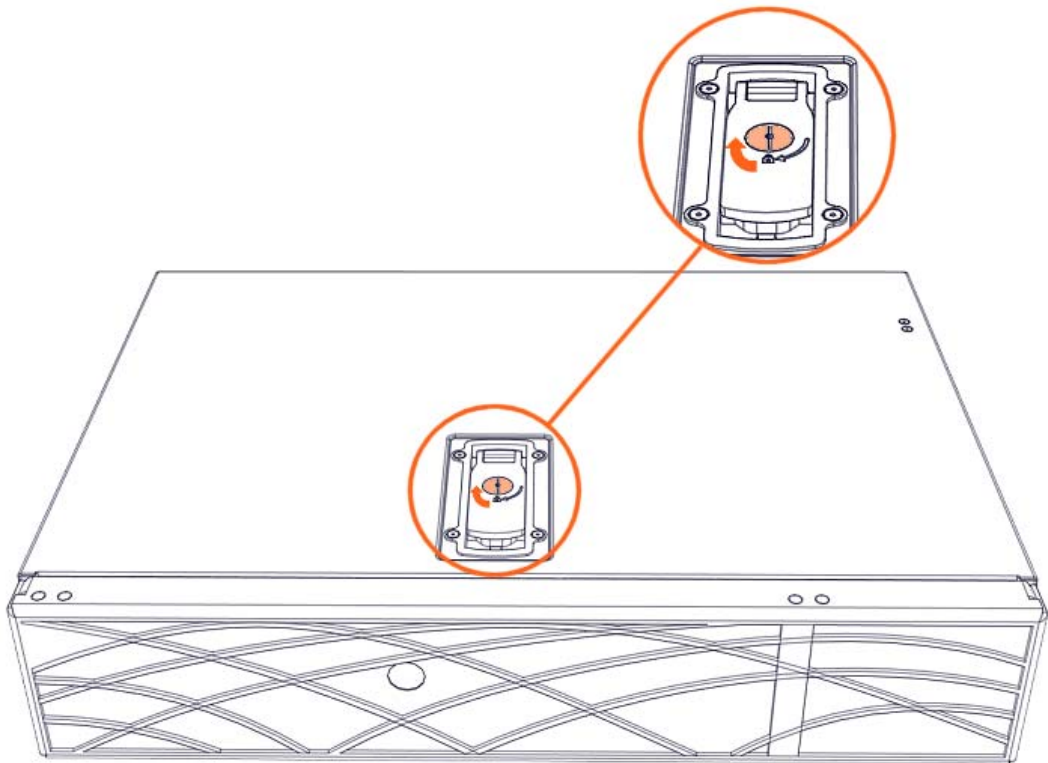
2. Close the latch.

 **Side view**



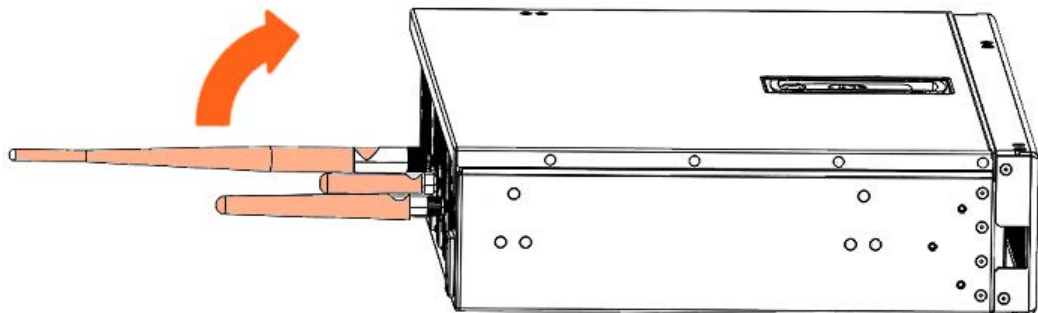
3. Lock the latch to secure the cover in place.

 **Front view**



4. Rotate the external antennas to the vertical position.

 **Side view**

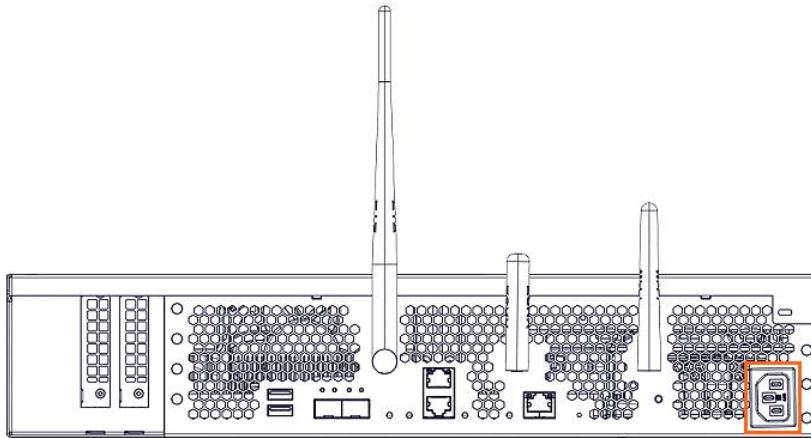


6. Install the top aesthetic cover if aesthetic covers are present

See [Appendix A Servicing the top aesthetic cover](#)

7. Connect the power supply cable

 Rear view



8. Power on the server

Chapter 9. Firmware maintenance tasks

9.1. Recovering the BMC

This section describes how to recover the main functional BMC via the BMC backup firmware.

Prerequisites

- A laptop is IP connected to the server SHC
- Chrome or Firefox are used to make the connection from the laptop
- Connection to the BullSequana Edge server as root

Procedure

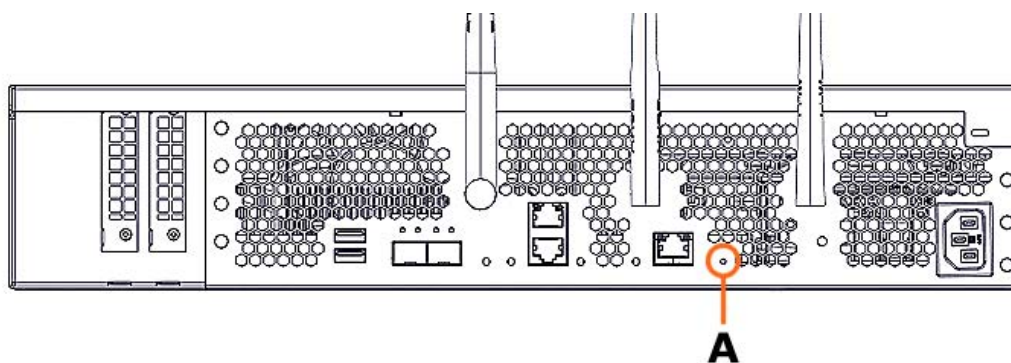
1. Power off the server

Note The power status LED blinks green when the server is powered off.

2. Push in the recovery button (A) using a pointed object and release

Important The recovery (REC) button should only be used as a last resort to load the BMC backup firmware. It will not be possible to connect to the host once the button is pressed.

 Rear view



3. Connect to the SHC of the BMC backup firmware

4. Connect to the server via SSH

5. Login as root

6. Transfer the BMC main firmware image file to the BullSequana Edge server

1. Locate the BMC main firmware image file on the external server or PC.
2. Check that the version is correct.
3. Manually copy the image file into the tmp folder on the BullSequana Edge server

7. Check the file has copied over correctly into the tmp folder

```
# ll /tmp/
```

```
-----  
-rw-r--r-- 1 root root <bytes> <date> <OMF_MIPCS_xx_xx_xxxx.qspi>  
-----
```

8. Update the BMC main firmware

Run:

```
# updatecs1_fw.sh /tmp/<OMF_MIPCS_xx_xx_xxxx.qspi>
```

9. Wait for the update completed message to appear

```
-----  
Initialization in progress...  
Update started...  
XXX+X records in  
XXX+X records out  
Update completed
```

Reboot the Management Controller on the updated Flash to take into account the new firmware

```
Done  
-----
```

10. Disconnect the power cable and replug it to go back to the BMC main firmware

Note The power status LED blinks green to indicate that the BMC is booted and the power status is off.

11. Power on the server to resume SHC operations

Note The power status LED is solid green when the server is on.

9.2. Resetting the BMC to the default factory settings

Important ATTENTION: Please read carefully the safety instructions before you perform the procedures described in this manual.

Multilingual Safety Notices Guide

C004  **CAUTION**

C004:

Static electricity can damage the server and other electronic devices. To avoid damage, keep static-sensitive devices in their static-protective packages until you are ready to install them.

To reduce the possibility of damage from electrostatic discharge, observe the following precautions:

Limit your movement. Movement can cause static electricity to build up around you.

Wear an electrostatic-discharge wrist strap.

Handle the device carefully, holding it by its edges or its frame.

Do not touch solder joints, pins, or exposed circuitry.

Do not leave the device where others can handle and damage it.

While the device is still in its static-protective package, touch it to an unpainted metal surface on the outside of the server for at least 2 seconds. This drains static electricity from the package and from your body.

Remove the device from its package and install it directly into the server without setting down the device. If it is necessary to set down the device, put it back into its static-protective package. Do not place the device on the server cover or on a metal surface.

Take additional care when you handle devices during cold weather.

Heating reduces indoor humidity and increases static electricity.

Important The BMC is reset to the default factory settings resulting in the loss of all customized settings.

The following settings are lost:

- Loss of the network configuration including both connection IP addresses (with gateway)
- Deletion of all BMC user accounts except the default account
- Reset of the default account password to its default value
- Loss of IPV4 custom route configuration
- Reset of the host name of the server to its default value
- Reset of the time and date and loss of the time server connections
- Loss of the rsyslog configuration
- Deletion of all events
- Deletion of all BMC logs and dumps previously collected
- Power policy settings

The BMC, BIOS and CPLD firmware running on the server are not impacted by the reset. There is no change in the firmware versions.

9.2.1. Resetting with the command line

Prerequisites

- The server BMC has an IP address allocated
- A laptop connected to the BullSequana Edge server

Procedure

1. Connect to the server via **SSH**.
2. Export the BMC credentials:

```
export bmc=<user>:<pwd>@<BMC IP>
```

Note Any BMC user account with administrator rights may be used.

3. Reset the BMC to the default factory settings:

```
curl -b cjar -k -H 'Content-Type: application/json' -X POST -d '{"data":[]}'  
https://${bmc}/xyz/openbmc_project/software/action/Reset
```

Note After the BMC reset to the factory settings, only the default user account with its default password can be used to connect to the BMC.

4. Connect to the SHC
5. From the **Control** tab, click **Reboot BMC**. The **Reboot BMC** page opens.

Reboot BMC

Current BMC boot status

BMC last reboot at **not available**

When you reboot the BMC, your web browser loses contact with the BMC for several minutes. When the BMC is back online, you must log in again. If the Log In button is not available when the BMC is brought back online, close your web browser. Then, reopen the web browser and enter your BMC IP address.

 Reboot BMC

6. Click the **Reboot BMC** button.

Note When the BMC is rebooted the browser loses contact with the BMC for several minutes. The log in procedure must be performed when the BMC is back online. If the log in button is not available, close the browser, reopen it and enter the BMC IP address.

Important **The date and time will be lost following a BMC reboot if they have been set manually. It is recommended to use NTP to set the date and time to preserve the settings when the BMC is rebooted.**

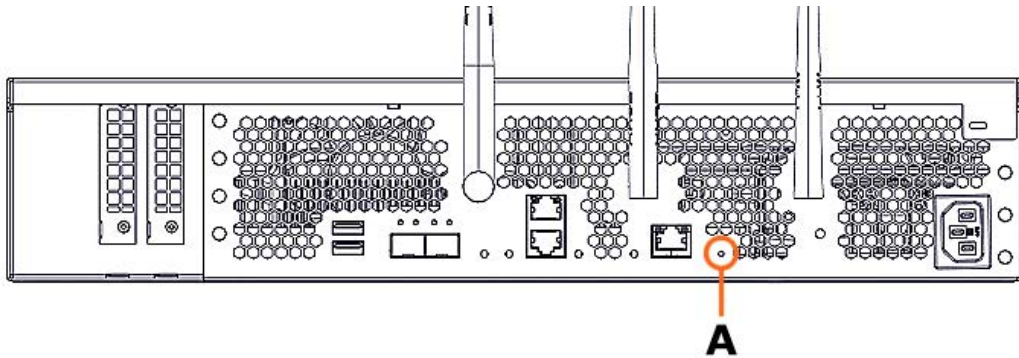
9.2.2. Resetting with the recovery (REC) button

Procedure

Push the recovery button (A) in using a pointed object and hold it in for more than 10 seconds before releasing.

The BMC resets to the default factory settings.

Rear view



The BMC reboots automatically.

9.3. Restarting the BMC HTTPS server

Prerequisites

- The server BMC has an IP address allocated
- A laptop connected to the BullSequana Edge server

Procedure

1. Log in as root through an SSH session on the BMC.
2. Restart the HTTPS server:

```
systemctl restart bmcweb
```

9.4. Rebooting the BMC

The following procedures explain how to reboot the BMC.

9.4.1. Rebooting with the Server Hardware Console (SHC)

See SHC Reference Guide for more information.

Prerequisites

- A laptop computer with the Chrome or Firefox browser installed
- The laptop is connected to the server BMC port
- The server BMC has an IP address allocated

Procedure

1. Connect to the SHC.
2. From the **Control** tab, click **Reboot BMC**. The **Reboot BMC** page opens.

Reboot BMC

Current BMC boot status

BMC last reboot at **not available**

When you reboot the BMC, your web browser loses contact with the BMC for several minutes. When the BMC is back online, you must log in again. If the Log In button is not available when the BMC is brought back online, close your web browser. Then, reopen the web browser and enter your BMC IP address.

 A rectangular button with a blue border and a circular refresh icon to the left of the text "Reboot BMC".

3. Click the **Reboot BMC** button.

Note When the BMC is rebooted the browser loses contact with the BMC for several minutes. The log in procedure must be performed when the BMC is back online. If the log in button is not available, close the browser, reopen it and enter the BMC IP address.

Important **The date and time will be lost following a BMC reboot if they have been set manually. It is recommended to use NTP to set the date and time to preserve the settings when the BMC is rebooted.**

9.4.2. Restarting with the Machine Intelligence System Management (MISM) console

See Management Console User's Guide for more information.

Prerequisites

- The laptop is connected to the server BMC port
- The server BMC has an IP address allocated
- The server power status is Off
- The MISM console is launched

Procedure

Important The date and time will be lost following a BMC reboot if they have been set manually. It is recommended to use NTP to set the date and time to preserve the settings when the BMC is rebooted.

1. Launch the **Reboot bmc** job.
2. Check that the job status is **Successful**.
If the job status is **Failed**, check the output of the job in the text window.
3. Launch the **Check BMC alive** job.
4. Check that the job status is **Successful**.
If the job status is **Failed**, check the output of the job in the text window.

Appendix A. Servicing the top aesthetic cover

A.1. Removing the top aesthetic cover

Required Tools

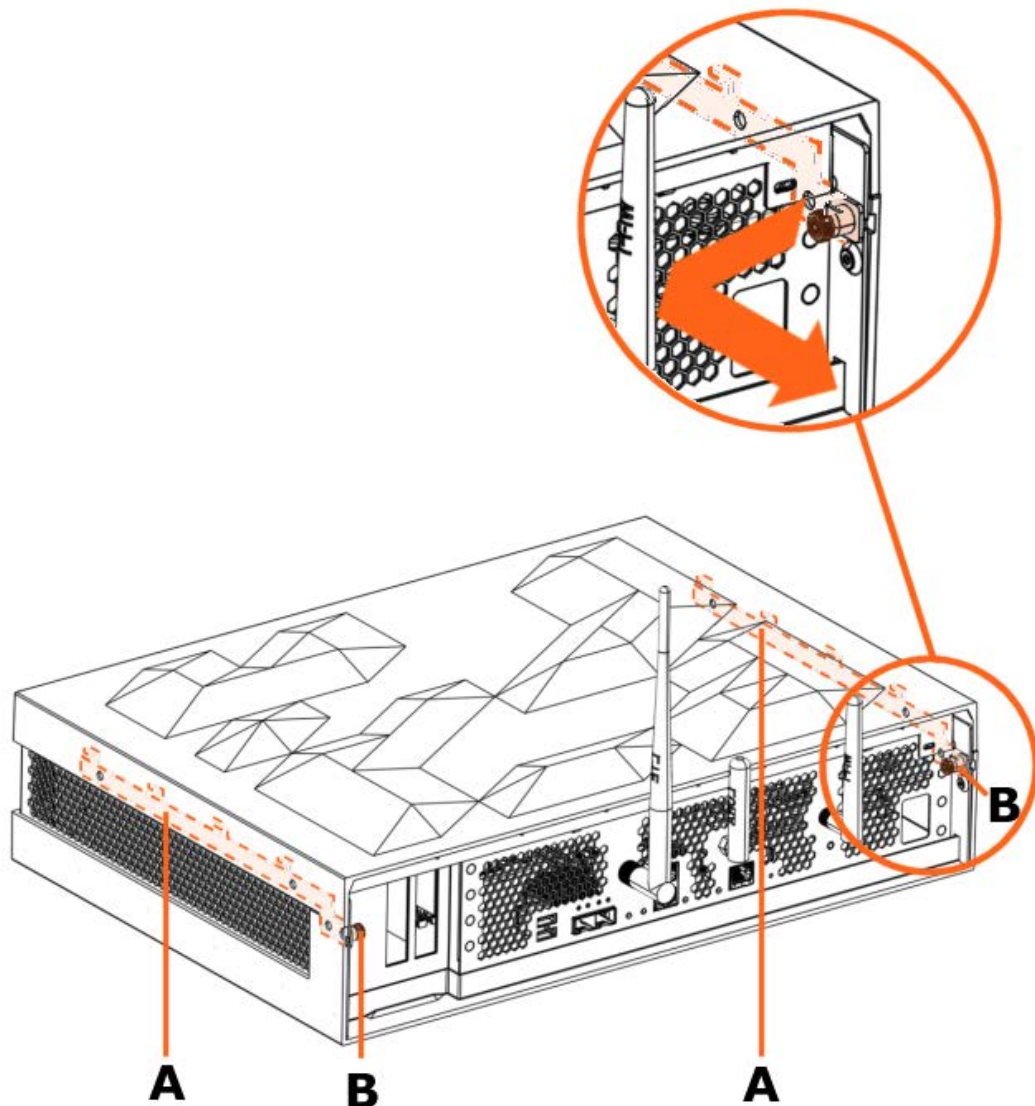
None

Procedure

1. Disengage the slide rails

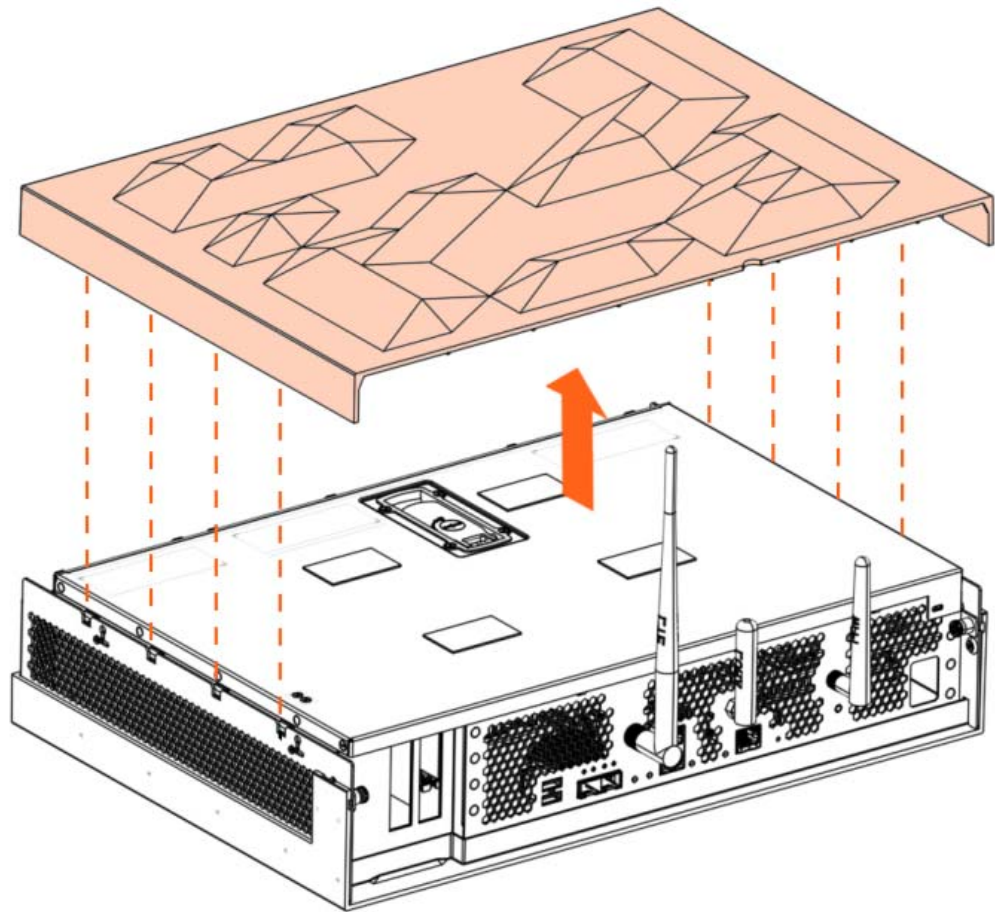
For each slide rail (A):

1. Pull and hold the plungers (B) out.
2. Pull the slide rail outwards using the plungers.
3. When the slide rail is disengaged, release the plungers.



2. Carefully lift the cover up

 **Rear view**



A.2. Installing the top aesthetic cover

Required Tools

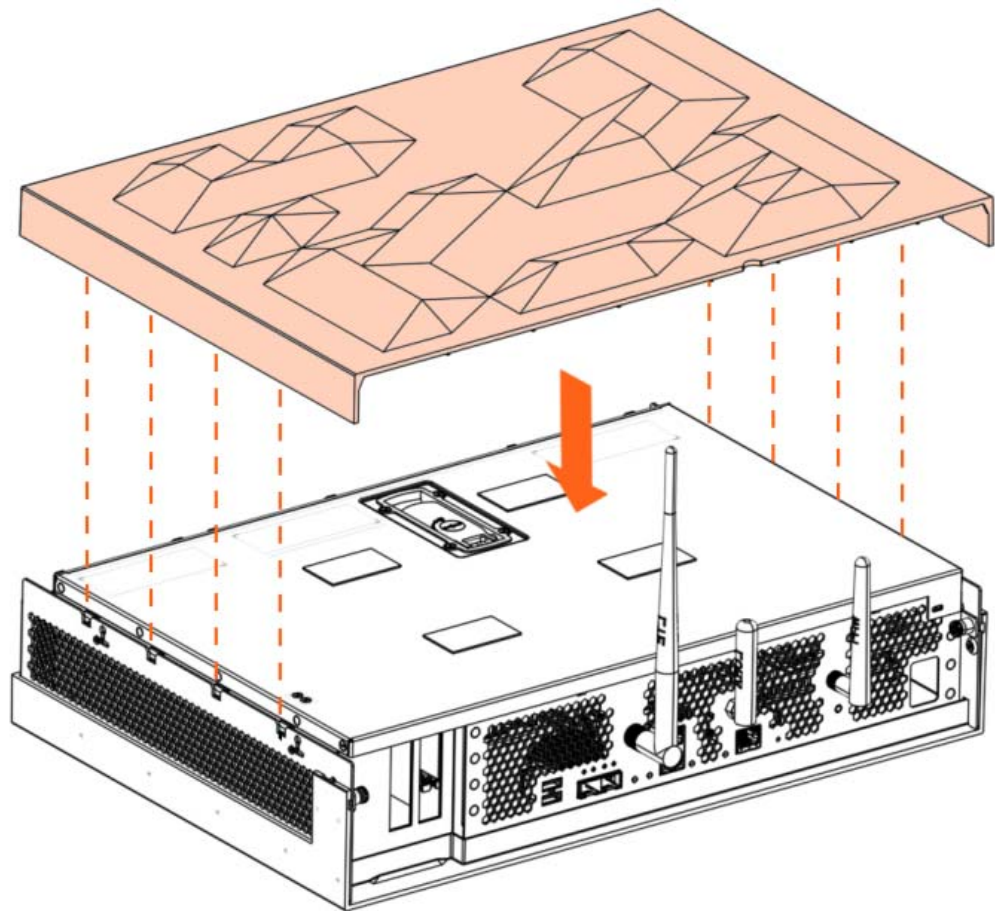
None

Procedure

1. Lower the aesthetic cover into place

Carefully lower the aesthetic cover into place using the bottom case slots.

 Rear view

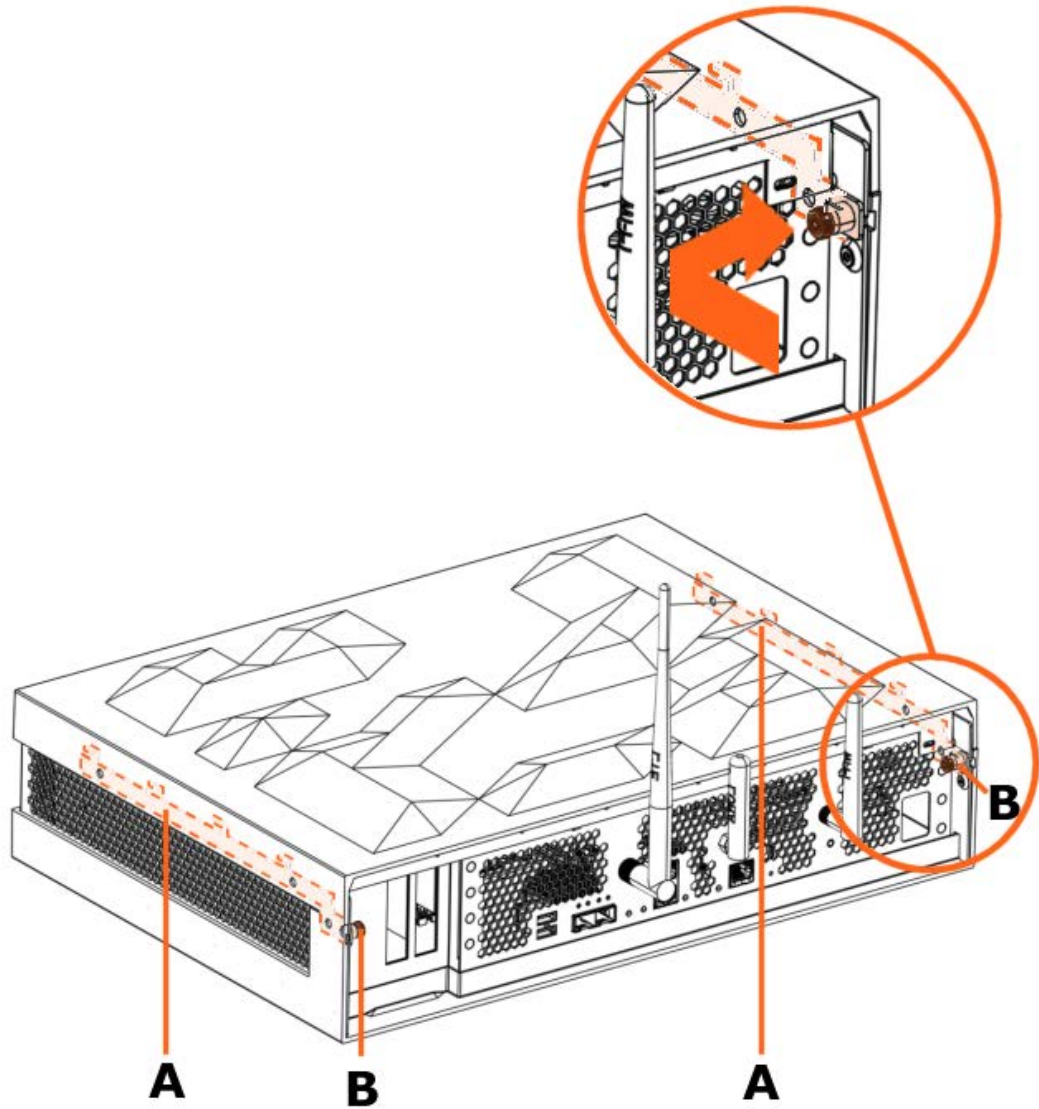


2. Lock the cover into place

For each slide rail (A):

1. Push the slide rail inwards using the plungers.
2. When the slide rail is engaged, release the plungers to lock into place.

 **Rear view**



Appendix B. Servicing fan filters

Important ATTENTION: Please read carefully the safety instructions before you perform the procedures described in this manual.

Multilingual Safety Notices Guide

C004  **CAUTION**

C004:

Static electricity can damage the server and other electronic devices. To avoid damage, keep static-sensitive devices in their static-protective packages until you are ready to install them.

To reduce the possibility of damage from electrostatic discharge, observe the following precautions:

Limit your movement. Movement can cause static electricity to build up around you.

Wear an electrostatic-discharge wrist strap.

Handle the device carefully, holding it by its edges or its frame.

Do not touch solder joints, pins, or exposed circuitry.

Do not leave the device where others can handle and damage it.

While the device is still in its static-protective package, touch it to an unpainted metal surface on the outside of the server for at least 2 seconds. This drains static electricity from the package and from your body.

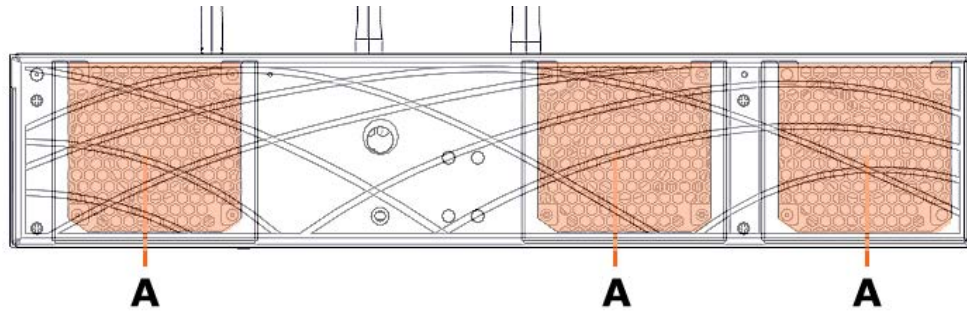
Remove the device from its package and install it directly into the server without setting down the device. If it is necessary to set down the device, put it back into its static-protective package. Do not place the device on the server cover or on a metal surface.

Take additional care when you handle devices during cold weather.

Heating reduces indoor humidity and increases static electricity.

B.1. Fan filter description

The fan filters are located behind the front bezel.



Mark	Description	Quantity
A	Fan filter	3

The filters must be checked regularly. They must be replaced if there are signs of dust on them and at least once every 12 months.

Air filters are not covered by warranty services and may be purchased from Atos in sets of three.

B.2. Removing a fan filter

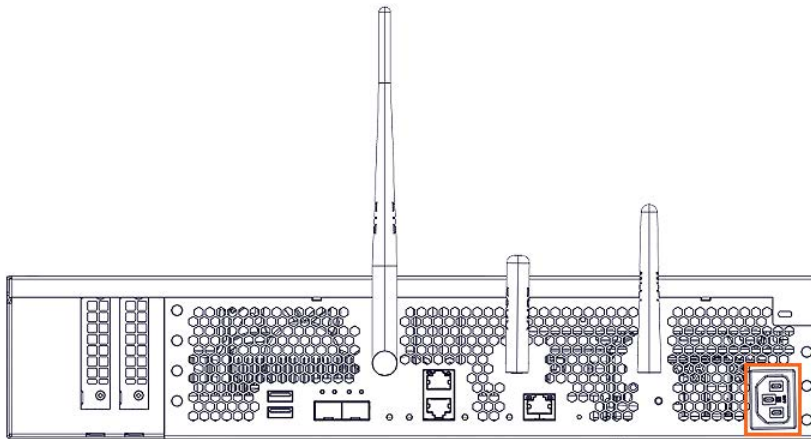
Required Tools

None

Procedure

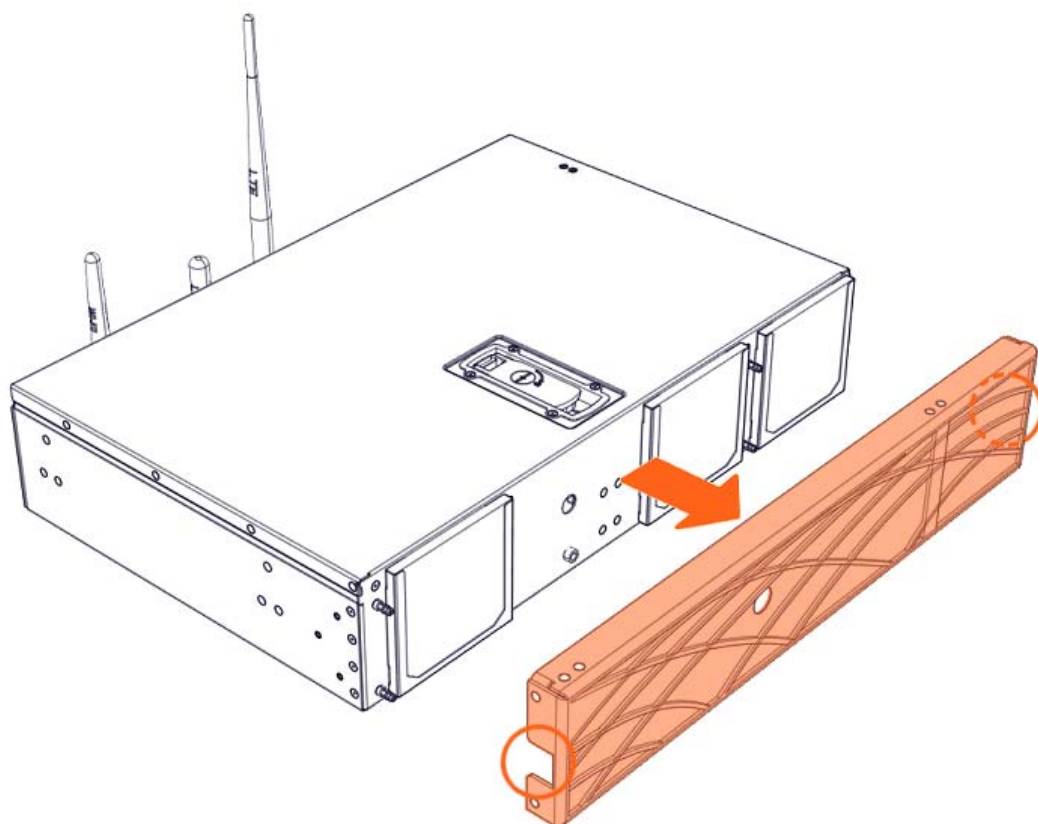
1. **Unpack the new component on a clean ESD-protected work surface**
2. **Power off the server**
3. **Disconnect the power supply cable**

 **Rear view**



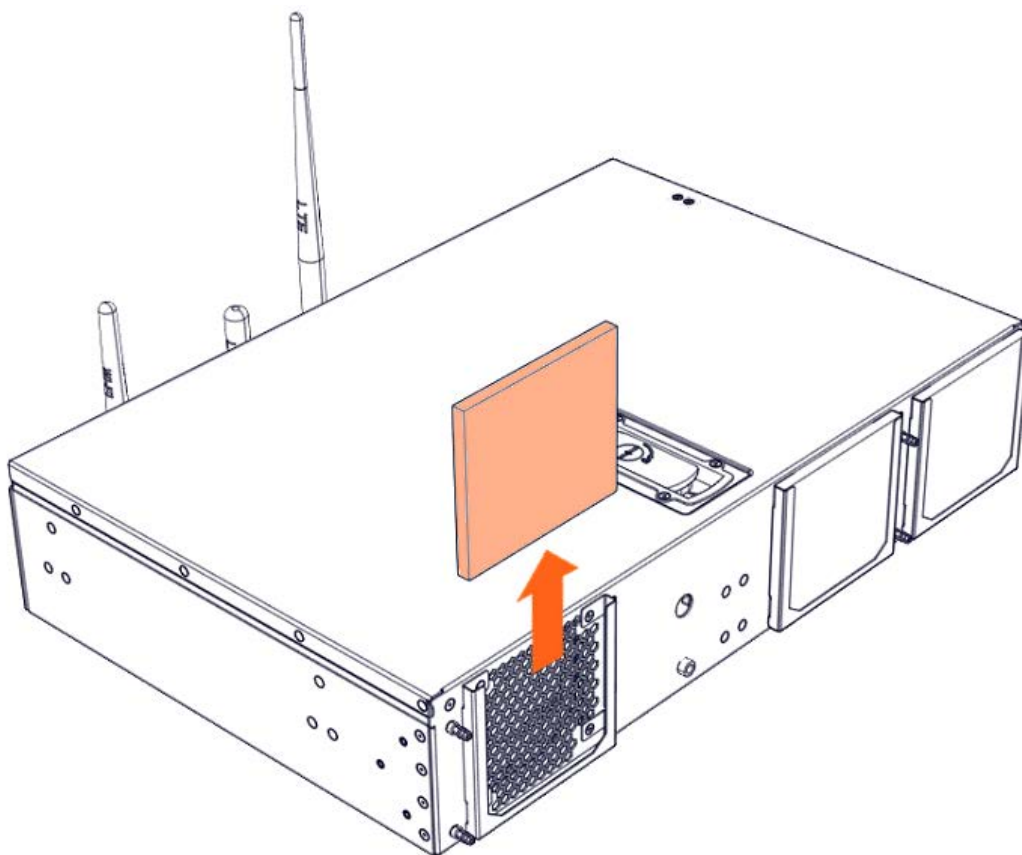
4. Remove the bezel

 Front view



5. Remove the fan filter

 Front view



B.3. Installing a fan filter

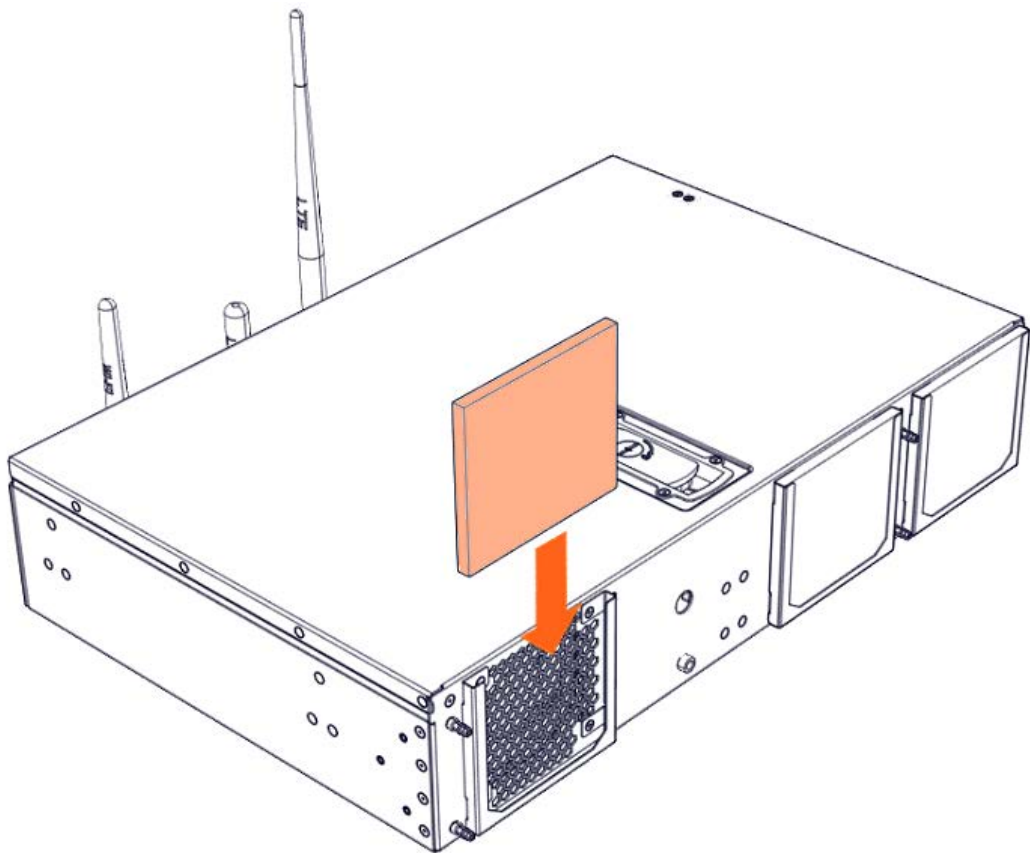
Required Tools

None

Procedure

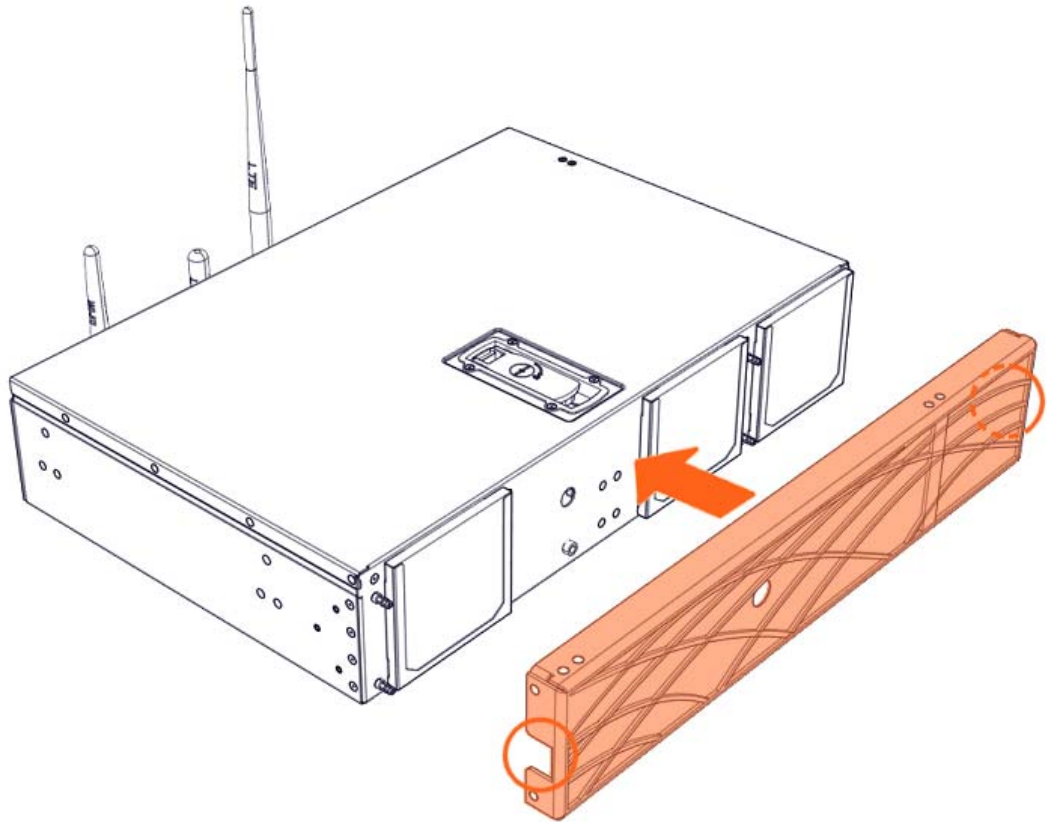
1. Take hold of the new component
2. Install the fan filter

 Front view



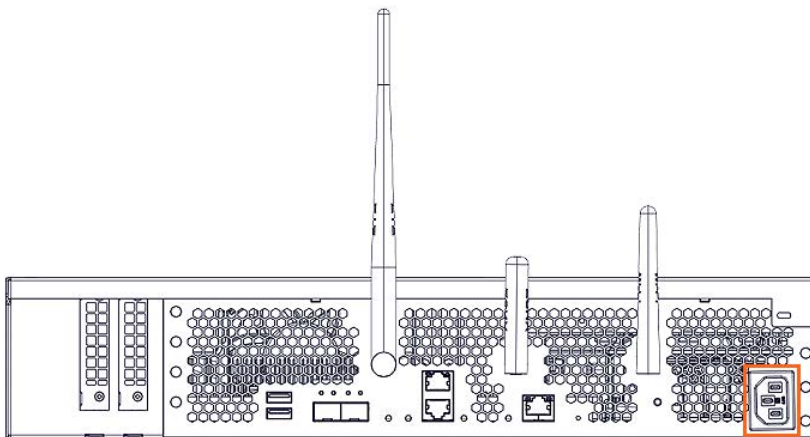
3. Install the bezel

 Front view



4. Connect the power supply cable

 Rear view



5. Power on the server

Bull Cedoc
357 avenue Patton
BP 20845
49008 Angers Cedex 01
FRANCE