



# TNVIP SE

**TNVIP SE (Server Extended) is a communications server which connects terminal emulator workstations to GCOS 7 and GCOS 8 Information Systems. It provides end-to-end TCP/IP connectivity between the workstation and the GCOS application. Its architecture is flexible and easily extensible, allowing the support of a large number of connections with an excellent performance level on several platforms: Windows, AIX and Linux.**

## Principal advantages

- Easy installation and configuration
- Excellent performances, thanks to the reduced communication layers
- Simple remote administration with most modifications taken into account dynamically (without stopping the server)
- Sizing is facilitated as it is dependent only on the power of the installation server
- TNVIP SE is well adapted to both small and large configurations due to its licensing mechanism (minimum number of licenses is 20)
- Two types of local dialogue allowing the re-use of emulator scripts in the case of migration
  - Text mode compatible with dataNet and MainWay
  - Grid mode compatible with TNVIP-AIX and TNVIP-NT
- Multi-platform support
- Detailed statistics on client and server connections, in a format compatible with Excel.

## Architecture

TNVIP SE has the same architecture for all platforms. It is composed of a TNVIP server which handles the emulator client connections and a Terminal Manager handling DSA connections to GCOS 7 and GCOS 8 applications.

Communications between the client workstations and TNVIP SE are effected using the TNVIP protocol which is an extension of the Telnet protocol.

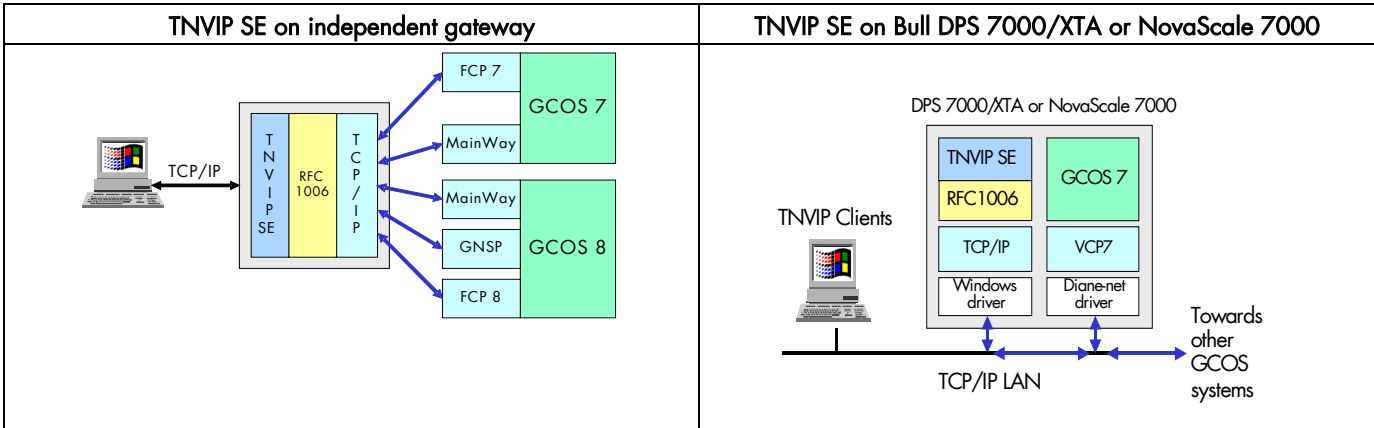
Communications between the Terminal Manager and the GCOS applications are effected using the DSA session on the RFC1006 transport.

The entire set of client-server connections function in the TCP/IP network from end-to-end.

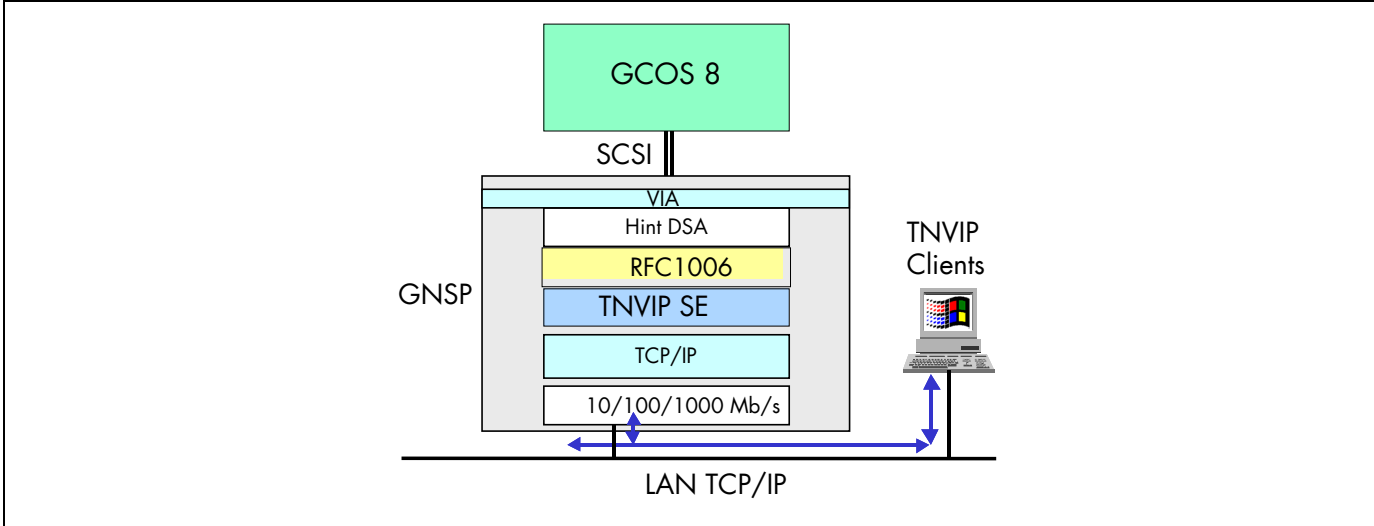
Remote administration can be carried out on the TCP/IP network using sockets on Windows, Telnet on AIX and SSH on Linux.



Architect of an Open World™



**TNVIP SE on GNSP (GCOS 8 Network Server Processor)**



ENVIRONMENT	FUNCTIONS
<p><b>TNVIP Server (for GCOS access)</b></p> <p>Bull TNVIP Server Extended Platforms supported :</p> <ul style="list-style-type: none"> <li>• Windows Server NT4 (SP6), 2000, 2003 on IA32</li> <li>• Windows Server 2003 on IA64</li> <li>• Windows Server 2003 on x64</li> <li>• AIX 4.3.3 or +, 32 bits and 64 bits</li> <li>• Linux RedHat 3 Update 8 or + on IA32, IA64, x64</li> <li>• Linux Suze SLES9 or + on IA32, IA64, x64</li> </ul> <p><b>Packaging</b></p> <p>1 CD for access to GCOS 7 and GCOS 8</p> <p><b>Licensing</b></p> <p>Licenses according to the number of simultaneous connections Temporary license for two months effective from the date of installation Possibility of defining licenses for a backup server</p> <p><b>Communications</b></p> <p>TCP/IP network Telnet on the client side DSA Session + RFC1006 on the GCOS server side</p>	<p><b>Communication gateway</b></p> <ul style="list-style-type: none"> <li>- Easy administration from the installation server or from a remote workstation in the TCP/IP network</li> <li>- Can be used by any emulator supporting the protocol Telnet VIP (RFC 1921)</li> <li>- Terminal models supported : VIP7700, VIP7760, VIP7001 DKU7005, DKU7007D, DKU7105, DKU7107D, DKU7211, DKU7211D VIP7804, VIP7804V, VIP7814 HDS7 VIP7800</li> <li>- MainWay style features: <ul style="list-style-type: none"> <li>- Compatible local dialogue</li> <li>- Access possible via a standardized mailbox</li> <li>- Definition of dynamic mailbox with limited access</li> </ul> </li> <li>- Statistics function for: <ul style="list-style-type: none"> <li>- Client connections</li> <li>- GCOS screen connections</li> <li>- GCOS printer connections</li> </ul> </li> <li>- Possibility of limiting access to a resource to a given workstation</li> </ul>

For further details, please contact your commercial interface or the NovaScale GCOS Competence Center.

©Bull SAS March 2007

Bull acknowledges the right of the proprietary trademarks contained herein. Bull reserves the right to modify this document at any time without notice. Some offers or part of offers described in this document may not be available in your country. Please contact your local Bull correspondent for information regarding the offers that may be available in your country.

Bull – rue Jean Jaurès - 78340 Les Clayes sous Bois – France  
UK: Bull Maxted Road, Hemel Hempstead, Hertfordshire HP2 7DZ  
USA: Bull 300 Concord Road, Billerica, MA 01821